



Dilos/Fulos ED.02

Loadbreak disconnectors
Fused loadbreak disconnectors



GE imagination at work

Benefits	A
Order codes	B
Technical data	C
Installation facilities	D
Dimensions	E
Numerical Index	X



Dilos Loadbreak disconnectors 16A up to 4000A
Fulos Fused loadbreak disconnectors 125A up to 1000/1250A

The new generation of loadbreak disconnectors Dilos, the fused execution Fulos and the changeover switches meet today's tertiary and industrial market needs.

Featuring superior technical performance, the switches satisfy the requirements of all modern low voltage installations of which the short-circuit level can now be calculated rapidly, reliable and durable at each level in the installation with adapted software (Procera Plus....).

They comply with the latest specifications and safety requirements such as visible contact indication, positive contact indication (PCI), quick make and quick break operation, independent opening and closing mechanism, by-pass and padlocking features, auxiliary contacts, etc.

The concept integrates the requirements of installers and panelbuilders: fast and easy installation, reliable and durable connections.

Features

- Complete choice of current ratings
- In Dilos from 16A up to 4000A
- In Fulos from 125A up to 1000A/1250A
- Compact moulded body with transparent cover (visible contacts)
- Universal mechanism (unambiguous)
- Clear "ON/OFF" indication
- Double break contacts with separate arcing contacts
- Padlocking in "OFF" - position up to three padlocks
- Very high short-circuit resistance
- Extension shaft with defeat mechanism and positive contact indication

Applications

Dilos and Fulos switches can be utilised as:

- main switch
- outgoing switch
- incoming switch
- coupling switch

The compact design allows easy mounting in all types of enclosures, distribution boards and industrial panels.



Complete range

Dilos

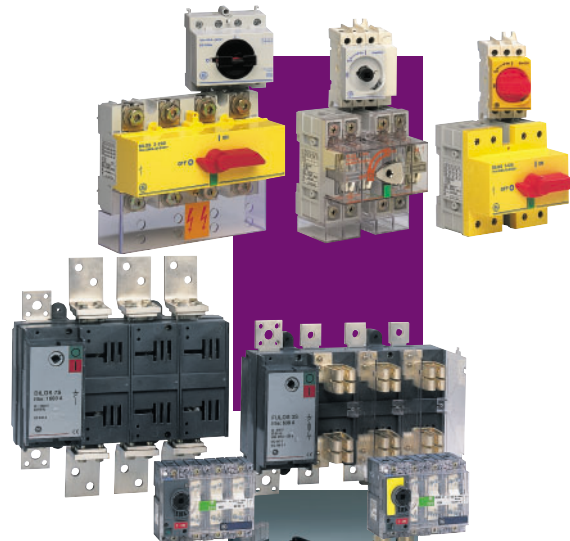
Rated current (A)	16	25	32	40	63	80	100	125	160	200	250	315	400	630	800	1000	1250	1600	2000	2500	3150	4000	
DIN-rail and Wall mounted		Dilos 00			Dilos 0			Dilos 1		Dilos 2													
Wall mounted				Dilos 1H				Dilos 3			Dilos 4		Dilos 6S		Dilos 7S		Dilos 8S		Dilos 9S				

Fulos

Rated current (A)	16	25	32	40	63	80	100	125	160	200	250	315	400	630	800	1000	1250	1600	2000	2500	3150	400		
Wall mounted	Fulos 000 / NH-000																							
							Fulos 00																	
						Fulos 1 / NH-1																		
								Fulos 2 / NH-2																
												Fulos 3S / NH-3												
													Fulos 4 / NH-4											

Two systems

- **DIN-rail** type disconnectors from 16A up to 200A
The most complete range in the market
Easy to install
- **Wall mounted** disconnectors from 40A up to 4000A and fused disconnectors from 125A up to 1250A



Complete range of accessories

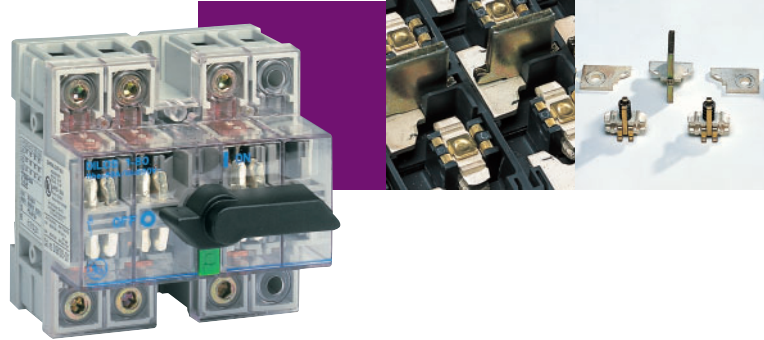
which are mostly common for all disconnectors

- Outside auxiliary contacts (simultaneously with main contact)
- Inside auxiliary contact (anticipated with main contact)
- Rotary handles (padlockable) with extension shafts
- Changeover systems
- Terminal covers



High performances

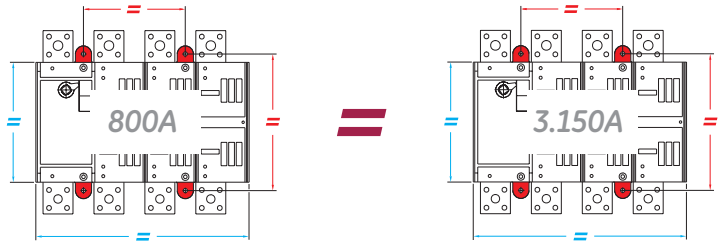
All disconnectors have double interruption on the four contact points to reach **high short-circuit resistance**



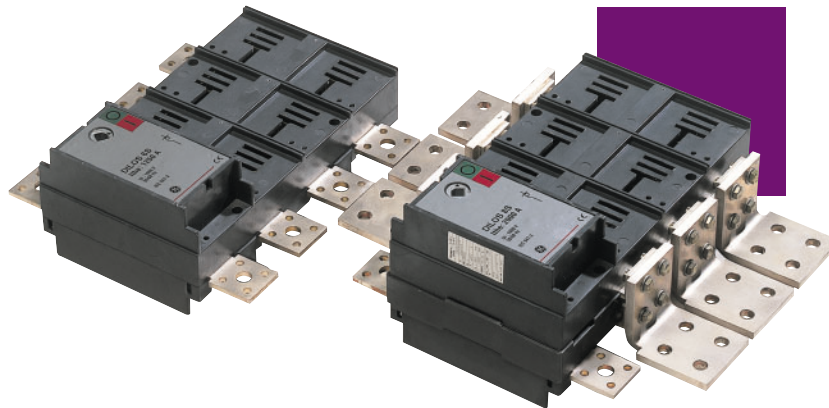
Easy to install

Disconnectors **Dilos S** (800A-3150A) and **Fulos 3S**

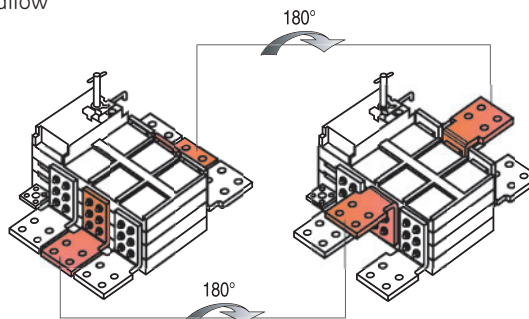
- One frame size (one dimension)
- Same fixation points for the installer
- Most compact size in the market



Unique layer system with **terminal connection** always at the same depth (800 up to 2500A)



The terminal connections (1600A-2500A) are symmetrical and can be turned 180° to allow **easy installation of current transformers**

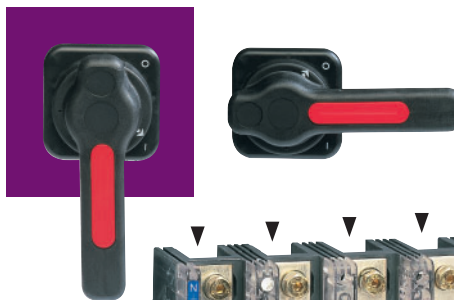


Safe and reliable

Visible contacts and disconnect functions



Independent opening and closing
 (quick make-quick brake),
 no intermediate position of the handle is possible



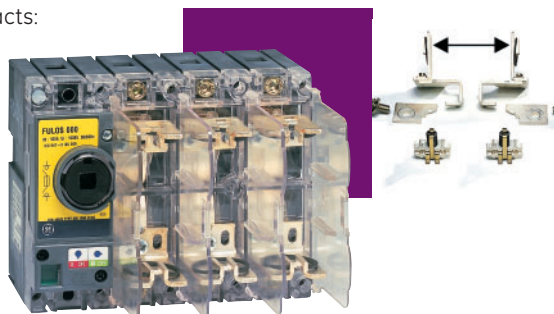
The power source for all disconnectors may be upstream or downstream



All disconnectors have a **defeat mechanism**



Fused disconnectors have double contacts:
replacement of the fuses
 is possible without any danger
 in OFF position and dead.



Benefits

A

B

C

D

E

X

Just rel

- B.2 **Dilos 00 - Dilos 0** - Loadbreak disconnectors 16A up to 63A
- B.6 **Dilos 1 - Dilos 2** - Loadbreak disconnectors 40A up to 200A
- B.6 **Elos** - Loadbreak disconnectors 63A up to 125A
- B.10 **Dilos 1H - Dilos 3 - Dilos 4** - Loadbreak disconnectors 40A up to 630A
- B.16 **Dilos 6S** - Loadbreak disconnectors 800A up to 1250A
- B.18 **Dilos 7S - Dilos 8S** - Loadbreak disconnectors 1600A up to 2500A
- B.20 **Dilos 9S - Dilos 9** - Loadbreak disconnectors 3150A/4000A

- B.23 **Fulos 000 DIN - NF - BS** - Fused loadbreak disconnectors 100A/125A
- B.26 **Fulos 00 DIN - BS** - Fused loadbreak disconnectors 160A/200A
- B.30 **Fulos 1 DIN - BS** - Fused loadbreak disconnectors 250A/200A
- B.30 **Fulos 2 DIN - BS** - Fused loadbreak disconnectors 400A
- B.34 **Fulos 3S DIN - BS** - Fused loadbreak disconnectors 630A
- B.36 **Fulos 4 DIN - BS** - Fused loadbreak disconnectors 800A up to 1250A

- B.38 **Dilos BA** - Loadbreak disconnectors with tripping device
- B.38 **Fulos BA** - Fused and loadbreak disconnectors with tripping device
- B.40 **Dilos MO** - Motorised loadbreak disconnectors
- B.40 **Fulos MO** - Motorised fused loadbreak disconnectors
- B.40 **CO-Dilos MO** - Motorised changeover loadbreak disconnectors
- B.44 **CO-Dilos** - Manual changeover loadbreak disconnectors
- B.44 **6P Dilos - 6P** loadbreak disconnectors

Benefits

Order codes

Technical data

Installation facilities

Dimensions

Numerical Index

A

B

C

D

E

X

y on us



Loadbreak disconnectors for DIN-rail, wall and door mounting



Dilos 00 - 16A up to 40A
Dilos 0 - 32A up to 63A



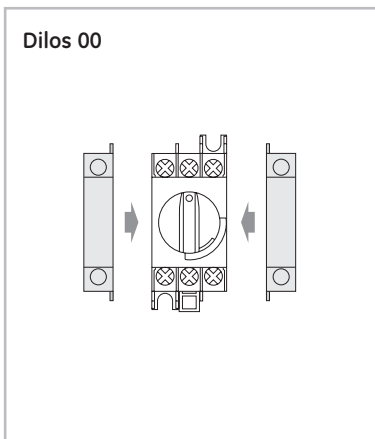
Applications



Approvals / Marking



Add-on devices



Performance

- DIN-rail type
- Disconnect function
- Complete range of add-on devices
- Double knife contacts for Dilos 0
- Number of poles 2P - 3P - 4P
- Mounting:
 - Dilos 00 DIN-rail / panel / wall
 - Dilos 0 DIN-rail / wall
- Box terminals
- Padlockable

Standards



IEC 60947-1 and IEC 60947-3, DIN VDE 0660 Teil 107,
BS EN 60947-3, CEI 17-11 (Fasc. 1039), EN 60947-3,
NBN EN 60947-3, NF C 63-130
Safety disconnector (red/yellow) according to DIN VDE 0113 Teil 1

Technical data

	Dilos 00	Dilos 0
Rated thermal current	16A-40A	32A-63A
Rated operational voltage	690V	415V
Peak short withstand circuit current	6kA	10kA
Terminal capacity (Cu)	1.5 - 16 mm ²	2.5 - 25 mm ²

- Technical data ● pg. C.2
- Installation facilities ● pg. D.2
- Dimensions ● pg. E.2

Dilos 00 - DIN-rail disconnectors - 2 modules

		Description	In (A)	Cat. no.	Ref. no.	Pack.
 <p>Standard grey</p> <p>3P</p>		With padlockable rotary handle	16	D/061301-201	730984	1
			25	D/061302-201	730986	1
			32	D/061303-201	730988	1
			40	D/061304-201	730990	1
 <p>Safety</p> <p>3P</p>		Red/yellow, according to DIN VDE 0113 Teil 1 With padlockable rotary handle	16	D/061301-203	731404	1
			25	D/061302-203	731407	1
			32	D/061303-203	731410	1
			40	D/061304-203	731413	1

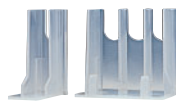
Accessories

	<p>Switched neutral module</p> <p>To be added on one side</p>	<p>D/061903-104 731004 1</p> <p>For 16A</p> <p>D/061903-204 731006 1</p> <p>For 25A</p> <p>D/061903-304 731012 1</p> <p>For 32A</p> <p>D/061903-404 731014 1</p> <p>For 40A</p>	<p>Handles for cover or hinged door</p> <p>IP65, with door interlock</p> <p>D/061900-601 730996 1</p> <p>Black padlockable rotary handle</p> <p>Extension shaft of 305 mm</p> <p>D/061900-603 730997 1</p> <p>Red/yellow padlockable rotary handle</p> <p>Extension shaft of 305 mm</p>					
		<p>Fixed neutral module</p> <p>To be added on one side</p>	<p>D/061903-205 731007 1</p> <p>For 16A-40A</p>		<p>Handle for cover or hinged door</p> <p>IP54, without door interlock</p> <p>D/061900-501 730992 1</p> <p>Black rotary handle</p> <p>Extension shaft of 305 mm</p> <p>Not to be used as main switch</p>			
			<p>Earth module</p> <p>To be added on one side</p>		<p>D/061903-206 731008 1</p> <p>For 16A-40A</p>		<p>Terminal covers</p> <p>D/061902-220 731002 1</p> <p>3P</p> <p>D/061902-221 731003 1</p> <p>1P</p>	
					<p>Auxiliary contact</p> <p>To be added on one side</p> <p>D/061901-202 731000 1</p> <p>1 NO/NC</p> <p>Ith = 10A at 230V</p>			

Dilos 00 - Disconnectors for door mounting - 2 modules

Standard grey	Description	In (A)	Cat. no.	Ref. no.	Pack.
 3P	Without handle	16	D/061301-251	730985	1
		25	D/061302-251	730987	1
		32	D/061303-251	730989	1
		40	D/061304-251	730991	1

Accessories

	Switched neutral module To be added on one side	Handles IP65 D/061900-651 730998 1 Black padlockable rotary handle D/061900-653 730999 1 Red/yellow padlockable rotary handle	
	D/061903-154 731005 1 For 16A	Terminal covers For DIN-rail and door mounting D/061902-220 731002 1 3P D/061902-221 731003 1 1P	
	D/061903-254 731009 1 For 25A		
	D/061903-354 731013 1 For 32A		
	D/061903-454 731015 1 For 40A		
Fixed neutral module To be added on one side D/061903-255 731010 1 For 16A-40A			
Earth module To be added on one side D/061903-256 731011 1 For 16A-40A			
Auxiliary contacts To be added on one side D/061901-252 731001 1 1 NO/NC Ith = 10A at 230V			

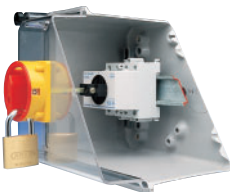

Rear view Dilos 00 + switch neutral module (4th pole)

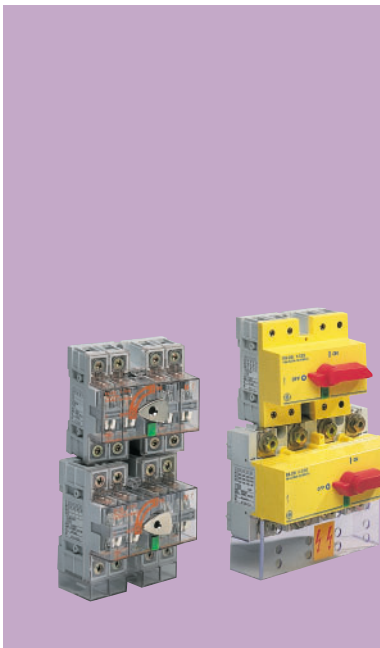


Dilos 0 - DIN-rail disconnectors - 4 modules

Standard grey With padlockable rotary handle		Description	In (A)	Cat. no.	Ref. no.	Pack.
2P			32	V/333-013732	652017	1
			40	V/333-013742	652021	1
			63	V/333-013762	652025	1
3P			32	V/333-013733	652018	1
			40	V/333-013743	652022	1
			63	V/333-013763	652026	1
4P			32	V/333-013734	652019	1
			40	V/333-013744	652023	1
			63	V/333-013764	652027	1
3P+NF		Fixed neutral	32	V/333-013736	652020	1
			40	V/333-013746	652024	1
			63	V/333-013766	652028	1

Accessories

	Handles for cover or hinged door IP65 V/333-013721 652062 1 Standard rotary handle Extension shaft of 238 mm	
	Terminal covers V/333-013760 652016 1 Sealable Set of 2 pieces	
	Handles for cover or hinged door V/333-013723 652063 1 Red/yellow padlockable rotary handle (max. three padlocks Ø 9 mm) Extension shaft of 238 mm and frontplate	



Loadbreak disconnectors for DIN-rail and wall mounting

Dilos 1 - 40A up to 125A
Dilos 2 - 160A up to 200A
Elos - 63A up to 125A



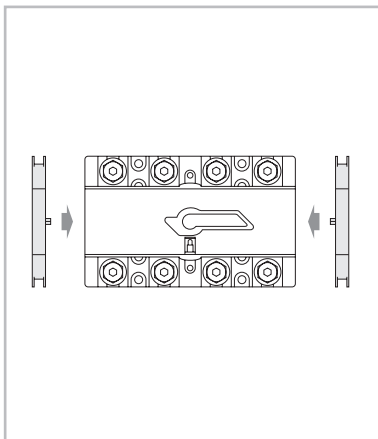
Applications



Approvals / Marking



Add-on devices



Performance

DIN-rail mounting and wall mounting
 Main disconnector, safety disconnector
 Disconnect function
 Visible contact indication - transparent contact cover
 Quick make and quick break mechanism
 Independent opening and closing
 Positive contact indication (PCI)
 Double knife contacts - high short-circuit resistance
 Number of poles 2P - 3P - 4P
 Box terminals with inbus screws
 Padlockable

Standards

IEC 60947-1 and IEC 60947-3, DIN VDE 0660 Teil 107,
 BS EN 60947-3, CEI 17-11 (Fasc. 1039), EN 60947-3,
 NBN EN 60947-3, NF C 63-130, UL 508
 Safety disconnector (red/yellow) according to DIN VDE 0113 Teil 1

Technical data

	Dilos 1	Dilos 2	Elos
Rated thermal current	40A - 125A	160A - 200A	63A - 125A
Rated operational voltage Ue	690V	690V	690V
Rated insulation voltage Ui	690V	690V	690V
Peak short withstand circuit current	10kA	10kA	10kA
Rated short-circuit current	50kA	50kA	50kA
High 1s rated short time withstand Icw	3kA	3kA	3kA
Terminal capacity (Cu)	6 - 50 mm ²	Cu-rail 20x6	6 - 50 mm ²

Technical data ● pg. C.2
 Installation facilities ● pg. D.5
 Dimensions ● pg. E.2

Dilos 1 - DIN-rail disconnectors - 5 modules

Standard transparent
With padlockable rotary handle



	Description	In (A)	Cat. no.	Ref. no.	Pack.
2P		40	D/061212-201	730004	1
		63	D/061214-201	730008	1
		80	D/061215-201	730012	1
		100	D/061216-201	730016	1
		125	D/061217-201	730020	1
3P		40	D/061312-201	730049	1
		63	D/061314-201	730055	1
		80	D/061315-201	730061	1
		100	D/061316-201	730067	1
		125	D/061317-201	730073	1
4P		40	D/061412-201	730117	1
		63	D/061414-201	730123	1
		80	D/061415-201	730129	1
		100	D/061416-201	730135	1
		125	D/061417-201	730141	1
3P+NF	Fixed neutral	40	D/061512-201	730185	1
		63	D/061514-201	730189	1
		80	D/061515-201	730193	1
		100	D/061516-201	730197	1
		125	D/061517-201	730201	1

Safety



3P	Red/yellow, according to DIN VDE 0113 Teil 1	40	D/061312-203	730050	1
		63	D/061314-203	730056	1
		100	D/061316-203	730068	1
		125	D/061317-203	730074	1
4P	Red/yellow, according to DIN VDE 0113 Teil 1	40	D/061412-203	730118	1
		63	D/061414-203	730124	1
		100	D/061416-203	730136	1
		125	D/061417-203	730142	1

Accessories

Handles for cover of hinged door

IP65 - Padlockable



D/061910-002	730255	1
Black - H = 55 mm		
Extension shaft L = 200 mm		
D/061910-012	730257	1
Red/yellow - H = 55 mm		
Extension shaft L = 200 mm		
D/061910-004	730256	1
Black - H = 55mm		
Extension shaft L = 400 mm		
D/061910-014	730258	1
Red/yellow - H = 55 mm		
Extension shaft L = 400 mm		

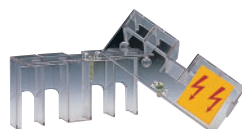
Padlocking device (Ø max 8 mm)

D/061900-020	730250	1
For three padlocks		



Terminal covers

D/061912-020	731024	1
Transparent, sealable		
Set of 2 pieces		
(not for additional Al-cable terminals)		



Terminals

Al/Cu 35 mm²

D/061912-013	731415	1
Set of 3 terminals		
D/061912-014	731416	1
Set of 4 terminals		



Auxiliary contacts

To mount on the right side

D/061901-001	730252	1
1P CO		
D/061901-002	730253	1
2P CO		



Bar or cable lug connection

D/061912-004	730260	1
Conv. set 4P + terminal cover.		
For connecting cable lugs or bars		
Max. W = 15 mm		



Inbus key

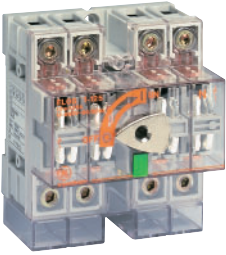
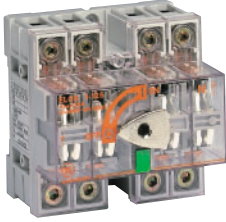
D/061000-097	730000	1
Insulated S5 - L = 200 mm		



Elos - DIN-rail loadbreak disconnectors - 5 modules

Transparent
Without rotary handle

4P



Description	In (A)	Cat. no.	Ref. no.	Pack.
For electricity boards	63	D/061421-200	730806	1
	100	D/061420-200	730805	1
	125	D/061419-000	730144	1
With bottom cable protection IP20	125	D/061419-021	731466	1

Accessories



Cable protection		
D/061912-021	731467	1
IP20		

Padlocking device (Ø max 8 mm)		
D/061900-020	730250	1
For three padlocks		
Inbus key		
D/061000-097	730000	1
Insulated S5 - L = 200 mm		



Order codes

A

B

C

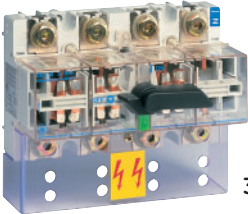

D

E

X



Dilos 2 - DIN-rail loadbreak disconnectors - 8 modules

		Description	In (A)	Cat. no.	Ref. no.	Pack.	
Transparent With padlockable rotary handle incl. terminal covers 1h. 2P 	3P		160	D/061224-201	730034	1	
			200	D/061226-201	730042	1	
	4P		160	D/061324-201	730088	1	
			200	D/061326-201	730096	1	
	3P+NF	Fixed neutral	160	D/061424-201	730157	1	
			200	D/061426-201	730165	1	
	Safety With padlockable rotary handle incl. terminal covers 1h. 3P 	3P	Red/yellow, according to DIN VDE 0113 Teil 1	160	D/061324-203	730089	1
					200	D/061326-203	730097
4P		Red/yellow, according to DIN VDE 0113 Teil 1	160	D/061424-203	730158	1	
			200	D/061426-203	730166	1	

Accessories

	Handles for cover of hinged door IP65 - Padlockable		Mantle terminals Ø max 14 mm				
	D/061910-002	730255	1	D/061922-003		730261	1
	Black - H = 55 mm			Set of 3 pieces			
	Extension shaft L = 200 mm	D/061922-004	730262	1			
	D/061910-012	730257	1	Set of 4 pieces			
	Red/yellow - H = 55 mm						
Extension shaft L = 200 mm	D/061910-004	730256	1				
Black - H = 55 mm							
Extension shaft L = 400 mm	D/061910-014	730258	1				
Red/yellow - H = 55 mm							
Extension shaft L = 400 mm							
			Auxiliary contacts To mount on the right side				
			D/061901-001	730252		1	
			1P CO				
			D/061901-002	730253	1		
			2P CO				
	Padlocking device (Ø max 8 mm)		Wire connections				
	D/061900-020	730250	1	D/061922-030		730281	1
For three padlocks			10 Faston tabs 6.3 x 0.8 mm				
			for 2.5 mm ² connections				
	Terminal cover		Inbus key				
	D/061922-020	730263	1	D/061000-097		730000	1
			Insulated S5 - L = 200 mm				



Loadbreak disconnectors for wall mounting

Dilos 1H - 40A up to 125A
Dilos 3 - 160A up to 315A
Dilos 4 - 400A up to 630A



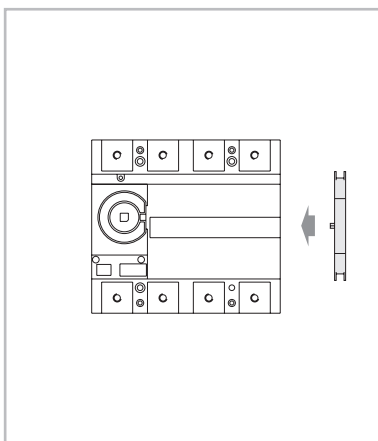
Applications



Approvals / Marking



Add-on devices



Performance

- Wall mounting
- Main disconnector, safety disconnector
- Disconnect function
- Visible contact indication - transparent cover
- Quick make and quick break mechanism
- Independent opening and closing
- Positive contact indication (PCI)
- Defeat mechanism rotary handle
- Double knife contacts - high short-circuit resistance
- Number of poles 3P - 4P
- With changeover system

Standards

IEC 60947-1 and IEC 60947-3, DIN VDE 0660 Teil 107,
 BS EN 60947-3, CEI 17-11 (Fasc. 1039), EN 60947-3,
 NBN EN 60947-3, NF C 63-130, UL 508
 Safety disconnector (red/yellow) according to DIN VDE 0113 Teil 1



Technical data

	Dilos 1H	Dilos 3	Dilos 4
Rated thermal current	40A - 125A	160A - 315A	400A - 630A
Rated operational voltage Ue	690V	690V	690V
Rated insulation voltage Ui	1000V	1000V	1000V
Peak short withstand circuit current	10kA	30kA	60kA
Rated short-circuit current	50kA	100kA	100kA
High 1s rated short time withstand Icw	3kA	9kA	20kA
Terminal capacity (Cu)	6 - 50 mm ²	Cu-rail 30x6	Cu-rail 2x40x6

- Technical data ● pg. C.4
- Installation facilities ● pg. D.5
- Dimensions ● pg. E.3



Dilos 1H - Loadbreak disconnectors for wall mounting

Standard transparent		Description	In (A)	Cat. no.	Ref. no.	Pack.
	3P	Without handle	40	D/061330-201	730454	1
			63	D/061331-201	730457	1
			125	D/061333-201	730460	1
	3P+N	Without handle	40	D/061430-201	730482	1
			63	D/061431-201	730485	1
			125	D/061433-201	730488	1
	3P+NF	Without handle Fixed neutral	40	D/061530-201	730510	1
			63	D/061531-201	730513	1
			125	D/061533-201	730516	1
Safety						
	3P	Yellow label, according to DIN VDE 0113 Teil 1 Without handle	40	D/061330-203	730455	1
			63	D/061331-203	730458	1
			125	D/061333-203	730461	1
	3P+N	Yellow label, according to DIN VDE 0113 Teil 1 Without handle	40	D/061430-203	730483	1
			63	D/061431-203	730486	1
			125	D/061433-203	730489	1

Accessories for Dilos 1H

	Direct handles		Handles for cover or hinged door				
	D/061940-252	731538	1	IP65 - Padlockable - Defeat			
	Low grey		With extension shaft 300 mm (8/8)				
	D/061940-253	731539	1				
	Low red		D/062920-201	730661		1	
			Black				
	D/061940-211	730649	1	D/062920-203		730662	1
	Grey, padlockable		Red/yellow				
	D/061940-213	730650	1	D/062920-221		730663	1
	Red, padlockable		Black with keylockable plug-in (Ronis 1104)				
D/061940-231	730651	1	D/062920-223	730664	1		
Grey, keylockable and padlockable (Keylock not included)		Red/yellow with keylockable plug-in (Ronis 1104)					
D/061940-233	730652	1	D/062920-281	730853	1		
Red, keylockable and padlockable (Keylock not included)		Special set for disconnector with neutral on the right, black					
		D/062920-283	730854	1			
		Special set for disconnector with neutral on the right, red/yellow					
Handles for inner door		Key lock		Inbus key			
IP65 - Padlockable		D/769080-000	769080	1	D/061000-097	730000	1
With extension shaft 300 mm		Plug-in for handles (Ronis 1104)		Insulated S5 - L = 200 mm			
Reduced height = 55 mm							
D/062927-202	731056	1					
Black							
D/062927-203	731351	1					
Red/yellow							

Accessories Dilos 1H (continued)



Changeover system (I-O-II)
 With extension shaft 300 mm,
 padlockable handle, gasket,
 flange and template IP65 - defeat

D/062910-205 | **730655** | 1

With grey handle

D/062910-207 | **731347** | 1

With red handle

As above but with handle 55 mm height -
 for inner door

D/062927-265 | **731453** | 1

With black handle

D/062927-267 | **731552** | 1

With red handle



6P/8P-system (I-O)
 With extension shaft 300 mm,
 padlockable handle, gasket,
 flange and template IP65 - defeat

D/062910-206 | **730656** | 1

With grey handle



Standard auxiliary contacts

To be added on the right side

D/061901-001 | **730252** | 1

1P CO

D/061901-002 | **730253** | 1

2P CO

Max. current rating for AC 15 and DC 13

AC 3A at 380V

5A at 220V

DC 0.5A at 220V

0.7A at 110V

1A at 60V

2A at 48V

4A at 24V



Order codes

A

B



C

D

E

X

Dilos 3 - Loadbreak disconnectors for wall mounting

Transparent		Description	In (A)	Cat. no.	Ref. no.	Pack.
	3P	Without rotary handle	160	D/061334-201	730463	1
			200	D/061335-201	730466	1
			250	D/061336-201	730469	1
			315	D/061337-201	730472	1
3P+N	Without rotary handle	160	D/061434-201	730491	1	
		200	D/061435-201	730494	1	
		250	D/061436-201	730497	1	
		315	D/061437-201	730500	1	
3P+NF	Fixed neutral Without rotary handle	160	D/061534-201	730519	1	
		200	D/061535-201	730522	1	
		250	D/061536-201	730525	1	
		315	D/061537-201	730528	1	
Safety						
	3P	Yellow label, according to DIN VDE 0113 Teil 1 Without rotary handle	160	D/061334-203	730464	1
			200	D/061335-203	730467	1
			250	D/061336-203	730470	1
	3P+N	Yellow label, according to DIN VDE 0113 Teil 1 Without rotary handle	160	D/061434-203	730492	1
			200	D/061435-203	730495	1
			250	D/061436-203	730498	1

Accessories Dilos 3

	Direct handles					
	D/061940-252	731538	1	Low, grey		
	D/061940-253	731539	1	Low, red		
	D/061940-211	730649	1	Grey, padlockable		
	D/061940-213	730650	1	Red, padlockable		
	D/061940-231	730651	1	Grey, keylockable and padlockable (Keylock not included)		
D/061940-233	730652	1	Red, keylockable and padlockable (Keylock not included)			
	Handles for cover or hinged door					
	IP65 - Defeat - Padlockable					
	With extension shaft 300 mm (8/8)					
	D/062920-201	730661	1	Black		
	D/062920-203	730662	1	Red/yellow		
	D/062920-221	730663	1	Black with keylockable plug-in (Ronis 1104)		
D/062920-223	730664	1	Red/yellow with keylockable plug-in (Ronis 1104)			
D/062920-281	730853	1	Special set for disconnector with neutral on the right, black			
D/062920-283	730854	1	Special set for disconnector with neutral on the right, red/yellow			
	Handles for inner door					
	IP65 - Padlockable					
	With extension shaft 300 mm Reduced height = 55 mm					
D/062927-202	731056	1	Black			
D/062927-203	731351	1	Red/yellow			
	Keylock					
	D/769080-000	769080	1	Plug-in for handles (Ronis 1104)		
	Inbus key					
D/061000-097	730000	1	Insulated S5 - L = 200 mm			

Dilos 3

A

B

C

D

E

X



Accessories Dilos 3 (continued)

Order codes

A

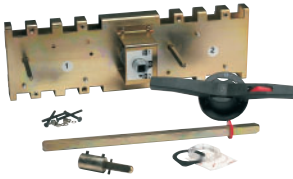
B

C

D

E

X



Changeover system (I-O-II)

With extension shaft 300 mm, padlockable handle, gasket, flange and template
IP65 - defect

D/062920-265 | **730665** | 1

With grey handle

D/062920-267 | **731348** | 1

With red/yellow handle

As above but with handle 55 mm height - for inner door

D/062937-265 | **731455** | 1

With black handle

D/062937-267 | **731554** | 1

With red/yellow handle

Standard auxiliary contacts

To be added on the right side

D/061901-001 | **730252** | 1

1P CO

D/061901-002 | **730253** | 1

2P CO

Max. current rating for AC 15 and DC 13

AC 3A at 380V

5A at 220V

DC 0.5A at 220V

0.7A at 110V

1A at 60V

2A at 48V

4A at 24V



6P/8P-system (I-O)

With extension shaft 300 mm, padlockable handle, gasket, flange and template
IP65 - defect

D/062920-266 | **730666** | 1

With grey handle

Anticipated auxiliary contacts

(early make and early break)

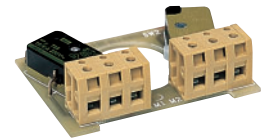
To be mounted inside

D/062921-201 | **730610** | 1

1 CO

D/062921-202 | **730611** | 1

2 CO



Terminals (Cu or Al 185 mm²)

D/062922-213 | **730627** | 1

Set of 3 V box terminals with cover

D/062922-214 | **730628** | 1

Set of 4 V box terminals with cover

D/062922-203 | **730625** | 1

Set of 3 terminals with cover

D/062922-204 | **730626** | 1

Set of 4 terminals with cover

Terminal covers

D/062922-220 | **730615** | 1

Set of 2 long covers 4P, boxed

Sealable

D/062922-226 | **731459** | 1

Set of 2 short covers 4P, boxed

IP20 and sealable



Rear connections with cover

D/062922-253 | **730629** | 1

Set of 3 pieces

D/062922-254 | **730630** | 1

Set of 4 pieces

D/062922-221 | **730616** | 1

Set of 2 connection bolt covers 4P



Dilos 4 - Loadbreak disconnectors for wall mounting

Transparent	Description	In (A)	Cat. no.	Ref. no.	Pack.
3P	With padlockable rotary handle	400	D/061344-201	730474	1
		500	D/061345-201	730476	1
		630	D/061346-201	730478	1
3P+N	With padlockable rotary handle	400	D/061444-201	730502	1
		500	D/061445-201	730504	1
		630	D/061446-201	730506	1
3P+NF	Fixed neutral With padlockable rotary handle	400	D/061544-201	730530	1
		500	D/061545-201	730532	1
		630	D/061546-201	730534	1

Accessories

	Direct handles D/061950-252 731540 1 Low, black	Standard auxiliary contacts To be added on the right side D/061901-001 730252 1 1P CO D/061901-002 730253 1 2P CO Max. current rating for AC 15 and DC 13 AC 3A at 380V 5A at 220V DC 0.5A at 220V 0.7A at 110V 1A at 60V 2A at 48V 4A at 24V	
	D/061950-251 730653 1 With key lock possibility (Keylock not included)		
	Handles for cover or hinged door IP54 - Defeat - Padlockable With extension shaft 300 mm (14/14)	Anticipated auxiliary contacts (earlyly make and early break) To be mounted inside P9B10VN 187002 1 1P NO P9B01VR 187003 1 1P NC	
	D/062940-241 730667 1 Grey D/062940-281 730855 1 Set for discon. with N on the right: grey		
	Handles for inner door IP65 - Padlockable	Terminals (Cu or Al 240 mm²) D/062942-213 730633 1 Set of 3 V box terminals with cover D/062942-214 730634 1 Set of 4 V box terminals with cover	
	D/062947-202 731352 1 Black, reduced height 55 mm With extension shaft 300 mm		
	Key lock D/769080-000 769080 1 Plug-in for handles	Rear connections with cover D/062942-253 730635 1 Set of 3 pieces D/062942-254 730636 1 Set of 4 pieces	
	Changeover system (I-O-II) With extension shaft 300 mm, padlockable handle, gasket, flange and template		
	D/062940-265 730669 1 With handle IP54 - defeat	Terminal covers D/062942-220 730618 1 Set of 2 long terminal covers 4P - boxed D/062942-226 731461 1 Set of 2 short terminal covers 4P IP20 - box terminal - sealable	
	D/062947-265 731457 1 With black handle IP65		
	D/062942-221 730619 1 Set of 2 connection bolt covers 4P		

Dilos 4

A

B

C

D

E

X



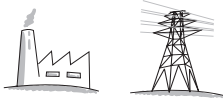


Loadbreak disconnectors for wall mounting

Dilos 6S - 800A up to 1250A



Applications



Approvals / Marking



Performance

- Panel mounting
- Main disconnecter
- Disconnect function
- As changeover - as 6P disconnecter
- Visible contact indication - transparent cover
- Quick make and quick break mechanism
- Independent opening and closing
- Positive contact indication (PCI)
- Defeat mechanism rotary handle
- Double knife contacts - high short-circuit resistance
- Number of poles 3P - 4P

Standards

IEC 60947-1 and IEC 60947-3, DIN VDE 0660 Teil 107, DIN VDE 0113 Teil 1, BS EN 60947-3, CEI 17-11 (Fasc. 1039), EN 60947-3, NBN EN 60947-3, NF C 63-130

Technical data

	35kA/50kA	35kA/50kA	35kA/50kA
Rated thermal current	800A	1000A	1250A
Rated operational voltage Ue	1000V	1000V	1000V
Rated insulation voltage Ui	1500V	1500V	1500V
Peak short withstand circuit current	73.5kA/105kA	73.5kA/105kA	73.5kA/105kA
Rated short-circuit current	73.5kA/105kA	73.5kA/105kA	73.5kA/105kA
High 1s rated short time withstand Icw	35kA/50kA	35kA/50kA	35kA/50kA
Terminal capacity (Cu)	Cu-rail 2x50x5	Cu-rail 2x50x6	Cu-rail 2x50x8

Technical data auxiliary contacts

- Can be mounted on switches with direct handle and behind door
- Break before main contacts
- Changeover contacts
- To be mounted on the top of the disconnecter
- Data: Ie = 10A at 400V ~ AC12 - Ie = 10A at 400V ~ AC13 - Ie = 1.4A at 48V == DC13

- Fused disconnectors and disconn. with tripping device ● pg. B.38
- Motorised disconn. and motorised changeover disconnectors ● pg. B.40
- Manual changeover disconn. ● pg. B.44
- 6P disconnectors ● pg. B.44









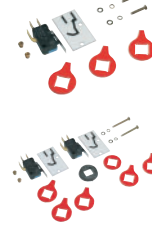
- Technical data ● pg. C.4
- Installation facilities ● pg. D.2 - D.5
- Dimensions ● pg. E.5



Dilos 6S - Loadbreak disconnectors for wall mounting

35kA	Description	In (A)	Cat. no.	Ref. no.	Pack.
3P	Visible contacts. Without handle	800	D/661365-231	731570	1
		1000	D/661366-231	731584	1
		1250	D/661367-231	731557	1
4P	Visible contacts. Without handle	800	D/661465-231	731662	1
		1000	D/661466-231	731677	1
		1250	D/661467-231	731691	1
3P+NF	Fixed neutral Visible contacts. Without handle	800	D/661565-231	731733	1
		1000	D/661566-231	731737	1
		1250	D/661567-231	731741	1
<hr/>					
50kA	Visible contacts. Without handle	800	D/661365-251	731571	1
		1000	D/661366-251	731585	1
		1250	D/661367-251	731601	1
4P	Visible contacts. Without handle	800	D/661465-251	731663	1
		1000	D/661466-251	731678	1
		1250	D/661467-251	731692	1
3P+NF	Fixed neutral Visible contacts. Without handle	800	D/661565-251	731734	1
		1000	D/661566-251	731738	1
		1250	D/661567-251	731742	1

Accessories

	Single handles for 35kA version D/661960-231 731786 1 Direct black with transparent main contact cover shield (3P)	Keylock D/662960-240 730857 1 Plug-in, Fiat key (code H235) Lockable in OFF position Key removable in OFF position	
	D/662960-231 731882 1 Black with extension shaft (300 mm - 12x12 mm) for door mounting - IP65 - Padlockable in OFF position (3 padlocks 6.3 mm) and keylockable (Keylock not included)		
	D/662960-232 731883 1 Black with extension shaft (300 mm - 12x12 mm) for door mounting - IP65 - Padlockable in OFF position (3 padlocks 6.3mm) with defeat mechanism and keylockable (Keylock not included)		
	Double handles for 50kA version D/661960-251 731788 1 Direct black with transparent main contact cover shield (3P)	Padlock system D/661960-245 731787 1 For direct handle	
	D/662960-251 731884 1 Black with extension shaft (300 mm - 12x12 mm) for door mounting - IP65 - Padlockable in OFF position (3 padlocks 6.3 mm) - keylockable (Keylock not included)		
	D/662960-252 731885 1 Black with extension shaft (300 mm - 12x12 mm) for door mounting - IP65 - Padlockable in OFF position (3 padlocks 6.3 mm) with defeat mechanism - keylockable (Keylock not included)		
	Covers D/662962-223 731895 1 1 upper box terminal cover transparent		
	D/662962-224 731896 1 1 lower box terminal cover transparent		
	D/662962-227 731898 1 Transparent main contact cover shield (3P)		
	Auxiliary contacts (CO) D/661971-201 731794 1 1NO+1NC		Technical data, see page B.16
	D/661971-202 731795 1 2NO+2NC		

Extension shaft, see page B.21



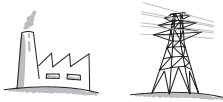
Loadbreak disconnectors for wall mounting



Dilos 7S - 1600A
Dilos 8S - 2000A/2500A



Applications



Approvals / Marking

CESI certificate



Performance

- Panel mounting
- Main disconnector
- Disconnect function
- Visible contact indication
- Quick make and quick break mechanism
- Independent opening and closing
- Positive contact indication (PCI)
- Defeat mechanism rotary handle
- Double knife contacts - high short-circuit resistance
- Number of poles 3P - 4P

Standards

IEC 60947-1 and IEC 60947-3, DIN VDE 0660 Teil 107,
DIN VDE 0113 Teil 1, BS EN 60947-3, CEI 17-11 (Fasc. 1039),
EN 60947-3, NBN EN 60947-3, NF C 63-130

Technical data

	1600A	2000A	2500A
Rated thermal current	1600A	2000A	2500A
Rated operational voltage Ue	1000V	1000V	1000V
Rated insulation voltage Ui	1500V	1500V	1500V
Peak short withstand circuit current	105kA	105kA	105kA
Rated short-circuit current	105kA	105kA	105kA
High 1s rated short time withstand Icw	50kA	50kA	50kA
Terminal capacity (Cu)	Cu-rail 2x60x10	Cu-rail 2x80x10	Cu-rail 2x80x10

- Fused disconnectors and disconn. with tripping device ● pg. B.38
- Motorised disconn. and motorised changeover disconnectors ● pg. B.40
- Manual changeover disconn. ● pg. B.44
- 6P disconnectors ● pg. B.44

- Technical data ● pg. C.4
- Installation facilities ● pg. D.2 - D.5
- Dimensions ● pg. E.6



Dilos 7S - Loadbreak disconnectors for wall mounting



1600A	Description	In (A)	Cat. no.	Ref. no.	Pack.
3P	Visible contacts. Without handle	1600	D/661371-251	731618	1
3P+N 50%	Visible contacts. Without handle	1600	D/661771-251	731752	1
4P	Visible contacts. Without handle	1600	D/661471-251	731706	1

Dilos 8S - Loadbreak disconnectors for wall mounting



2000A	Description	In (A)	Cat. no.	Ref. no.	Pack.
3P	Visible contacts. Without handle	2000	D/661382-251	731632	1
3P+N 50%	Visible contacts. Without handle	2000	D/661782-251	731754	1
4P	Visible contacts. Without handle	2000	D/661482-251	731719	1



2500A	Description	In (A)	Cat. no.	Ref. no.	Pack.
3P	Visible contacts. Without handle	2500	D/661385-251	731646	1
3P+N 50%	Visible contacts. Without handle	2500	D/661785-251	731761	1
4P	Visible contacts. Without handle	2500	D/661485-251	731728	1

Accessories



Double handles
D/661960-251 | **731788** | 1

Direct black with transparent main contact cover shield (3P)

D/662960-251 | **731884** | 1

Black with extension shaft (300 mm - 12x12 mm) for door mounting - IP65 - Padlockable in OFF position

(3 padlocks 6.3 mm) - keylockable (Keylock not included)

D/662960-252 | **731885** | 1

Black with extension shaft (300 mm - 12x12 mm) for door mounting - IP65 - Padlockable in OFF position (3 padlocks 6.3 mm) with defeat mechanism - keylockable (Keylock not included)

Extension shaft, see page B.21



Contact cover
D/662962-227 | **731898** | 1

Transparent main contact cover shield (3P)

Keylock
D/062960-240 | **730857** | 1

Plug-in, Fiat key (code H235)
Lockable in OFF position
Key removable in OFF position



Padlock system
D/661970-245 | **731792** | 1

For direct handles Dilos 7S and Dilos 8S 2000A

D/661980-245 | **731798** | 1

For direct handle Dilos 8S 2500A



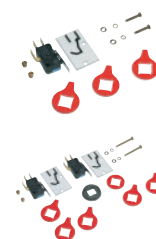
Auxiliary contacts (CO)
D/661971-201 | **731794** | 1

1NO+1NC

D/661971-202 | **731795** | 1

2NO+2NC

Technical data, see page B.16





Loadbreak disconnectors for wall mounting

Dilos 9S - 3150A
Dilos 9 - 4000A



Applications



Approvals / Marking

CESI certificate (3150A)



Performance

Panel mounting
Main disconnecter
Disconnect function
Visible contact indication
Quick make and quick break mechanism
Independent opening and closing
Positive contact indication (PCI)
Defeat mechanism rotary handle
Double knife contacts - high short-circuit resistance
Number of poles 3P - 4P

Standards

IEC 60947-1 and IEC 60947-3, DIN VDE 0660 Teil 107,
DIN VDE 0113 Teil 1, BS EN 60947-3, CEI 17-11 (Fasc. 1039),
EN 60947-3, NBN EN 60947-3, NF C 63-130

Technical data

	3150A	4000A
Rated thermal current	3150A	4000A
Rated operational voltage Ue	1000V	1000V
Rated insulation voltage Ui	1500V	1500V
Peak short withstand circuit current	105kA	105kA
Rated short-circuit current	105kA	105kA
High 1s rated short time withstand Icw	50kA	50kA
Terminal capacity (Cu)	Cu-rail 2x100x10	Cu-rail 2x100x10

Fused disconnectors and
disconn. with tripping device ● pg. B.38
Motorised disconn. and
motorised changeover
disconnectors ● pg. B.40
Manual changeover disconn. ● pg. B.44
6P disconnectors ● pg. B.44

Technical data ● pg. C.4
Dimensions ● pg. D.2 - D.5
Installation facilities ● pg. E.6

Dilos 9S - Loadbreak disconnectors for wall mounting



3P

3P+N 50%

Description	In (A)	Cat. no.	Ref. no.	Pack.
Visible contacts. Without handle	3150	D/661393-251	731654	1
Visible contacts. Without handle	3150	D/661793-251	731769	1

Accessories



Double handles
D/661960-251 | 731788 | 1

Direct black and transparent main contact cover shield (3P)



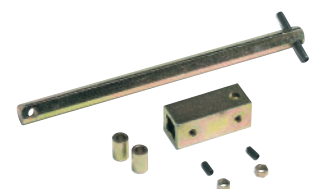
D/662960-251 | 731884 (1) | 1

Black with extension shaft (300 mm - 12x12 mm) for door mounting - IP65 - Padlockable in OFF position (3 padlocks 6.3 mm) - keylockable (Keylock not included)



D/662960-252 | 731885 (1) | 1

Black with extension shaft (300 mm - 12x12 mm) for door mounting - IP65 - Padlockable in OFF position (3 padlocks 6.3 mm) with defeat mechanism - keylockable (Keylock not included)



Extension shaft
D/662960-200 | 731881 | 1
200 mm (12/12)



Contact cover
D/662962-227 | 731898 | 1
Transparent main contact cover shield (3P)

Keylock

D/062960-240 | 730857 | 1
With plug-in Fiat key (code H235)
Lockable in OFF position
Key removable in OFF position



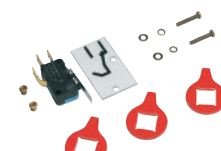
Padlock system

D/661990-245 | 731800 | 1
For direct handle



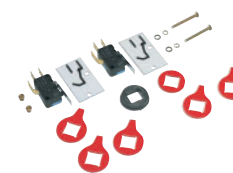
Auxiliary contacts (CO)

D/661971-201 | 731794 | 1
1NO+1NC




D/661971-202 | 731795 | 1
2NO+2NC

Technical data, see page B.16






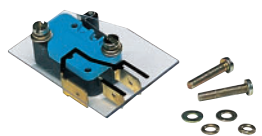
(1) Depth between the rear of the disconnector and the front of the enclosures door: max 423 mm.

Dilos 9 - Loadbreak disconnectors for wall mounting

	Description	In (A)	Cat. no.	Ref. no.	Pack.
 3P 3P+N	Visible contacts. Without handle	4000*	D/061394-201	730743	1
	Visible contacts. Without handle	4000	D/061494-201	730757	1

* Not under load

Accessories

	Double handles		
	D/061990-271	731357 1	
	Direct black with metal coupling insert		
	Contact cover		
	D/062990-261	731359 ⁽¹⁾ 1	
	Black with extension shaft (300 mm - 12x12 mm) for door mounting - IP65 - Padlockable in OFF position (3 padlocks 6.3 mm) with defeat mechanism - keylockable plug-in (Fiat), with metal coupling insert		
	D/062972-227	731498 1	Auxiliary contacts (CO) D/062961-201 730860 1 1NO+1NC D/062961-202 730861 1 2NO+2NC Technical data, see page B.16

(1) Depth between the rear of the disconnector and the front of the enclosure door: max 520 mm.

A

B

C

D

E

X

Fused loadbreak disconnectors



Fulos 000 DIN - 125A
Fulos 000 NF - 125A
Fulos 000 BS - 100A



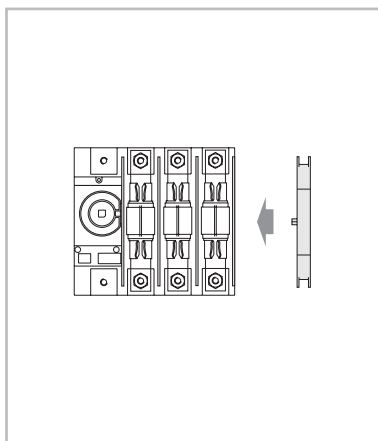
Applications



Approvals / Marking



Add-on devices



Performance

- Panel mounting
- Fused safety disconnector (main disconnector)
- Disconnect function
- Visible contact indication - transparent cover
- Quick make and quick break mechanism
- Independent opening and closing
- Positive contact indication (PCI)
- Very low power losses
- Fuse completely disconnected in "OFF"
- Defeat mechanism rotary handle
- Double knife contacts - high short-circuit resistance
- Number of poles 3P - 4P

Standards

For disconnectors

IEC 60947-1 and IEC 60947-3, DIN VDE 0660 Teil 107,
 BS EN 60947-3, CEI 17-11 (Fasc. 1039), EN 60947-3,
 NBN EN 60947-3, NF C 63-130
 Safety disconnector (red/yellow) according to DIN VDE 0113 Teil 1

For fuses

IEC 60269-2-1, BS 88 Parts 1 & 2 1988, DIN VDE 0636 Teil 1,
 NF EN 60269-1, NF C 63-211, NF C 63-210


Technical data

	DIN 000	NF	BS A2-A3
Rated thermal current	125A	125A	100A
Rated operational voltage Ue	690V	690V	690V
Rated insulation voltage Ui	1000V	1000V	1000V
Rated short-circuit current	50kA	50kA	50kA
Terminal capacity (Cu)	6-50mm ²	6-50mm ²	6-50mm ²


Technical data ● pg. C.6
 Dimensions ● pg. E.3





Fulos 000 - Fused loadbreak disconnectors

According to DIN		Description	In (A)	Cat. no.	Ref. no.	Pack.
	3P	NH 000 - NH 00. Without rotary handle	125	D/062311-201	730560	1
	3P+N	NH 000 - NH 00. Without rotary handle	125	D/062411-201	730576	1
	3P+NF	NH 000 - NH 00. Without rotary handle	125	D/062511-201	730592	1
According to NF		Description	In (A)	Cat. no.	Ref. no.	Pack.
	3P	NF 22 x 58. Without rotary handle	125	D/062314-201	730821	1
	3P+N	NF 22 x 58. Without rotary handle	125	D/062414-201	730833	1
	3P+NF	NF 22 x 58. Without rotary handle	125	D/062514-201	730845	1
According to BS		Description	In (A)	Cat. no.	Ref. no.	Pack.
	3P	BS A3 (TIS / OS - 440V) (OS 100 M125). Without rotary handle	100	D/062312-232	731919	1
	3P+N	BS A3 (TIS / OS - 440V) (OS 100 M125). Without rotary handle	100	D/062412-232	731921	1
	3P+NF	BS A3 (TIS / OS - 440V) (OS 100 M125). Without rotary handle	100	D/062512-232	731923	1

Fulos 000 - Safety fused loadbreak disconnectors

According to DIN		Description	In (A)	Cat. no.	Ref. no.	Pack.
	3P	NH 000 - NH 00 Yellow label, according to DIN VDE 0113 Teil 1 Without rotary handle	125	D/062311-203	730561	1
	3P+N	NH 000 - NH 00 Yellow label, according to DIN VDE 0113 Teil 1 Without rotary handle	125	D/062411-203	730577	1

Accessories

	Direct handles			Handles for inner door		
	D/062910-251	731436	1	Reduced height 55 mm		
	Low grey			With extension shaft 300 mm		
	D/062910-253	731437	1	P65 - Padlockable		
	Low red			D/062927-202	731056	1
				Black		
			D/062927-203	731351	1	
			Red/yellow			
						

Accessories Fulos 000 (continued)



Handles for cover or hinged door
 IP65 - Padlockable - Defeat
 With extension shaft 300 mm (8/8)

D/062920-201 | **730661** | 1

Black

D/062920-203 | **730662** | 1

Red/yellow

D/062920-221 | **730663** | 1

Black and keylockable
 (Keylock not included)

D/062920-223 | **730664** | 1

Red/yellow and keylockable
 (Keylock not included)

D/062920-281 | **730853** | 1

Special set for disconnecter with neutral
 on the right, black

D/062920-283 | **730854** | 1

Special set for disconnecter with neutral
 on the right, red/yellow

Changeover system (I-O-II)

With extension shaft 300 mm,
 padlockable handle, gasket, flange
 and template IP65 - Defeat

D/062910-205 | **730655** | 1

With grey handle

D/062910-207 | **731347** | 1

With red/yellow handle

As above but with handle 55 mm height -
 for inner door

D/062927-265 | **731453** | 1

With black handle IP65

D/062927-267 | **731552** | 1

With red/yellow handle

6P/8P-system (I-O)

With extension shaft 300 mm,
 handle, gasket, flange and
 template
 IP65 - defeat

D/062910-206 | **730656** | 1

With grey handle



Keylock

D/769080-000 | **769080** | 1

Plug-in for handles (Ronis 1104)

Standard auxiliary contacts

To be added on the right side

D/061901-001 | **730252** | 1

1P CO

D/061901-002 | **730253** | 1

2P CO



Fuse protection cover

D/062912-225 | **730614** | 1

3P

Inbus key

D/061000-097 | **730000** | 1

Insulated S5 - L = 200 mm



Fused loadbreak disconnectors



Fulos 00 DIN - 160A
Fulos 00 BS - 200A



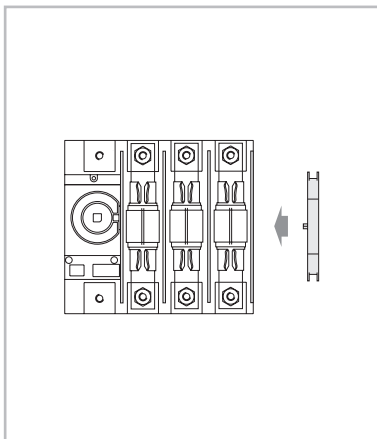
Applications



Approvals / Marking



Add-on devices



Performance

- Panel mounting
- Fused safety disconnector (main disconnector)
- Disconnect function
- Visible contact indication - transparent cover
- Quick make and quick break mechanism
- Independent opening and closing
- Positive contact indication (PCI)
- Very low power losses
- Fuse completely disconnected in "OFF"
- Defeat mechanism rotary handle
- Double knife contacts - high short-circuit resistance
- Number of poles 3P - 4P

Standards

For disconnectors

IEC 60947-1 and IEC 60947-3, DIN VDE 0660 Teil 107,
 BS EN 60947-3, CEI 17-11 (Fasc. 1039), EN 60947-3,
 NBN EN 60947-3, NF C 63-130
 Safety disconnector (red/yellow) according to DIN VDE 0113 Teil 1

For fuses

IEC 60269-2-1, BS 88 Part 2 1988, DIN VDE 0636 Teil 1,
 NF EN 60269-1, NF C 63-211, NF C 63-210



Technical data

	DIN 00	BS A4
Rated thermal current	160A	200A
Rated operational voltage Ue	690V	690V
Rated insulation voltage Ui	1000V	1000V
Rated short-circuit current	100kA	100kA
Terminal capacity (Cu)	30 x 6 mm ²	30 x 6 mm ²

- Technical data ● pg. C.6
- Installation facilities ● pg. D.5
- Dimensions ● pg. E.4



Fulos 00 - Fused loadbreak disconnectors

According to DIN		Description	In (A)	Cat. no.	Ref. no.	Pack.
	3P	NH 00. Without rotary handle	160	D/062321-201	730563	1
	3P+N	NH 00. Without rotary handle	160	D/062421-201	730579	1
	3P+NF	NH 00. Without rotary handle	160	D/062521-201	730595	1
According to BS		Description	In (A)	Cat. no.	Ref. no.	Pack.
	3P	BS A4 (TCP Ø 26 - 690V). Without rotary handle	100	D/062322-241	730822	1
		BS A4 (TCP / TFP Ø 33.7 - 690V). Without rotary handle	200	D/062322-242	731925	1
	3P+N	BS A4 (TCP Ø 26 - 690V). Without rotary handle	100	D/062422-241	730834	1
		BS A4 (TCP / TFP Ø 33.7 - 690V). Without rotary handle	200	D/062422-242	731927	1
	3P+NF	BS A4 (TCP Ø 26 - 690V). Without rotary handle	100	D/062522-241	730846	1
		BS A4 (TCP / TFP Ø 33.7 - 690V). Without rotary handle	200	D/062522-242	731929	1

Fulos 00 - Safety fused loadbreak disconnecter

According to DIN		Description	In (A)	Cat. no.	Ref. no.	Pack.
	3P	NH 00 - yellow label, according to DIN VDE 0113 Teil 1 Without rotary handle	160	D/062321-203	730564	1
	3P+N	NH 00 - yellow label, according to DIN VDE 0113 Teil 1 Without rotary handle	160	D/062421-203	730580	1

Accessories

	Direct handles					
	D/062910-251	731436	1			
	Low grey					
	D/062910-253	731437	1			
	Low red					
	Handles for inner door					
	Reduced height 55 mm height					
	With extension shaft 300 mm					
	IP65 - padlockable					
	D/062927-202	731056	1			
	Black					
D/062927-203	731351	1				
	Red/yellow					
	Keylock					
	D/769080-000	769080	1			
	Plug-in for handles (Ronis 1104)					
	Handles for cover or hinged door					
	IP65 - Defeat - Padlockable					
	With extension shaft 300 mm (8/8)					
D/062920-201	730661	1				
Black						
D/062920-203	730662	1				
Red/yellow						
D/062920-221	730663	1				
Black and keylockable						
(Keylock Ronis 1104 not included)						
D/062920-223	730664	1				
Red/yellow and keylockable						
(Keylock Ronis 1104 not included)						
D/062920-281	730853	1				
Special set for disconnector with neutral						
on the right, black						
D/062920-283	730854	1				
Special set for disconnector with neutral						
on the right, red/yellow						

Accessories Fulos 00 (continued)

	<p>Changeover system (I-O-II) With extension shaft 300 mm, padlockable handle, gasket, flange and template IP65 - Defeat</p> <p>D/062920-265 730665 1</p> <p>With grey handle</p> <p>D/062920-267 731348 1</p> <p>With red/yellow handle</p>	<p>Fuse protection cover</p> <p>D/062922-225 730617 1</p> <p>3P</p>	
	<p>As above but with handle 55 mm height - for inner door</p> <p>D/062937-265 731455 1</p> <p>With black handle</p> <p>D/062937-267 731554 1</p> <p>With red/yellow handle</p>	<p>Terminals (Cu or Al 185 mm²)</p> <p>D/062922-213 730627 1</p> <p>Set of 3 V box terminals with cover</p> <p>D/062922-214 730628 1</p> <p>Set of 4 V box terminals with cover</p> <p>D/062922-203 730625 1</p> <p>Set of 3 terminals with cover</p> <p>D/062922-204 730626 1</p> <p>Set of 4 terminals with cover</p>	
	<p>6P/8P-system (I-O) With extension shaft 300 mm, padlockable handle, gasket, flange and template IP65 - Defeat</p> <p>D/062920-266 730666 1</p> <p>With grey handle</p>	<p>Terminal covers 4P</p> <p>D/062922-220 730615 1</p> <p>Set of 2 long terminal covers, boxed</p> <p>Sealable</p>	
	<p>Standard auxiliary contacts To be added on the right side</p> <p>D/061901-001 730252 1</p> <p>1P CO</p> <p>D/061901-002 730253 1</p> <p>2P CO</p>	<p>D/062922-226 731459 1</p> <p>Set of 2 short box terminal covers, IP20 - sealable</p>	
	<p>Anticipated auxiliary contacts (early make and early break) To be mounted inside</p> <p>D/062921-201 730610 1</p> <p>1CO</p> <p>D/062921-202 730611 1</p> <p>2CO</p>	<p>D/062922-221 730616 1</p> <p>Set of 2 connection bolt covers</p>	
	<p>Rear connection with cover</p> <p>D/062922-253 730629 1</p> <p>Set of 3 pieces</p> <p>D/062922-254 730630 1</p> <p>Set of 4 pieces</p>		
	<p>Inbus key</p> <p>D/061000-097 730000 1</p> <p>Insulated S5 - L = 200 mm</p>		

Notes

Grid of dotted lines for notes.

Dilos/Fulos

A

B

C

D

E

X



Fused loadbreak disconnectors



- Fulos 1 DIN - 250A**
- Fulos 2 DIN - 400A**
- Fulos 1 BS - 200A⁽¹⁾**
- Fulos 2 BS - 400A**



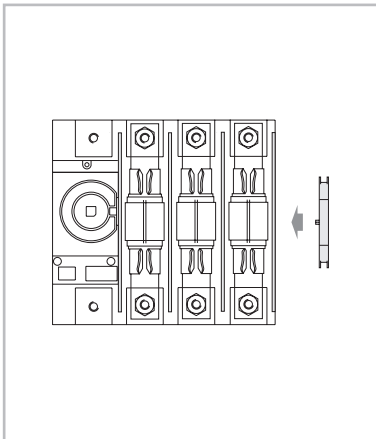
Applications



Approvals / Marking



Add-on devices



Performance

- Panel mounting
- Fused safety disconnector (main disconnector)
- Disconnect function
- Visible contact indication - transparent cover
- Quick make and quick break mechanism
- Independent opening and closing
- Positive contact indication (PCI)
- Very low power losses
- Fuse completely disconnected in "OFF"
- Defeat mechanism rotary handle
- Double knife contacts - high short-circuit resistance
- Number of poles 3P - 4P

Standards

For disconnectors

IEC 60947-1 and IEC 60947-3, DIN VDE 0660 Teil 107, BS EN 60947-3, CEI 17-11 (Fasc. 1039), EN 60947-3, NBN EN 60947-3, NF C 63-130
 Safety disconnector (red/yellow) according to DIN VDE 0113 Teil 1

For fuses

IEC 60269-2-1, BS 88 Part 2 1988, DIN VDE 0636 Teil 1, NF EN 60269-1, NF C 63-211, NF C 63-210

Technical data



	DIN 1/2 250A/400A	BS B1-B4 200A/400A
Rated thermal current	250A/400A	200A/400A
Rated operational voltage Ue	690V	690V
Rated insulation voltage Ui	1000V	1000V
Rated short-circuit current	100kA	100kA
Terminal capacity (Cu)	2x40x6	2x40x6

(1) BS A4 GTMF - 415V - 400A


- Technical data ● pg. C.6
- Installation facilities ● pg. D.5
- Dimensions ● pg. E.4






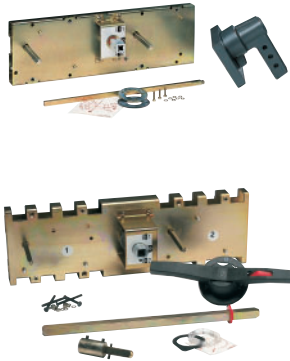
Fulos 1 - Fused loadbreak disconnectors

According to DIN	Description	In (A)	Cat. no.	Ref. no.	Pack.
	3P NH 1. Without rotary handle	250	D/062341-201	730569	1
	3P+N NH 1. Without rotary handle	250	D/062441-201	730585	1
	3P+NF NH 1 - Fixed neutral. Without rotary handle	250	D/062541-201	730601	1
According to BS					
	3P BS B1-B2 (TC / TF Ø 33.7 - 690V). Without rotary handle	200	D/062342-221	730823	1
	BS B4 (GTMF Ø 40.4 - 415V). Without rotary handle	400	D/062342-222	731931	1
	3P+N BS B1-B2 (TC / TF Ø 33.7 - 690V). Without rotary handle	200	D/062442-221	730835	1
	BS B4 (GTMF Ø 40.4 - 415V). Without rotary handle	400	D/062442-222	731933	1
	3P+NF BS B1-B2 (TC / TF Ø 33.7 - 690V). Without rotary handle	200	D/062542-221	730847	1
	BS B4 (GTMF Ø 40.4 - 415V). Without rotary handle Fixed neutral	400	D/062542-222	731935	1

Fulos 1 - Safety fused loadbreak disconnectors

According to DIN	Description	In (A)	Cat. no.	Ref. no.	Pack.
	3P NH 1 - with yellow label, acc. DIN VDE 0113 Teil 1 Without rotary handle	250	D/062341-203	730570	1
	3P+N NH 1 - with yellow label, acc. DIN VDE 0113 Teil 1 Without rotary handle	250	D/062441-203	730586	1



Accessories

	Direct handles					
	D/062930-251	731420	1	Low grey		
	D/062930-253	731421	1	Low red		
	Handles for cover or hinged door					
	IP54 - Defeat - Padlockable With extension shaft 300 mm (14/14)					
	D/062940-241	730667	1	Grey		
	D/062940-243	730668	1	Red/yellow		
	D/062940-281	730855	1	Special set for disconnector with neutral on the right - grey		
	Handles for inner door					
	IP65 - With extension shaft 300 mm Reduced height 55 mm - Padlockable					
	D/062947-202	731352	1	Black		
	D/062947-203	731353	1	Red/yellow		
	Changeover system (I-O-II)					
	With extension shaft 300 mm, padlockable handle, gasket, flange and template Padlockable					
	D/062940-265	730669	1	With handle IP54 - Defeat mechanism		
	D/062947-265	731457	1	As above but with handle 55 mm height - for inner door With black handle IP65		

Accessories Fulos 1 (continued)

	Standard auxiliary contacts To be added on the right side	<table border="1"> <tr> <td>D/061901-001</td> <td>730252</td> <td>1</td> </tr> <tr> <td colspan="3">1P CO</td> </tr> <tr> <td>D/061901-002</td> <td>730253</td> <td>1</td> </tr> <tr> <td colspan="3">2P CO</td> </tr> <tr> <td colspan="3">Max. current rating for AC 15 and DC 13</td> </tr> <tr> <td>AC</td> <td colspan="2">3A at 380V</td> </tr> <tr> <td></td> <td colspan="2">5A at 220V</td> </tr> <tr> <td>DC</td> <td colspan="2">0.5A at 220V</td> </tr> <tr> <td></td> <td colspan="2">0.7A at 110V</td> </tr> <tr> <td></td> <td colspan="2">1A at 60V</td> </tr> <tr> <td></td> <td colspan="2">2A at 48V</td> </tr> <tr> <td></td> <td colspan="2">4A at 24V</td> </tr> </table>	D/061901-001	730252	1	1P CO			D/061901-002	730253	1	2P CO			Max. current rating for AC 15 and DC 13			AC	3A at 380V			5A at 220V		DC	0.5A at 220V			0.7A at 110V			1A at 60V			2A at 48V			4A at 24V		Fuse protection cover <table border="1"> <tr> <td>D/062942-225</td> <td>730620</td> <td>1</td> </tr> <tr> <td colspan="3">3P</td> </tr> </table>	D/062942-225	730620	1	3P			
	D/061901-001	730252	1																																											
1P CO																																														
D/061901-002	730253	1																																												
2P CO																																														
Max. current rating for AC 15 and DC 13																																														
AC	3A at 380V																																													
	5A at 220V																																													
DC	0.5A at 220V																																													
	0.7A at 110V																																													
	1A at 60V																																													
	2A at 48V																																													
	4A at 24V																																													
D/062942-225	730620	1																																												
3P																																														
	Anticipated auxiliary contacts (early make and early break) To be mounted inside	<table border="1"> <tr> <td>P9B10VN</td> <td>187002</td> <td>1</td> </tr> <tr> <td colspan="3">1P NO</td> </tr> <tr> <td>P9B01VR</td> <td>187003</td> <td>1</td> </tr> <tr> <td colspan="3">1P NC</td> </tr> </table>	P9B10VN	187002	1	1P NO			P9B01VR	187003	1	1P NC			<table border="1"> <tr> <td>D/062942-226</td> <td>731461</td> <td>1</td> </tr> <tr> <td colspan="3">Set of 2 short box terminal covers</td> </tr> <tr> <td colspan="3">IP20 - sealable</td> </tr> </table>	D/062942-226	731461	1	Set of 2 short box terminal covers			IP20 - sealable																								
	P9B10VN	187002	1																																											
1P NO																																														
P9B01VR	187003	1																																												
1P NC																																														
D/062942-226	731461	1																																												
Set of 2 short box terminal covers																																														
IP20 - sealable																																														
	Terminals (Cu or Al 240 mm²)	<table border="1"> <tr> <td>D/062942-213</td> <td>730633</td> <td>1</td> </tr> <tr> <td colspan="3">Set of 3 V box terminals with cover</td> </tr> <tr> <td>D/062942-214</td> <td>730634</td> <td>1</td> </tr> <tr> <td colspan="3">Set of 4 V box terminals with cover</td> </tr> </table>	D/062942-213	730633	1	Set of 3 V box terminals with cover			D/062942-214	730634	1	Set of 4 V box terminals with cover			<table border="1"> <tr> <td>D/062942-221</td> <td>730619</td> <td>1</td> </tr> <tr> <td colspan="3">Set of 2 connection bolt covers - boxed</td> </tr> </table>	D/062942-221	730619	1	Set of 2 connection bolt covers - boxed																											
	D/062942-213	730633	1																																											
Set of 3 V box terminals with cover																																														
D/062942-214	730634	1																																												
Set of 4 V box terminals with cover																																														
D/062942-221	730619	1																																												
Set of 2 connection bolt covers - boxed																																														
	Rear connections with cover	<table border="1"> <tr> <td>D/062942-253</td> <td>730635</td> <td>1</td> </tr> <tr> <td colspan="3">Set of 3 pieces</td> </tr> <tr> <td>D/062942-254</td> <td>730636</td> <td>1</td> </tr> <tr> <td colspan="3">Set of 4 pieces</td> </tr> </table>	D/062942-253	730635	1	Set of 3 pieces			D/062942-254	730636	1	Set of 4 pieces																																		
	D/062942-253	730635	1																																											
Set of 3 pieces																																														
D/062942-254	730636	1																																												
Set of 4 pieces																																														

Fulos 2 - Fused loadbreak disconnectors

According to DIN		Description	In (A)	Cat. no.	Ref. no.	Pack.
	3P	NH 2. Without rotary handle	400	D/062351-201	730572	1
	3P+N	NH 2. Without rotary handle	400	D/062451-201	730588	1
	3P+NF	NH 2. Without rotary handle	400	D/062551-201	730604	1
According to BS						
	3P	BS B3-B4 (TKF / TMF - 690V). Without rotary handle	400	D/062352-241	730824	1
	3P+N	BS B3-B4 (TKF / TMF - 690V). Without rotary handle	400	D/062452-241	730836	1
	3P+N	BS B3-B4 (TKF / TMF - 690V). Without rotary handle	400	D/062552-241	730848	1

Accessories Fulos 2

	<p>Direct handles</p> <table border="1"> <tr> <td>D/062930-251</td> <td>731420</td> <td>1</td> </tr> </table> <p>Low grey</p>	D/062930-251	731420	1											
D/062930-251	731420	1													
	<p>Handles for cover or hinged door</p> <p>IP54 - Defeat - Padlockable</p> <p>With extension shaft 300 mm (14/14)</p> <table border="1"> <tr> <td>D/062940-241</td> <td>730667</td> <td>1</td> </tr> <tr> <td>D/062940-281</td> <td>730855</td> <td>1</td> </tr> </table> <p>Grey</p> <p>Special set for disconnectors with neutral on the right - grey</p>	D/062940-241	730667	1	D/062940-281	730855	1	<p>Changeover system (I-O-II)</p> <p>With extension shaft 300 mm, padlockable handle, gasket, flange and template</p> <p>Padlockable</p> <table border="1"> <tr> <td>D/062940-265</td> <td>730669</td> <td>1</td> </tr> </table> <p>With handle IP54 - defeat</p> <p>As above but with handle 55 mm height for inner door</p> <table border="1"> <tr> <td>D/062947-265</td> <td>731457</td> <td>1</td> </tr> </table> <p>With black handle IP65</p>	D/062940-265	730669	1	D/062947-265	731457	1	 
D/062940-241	730667	1													
D/062940-281	730855	1													
D/062940-265	730669	1													
D/062947-265	731457	1													
	<p>Handles for inner door</p> <p>IP65 - Padlockable</p> <table border="1"> <tr> <td>D/062947-202</td> <td>731352</td> <td>1</td> </tr> </table> <p>Black, reduced height 55 mm</p> <p>With extension shaft 300 mm</p>	D/062947-202	731352	1	<p>Terminals (Cu or Al 240 mm²)</p> <table border="1"> <tr> <td>D/062942-213</td> <td>730633</td> <td>1</td> </tr> </table> <p>Set of 3 box terminals with cover</p> <table border="1"> <tr> <td>D/062942-214</td> <td>730634</td> <td>1</td> </tr> </table> <p>Set of 4 box terminals with cover</p>	D/062942-213	730633	1	D/062942-214	730634	1				
D/062947-202	731352	1													
D/062942-213	730633	1													
D/062942-214	730634	1													
	<p>Standard auxiliary contacts</p> <p>To be added on the right side</p> <table border="1"> <tr> <td>D/061901-001</td> <td>730252</td> <td>1</td> </tr> </table> <p>1P CO</p> <table border="1"> <tr> <td>D/061901-002</td> <td>730253</td> <td>1</td> </tr> </table> <p>2P CO</p> <p>Max. current rating for AC 15 and DC 13</p> <p>AC 3A at 380V 5A at 220V</p> <p>DC 0.5A at 220V 0.7A at 110V 1A at 60V 2A at 48V 4A at 24V</p>	D/061901-001	730252	1	D/061901-002	730253	1	<p>Rear connections with cover</p> <table border="1"> <tr> <td>D/062942-253</td> <td>730635</td> <td>1</td> </tr> </table> <p>Set of 3 pieces</p> <table border="1"> <tr> <td>D/062942-254</td> <td>730636</td> <td>1</td> </tr> </table> <p>Set of 4 pieces</p>	D/062942-253	730635	1	D/062942-254	730636	1	
D/061901-001	730252	1													
D/061901-002	730253	1													
D/062942-253	730635	1													
D/062942-254	730636	1													
	<p>Anticipated auxiliary contacts</p> <p>(early make and early break)</p> <p>To be mounted inside</p> <table border="1"> <tr> <td>P9B10VN</td> <td>187002</td> <td>1</td> </tr> </table> <p>1P NO</p> <table border="1"> <tr> <td>P9B01VR</td> <td>187003</td> <td>1</td> </tr> </table> <p>1P NC</p>	P9B10VN	187002	1	P9B01VR	187003	1	<p>Terminal covers - 4P</p> <table border="1"> <tr> <td>D/062942-220</td> <td>730618</td> <td>1</td> </tr> </table> <p>Set of 2 long box terminal covers</p> <table border="1"> <tr> <td>D/062942-226</td> <td>731461</td> <td>1</td> </tr> </table> <p>Set of 2 short box terminal covers</p> <p>IP20 - sealable</p>	D/062942-220	730618	1	D/062942-226	731461	1	 
P9B10VN	187002	1													
P9B01VR	187003	1													
D/062942-220	730618	1													
D/062942-226	731461	1													
	<p>Fuse protection cover</p> <table border="1"> <tr> <td>D/062942-225</td> <td>730620</td> <td>1</td> </tr> </table> <p>3P</p>	D/062942-225	730620	1	<table border="1"> <tr> <td>D/062942-221</td> <td>730619</td> <td>1</td> </tr> </table> <p>Set of 2 connection bolt covers</p>	D/062942-221	730619	1							
D/062942-225	730620	1													
D/062942-221	730619	1													

Fused loadbreak disconnectors for panel mounting



Fulos 3S DIN - 630A
Fulos 3S BS - 630A



Applications



Approvals / Marking



Performance

- Panel mounting
- Fused safety disconnector (main disconnector)
- Disconnect function
- Visible contact indication
- Quick make and quick break mechanism
- Independent opening and closing
- Positive contact indication (PCI)
- Very low power losses
- Fuse completely disconnected in "OFF"
- Defeat mechanism rotary handle
- Double knife contacts - high short-circuit resistance
- Number of poles 3P - 4P

Standards

For disconnectors

IEC 60947-1 and IEC 60947-3, DIN VDE 0660 Teil 107, DIN VDE 0113 Teil 1, BS EN 60947-3, CEI 17-11 (Fasc. 1039), EN 60947-3, NBN EN 60947-3, NF C 63-130

For fuses

IEC 60269-2-1, BS 88 Part 2 1988, DIN VDE 0636 Teil 1, NF EN 60269-1, NF C 63-211, NF C 63-210



Technical data

	DIN 3	BS C1-C2-C3
Rated thermal current	630A	630A
Rated operational voltage Ue	690V	690V
Rated insulation voltage Ui	1000V	1000V
Rated short-circuit current	100kA	100kA
Terminal capacity (Cu)	2x40x6	2x40x6

- Fused disconnectors and disconn. with tripping device ● pg. B.38
- Motorised disconn. and motorised changeover disconnectors ● pg. B.40
- Manual changeover disconn. ● pg. B.44
- 6P disconnectors ● pg. B.44

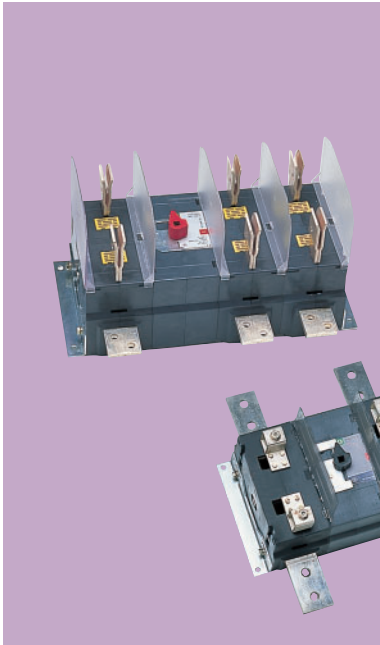
- Technical data ● pg. C.6
- Dimensions ● pg. E.8

Fulos 3S - Fused loadbreak disconnectors

According to DIN		Description	In (A)	Cat. no.	Ref. no.	Pack.
	3P	NH 3. Without rotary handle	630	D/662361-231	731815	1
	3P+N	NH 3. Without rotary handle	630	D/662461-231	731845	1
According to BS		Description	In (A)	Cat. no.	Ref. no.	Pack.
	3P	BS C1-C2 (TM / TTM - 690V). Without rotary handle	630	D/662362-231	731825	1
	3P+N	BS C1-C2 (TM / TTM - 690V). Without rotary handle	630	D/662462-231	731855	1

Accessories

	Single handles					
	D/662970-231	731903	1	Direct black with fuse cover (3P)		
	D/662960-231	731882	1	Black with extension shaft (300 mm - 12x12 mm) for door mounting - IP65 - Padlockable in OFF position (3 padlocks 6.3 mm) - keylockable (Keylock not included)		
	D/662960-232	731883	1	Black with extension shaft (300 mm - 12x12 mm) for door mounting - IP65 - Padlockable in OFF position (3 padlocks 6.3 mm) with defeat mechanism - keylockable (Keylock not included)		
	Extension shaft					
	D/662960-200	731881	1	200 mm		
	Keylock					
	D/062960-240	730857	1	Plug-in, Fiat key (code H235) Lockable in OFF Key removable in OFF position		
	Padlock system					
	D/661960-245	731787	1	For direct handle		
	Covers - transparent					
	D/662962-223	731895	1	1 upper box terminal cover		
	D/662962-224	731896	1	1 lower box terminal cover		
	D/662962-225	731897	1	Sealable fuse cover (3P)		
	Connection set					
	D/662972-229	731906	1	For fuse detection		
	Auxiliary contacts (CO)					
	D/661971-201	731794	1	1NO+1NC		
	D/661971-202	731795	1	2NO+2NC		
	Technical data, see page B.16					



Fused loadbreak disconnectors for panel mounting

Fulos 4 DIN - 800/1000A
Fulos 4 BS - 1250A



Applications



Approvals / Marking



Performance

- Panel mounting
- Fused safety disconnecter (main disconnector)
- Disconnect function
- Visible contact indication
- Quick make and quick break mechanism
- Independent opening and closing
- Positive contact indication (PCI)
- Very low power losses
- Fuse completely disconnected in "OFF"
- Defeat mechanism rotary handle
- Double knife contacts - high short-circuit resistance
- Number of poles 3P - 4P

Standards

For disconnectors

IEC 60947-1 and IEC 60947-3, DIN VDE 0660 Teil 107, DIN VDE 0113 Teil 1, BS EN 60947-3, CEI 17-11 (Fasc. 1039), EN 60947-3, NBN EN 60947-3, NF C 63-130

For fuses

IEC 60269-2-1, BS 88 Part 2 1988, DIN VDE 0636 Teil 1, NF EN 60269-1, NF C 63-211, NF C 63-210

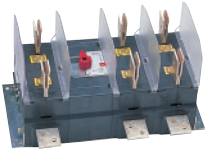
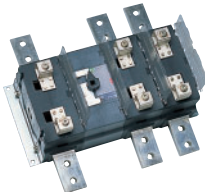
Technical data

	DIN 4D	BS D1
Rated thermal current	800A/1000A	1250A
Rated operational voltage Ue	690V	690V
Rated insulation voltage Ui	1000V	1000V
Rated short-circuit current	100kA	100kA
Terminal capacity (Cu)	2x50x6 Cu	2x50x6 Cu

Technical data ● pg. C.6
 Dimensions ● pg. E.9



Fulos 4 - Fused loadbreak disconnectors

According to DIN		Description	In (A)	Cat. no.	Ref. no.	Pack.
	3P	NH 4D. Without rotary handle	1000	D/062371-201	730773	1
	3P+N	NH 4D. Without rotary handle	1000	D/062471-201	730777	1
According to BS		Description	In (A)	Cat. no.	Ref. no.	Pack.
	3P	BS D1 (TLU / TXU - 690V). Without rotary handle	1250	D/062372-211	730827	1
	3P+N	BS D1 (TLU / TXU - 690V). Without rotary handle	1250	D/062472-211	730839	1

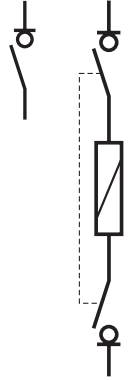
Accessories

	Double handles	D/061980-271 730975 1	Direct black		Fuse protection cover	D/062972-225 730869 1	Transparent (1 pole)
		D/062970-261 730865 1	Black with extension shaft (300 mm - 12x12 mm) for door mounting - IP65 - Padlockable in OFF position (3 padlocks 6.3 mm) standard with defeat mechanism and keylockable (Keylock not included)		Connection set	D/662972-229 731906 1	For fuse detection
	Keylock	D/062960-240 730857 1	Plug-in, Fiat key (code H235) Lockable in OFF position Key removable in OFF position	Auxiliary contacts (CO)	D/062961-201 730860 1	1NO+1NC	
		D/062961-202 730861 1	2NO+2NC Technical data, see page B.16	Terminal cover kit	D/062972-223 730867 1	Set of 3 covers (1 cover/pole) for Fulos 4	
		D/062972-224 730868 1	Set of 4 covers (1 cover/pole) for Fulos 4				



Fused and loadbreak disconnectors - 50kA with tripping device - BA (bell alarm)

Dilos BA 800A up to 2000A
Fulos BA 630A - 800A



Applications



Approvals / Marking



Performance

- Panel mounting
- Safety disconnector (main disconnector)
- Disconnect function
- With tripping device (bell alarm)
- Visible contact indication - transparent cover
- Quick make and quick break mechanism
- Independent opening and closing
- Positive contact indication (PCI)
- Double knife contacts - high short-circuit resistance
- Number of poles 3P - 4P

Standards

IEC 60947-1 and IEC 60947-3, DIN VDE 0660 Teil 107,
 BS EN 60947-3, CEI 17-11 (Fasc. 1039), EN 60947-3,
 NBN EN 60947-3, NF C 63-130

Function

Manual operated disconnectors with bell alarm (BA) are supplied with a remote tripping device by means of a current coil.
 A push-button on the board or operated remotely allows switching off.
 Standard with auxiliary signal contact.
 The standard coil voltage is 230Vac.

Technical data ● pg. C.4/C.6
 Dimensions ● pg. E.10/E.11



Dilos 6S BA - Loadbreak disconnectors



	Description	Coil voltage (V)	In (A)	Cat. no.	Ref. no.	Pack.
3P	With door interlock handle IP65 and transparent main contact cover shield	230Vac	800	D/661365-273	731574	1
			1000	D/661366-273	731588	1
			1250	D/661367-273	731606	1
4P	With door interlock handle IP65 and transparent main contact cover shield	230Vac	800	D/661465-273	731667	1
			1000	D/661466-273	731681	1
			1250	D/661467-273	731695	1

Dilos 7S BA - Loadbreak disconnectors

	Description	Coil voltage (V)	In (A)	Cat. no.	Ref. no.	Pack.
3P	With door interlock handle IP65 and transparent main contact cover shield	230Vac	1600	D/661371-273	731621	1
4P	With door interlock handle IP65 and transparent main contact cover shield	230Vac	1600	D/661471-273	731709	1

Dilos 8S BA - Loadbreak disconnectors

	Description	Coil voltage (V)	In (A)	Cat. no.	Ref. no.	Pack.
3P	With door interlock handle IP65 and transparent main contact cover shield	230Vac	2000	D/661382-273	731637	1
4P	With door interlock handle IP65 and transparent main contact cover shield	230Vac	2000	D/661482-273	731721	1

Fulos 3S BA - Fused loadbreak disconnectors



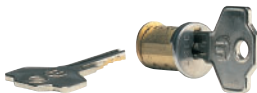
According to DIN

	Description	Coil voltage (V)	In (A)	Cat. no.	Ref. no.	Pack.
3P	NH 3 - With door interlock handle IP65 and transparent main contact cover shield	230Vac	630	D/662361-273	731818	1
3P+N	NH 3 - With door interlock handle IP65 and transparent main contact cover shield	230Vac	630	D/662461-273	731848	1

According to BS

3P	With door interlock handle IP65 and transparent main contact cover shield					
3P	BS C1-C2 (T/M / TTM - 690V)		630	D/662362-273	731828	1
	BS C3 (TLM / 690V)		800	D/662363-273	731838	1
3P+N	BS C1-C2 (T/M / TTM - 690V)		630	D/662462-273	731858	1
	BS C3 (TLM / 690V)		800	D/662463-273	731868	1

Accessories



Keylock		
D/062960-240	730857	1
Plug-in, Fiat key (code H235)		
Lockable in OFF		
Key removable in OFF position		

Terminal covers - transparent		
D/662962-223	731895	1
1 upper box terminal cover for Dilos 6S and Fulos 3S		
D/662962-224	731896	1
1 lower box terminal cover for Dilos 6S and Fulos 3S		

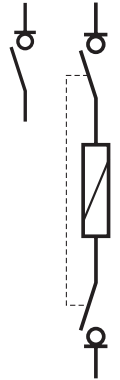




Motorised fused and loadbreak disconnectors (MO) - 50kA Motorised changeover loadbreak disconnectors (CO-MO) - 50kA

**Dilos MO 800A up to 3150A
Fulos 3S MO 630A/800A**

**CO-Dilos 6S MO - 800A - 1250A
CO-Dilos 7S MO - 1600A
CO-Dilos 8S MO - 2000A/2500A**



Applications



Approvals / Marking



Performance

- Panel mounting
- Safety disconnector (main disconnector)
- Disconnect function
- Visible contact indication - transparent cover
- Quick make and quick break mechanism
- Independent opening and closing
- Positive contact indication (PCI)
- Double knife contacts - high short-circuit resistance
- Padlockable with 3 padlocks (motorised and manual operation are inhibited)
- Motorised or manual operation (always with a spare handle) by selection with a key lock (only one operation possible)
- Indication 0-I and I-0-II by led
- Indication 0-I and I-0-II operated remotely by auxiliary contacts
- Motor ratings: 110Vac, 230Vac, 380Vac and 24Vdc
- Switching time: closing (0 to I) and opening (I to 0) = 1.5 s.
- Number of poles 3P - 4P
- Fulos 3S for DIN or BS fuses

Standards

IEC 60947-1 and IEC 60947-3, DIN VDE 0660 Teil 107,
DIN VDE 0113 Teil 1, BS EN 60947-3, CEI 17-11 (Fasc. 1039),
EN 60947-3, NBN EN 60947-3, NF C 63-130

Technical data

Voltage	24Vdc	60Vdc	230Vac	220/380Vac
Start	120VA	135VA	80W	35W
Nominal	70VA	78VA	20W	24W

Technical data ● pg. C.4/C.6
Dimensions ● pg. E.12/E.15

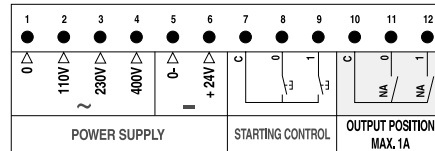
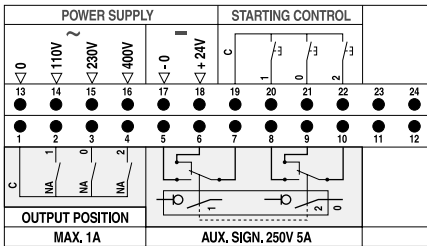




Terminal board diagram

Terminal board diagram connections are done by terminal (MO) or by connector (CO-MO) with following terminals:

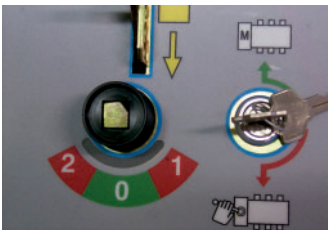
- power supply
- start push-buttons
- indication of the changeover position (I-0-II) or 0-I for the disconnector
- auxiliary changeover signal contacts



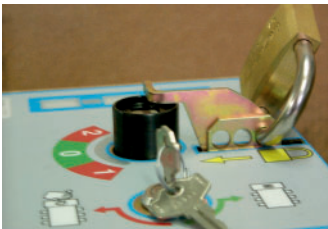
MO diagram

CO-MO diagram

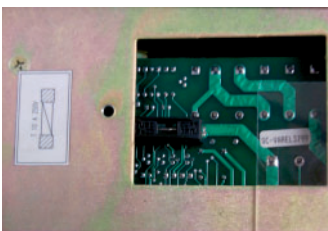
Operating instructions



By rotating the key to the manual position, it is possible to operate manually through the handle, at the same time the electrical operation is inhibited. During manual operation, the display will continue to show the different changeover positions (I-0-II).



It is possible to fit in the proper padlocking device up to three padlocks. When padlocked, both manual and electrical operations are inhibited.



On the side of the housing is the fuse space. In case of fuse blow-out, the led corresponding to the fuse to be replaced lights up.



Handle for manual operation with sliding handgrip. To be stored near the disconnector.

Dilos 6S MO - Loadbreak disconnectors



	Description	In (A)	Cat. no.	Ref. no.	Pack.
3P	With transparent main contact cover shield and spare handle	800	D/661365-281	731575	1
		1000	D/661366-281	731589	1
		1250	D/661367-281	731607	1
4P	With transparent main contact cover shield and spare handle	800	D/661465-281	731668	1
		1000	D/661466-281	731682	1
		1250	D/661467-281	731696	1

Dilos 7S MO - Loadbreak disconnectors

	Description	In (A)	Cat. no.	Ref. no.	Pack.
3P	With transparent main contact cover shield and spare handle	1600	D/661371-281	731622	1
4P	With transparent main contact cover shield and spare handle	1600	D/661471-281	731711	1

Dilos 8S MO - Loadbreak disconnectors

	Description	In (A)	Cat. no.	Ref. no.	Pack.
3P	With transparent main contact cover shield and spare handle	2000	D/661382-281	731638	1
		2500	D/661385-281	731648	1
4P	With transparent main contact cover shield and spare handle	2000	D/661482-281	731723	1
		2500	D/661485-281	731729	1

Dilos 9S MO - Loadbreak disconnectors

	Description	In (A)	Cat. no.	Ref. no.	Pack.
3P	With transparent main contact cover shield and spare handle	3150	D/661393-281	731656	1
3P+N 50%	With transparent main contact cover shield and spare handle	3150	D/661793-281	731773	1

Fulos 3S MO - Fused loadbreak disconnectors

According to DIN	Description	In (A)	Cat. no.	Ref. no.	Pack.
3P	NH 3 - With spare handle and cover shield	630	D/662361-281	731819	1
3P+N	NH 3 - With spare handle and cover shield	630	D/662461-281	731849	1
According to BS	Description	In (A)	Cat. no.	Ref. no.	Pack.
3P	BS C1-C2 (TM / TTM - 690V) - With spare handle and cover shield	630	D/662362-281	731829	1
	BS C3 (TLM - 690V) - With spare handle and cover shield	800	D/662363-281	731839	1
3P+N	BS C1-C2 (TM / TTM - 690V) - With spare handle and cover shield	630	D/662462-281	731859	1
	BS C3 (TLM - 690V) - With spare handle and cover shield	800	D/662463-281	731869	1

Accessories



Terminal cover - transparent		
D/662962-223	731895	1
1 upper box terminal cover		

Terminal cover - transparent		
D/662962-224	731896	1
1 lower box terminal cover		



CO-Dilos 6S MO - Changeover loadbreak disconnectors



	Description	In (A)	Cat. no.	Ref. no.	Pack.
3P	With transparent main contact cover shield and spare handle	800	D/661365-285	731576	1
		1000	D/661366-285	731590	1
		1250	D/661367-285	731608	1
4P	With transparent main contact cover shield and spare handle	800	D/661465-285	731669	1
		1000	D/661466-285	731683	1
		1250	D/661467-285	731697	1

CO-Dilos 7S MO - Changeover loadbreak disconnectors

	Description	In (A)	Cat. no.	Ref. no.	Pack.
3P	With transparent main contact cover shield and spare handle	1600	D/661371-285	731625	1
4P	With transparent main contact cover shield and spare handle	1600	D/661471-285	731712	1

CO-Dilos 8S MO - Changeover loadbreak disconnectors

	Description	In (A)	Cat. no.	Ref. no.	Pack.
3P	With transparent main contact cover shield and spare handle	2000	D/661382-285	731639	1
		2500	D/661385-285	731649	1
3P+N 50%	With transparent main contact cover shield and spare handle	2000	D/661782-285	731756	1
		2500	D/661785-285	731763	1

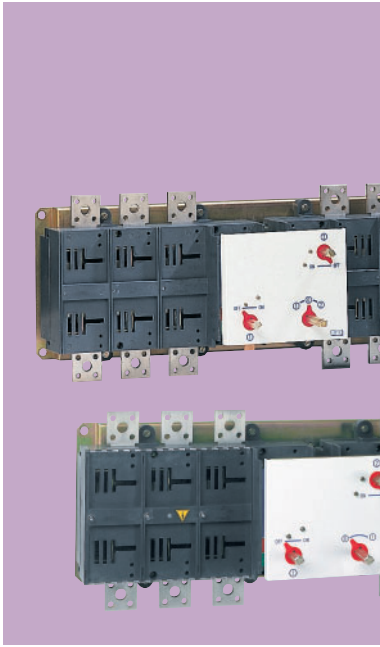
Accessories for CO-Dilos 6S MO



Terminal cover - transparent		
D/662962-223	731895	1
1 upper box terminal cover		

Terminal cover - transparent		
D/662962-224	731896	1
1 lower box terminal cover		





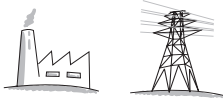
Manual changeover loadbreak disconnectors - 50kA 6P loadbreak disconnectors - 35kA

CO-Dilos 6S - 800A up to 1250A
CO-Dilos 7S - 1600A
CO-Dilos 8S - 2000A/2500A

6P Dilos 6S - 800A up to 1250A



Applications



Approvals / Marking



Performance

Panel mounting
Safety disconnector (main disconnector)
Disconnect function
Visible contact indication - transparent cover
Quick make and quick break mechanism
Independent opening and closing
Positive contact indication (PCI)
Double knife contacts - high short-circuit resistance
Number of poles 3P - 4P = changeover
6P = 6P Dilos

Standards

IEC 60947-1 and IEC 60947-3, DIN VDE 0660 Teil 107,
DIN VDE 0113 Teil 1, BS EN 60947-3, CEI 17-11 (Fasc. 1039),
EN 60947-3, NBN EN 60947-3, NF C 63-130

Technical data ● pg. C.2
Dimensions ● pg. E.18/E.20

CO-Dilos 6S - Changeover loadbreak disconnectors



	Description	In (A)	Cat. no.	Ref. no.	Pack.
3P	With transparent main contact cover shield and door interlock handle - IP65	800	D/661365-255	731572	1
		1000	D/661366-255	731586	1
		1250	D/661367-255	731602	1
4P	With transparent main contact cover shield and door interlock handle - IP65	800	D/661465-255	731665	1
		1000	D/661466-255	731679	1
		1250	D/661467-255	731693	1

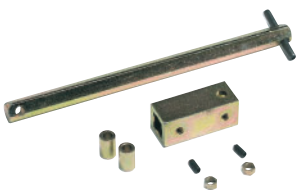
CO-Dilos 7S - Changeover loadbreak disconnectors

	Description	In (A)	Cat. no.	Ref. no.	Pack.
3P	With transparent main contact cover shield and door interlock handle - IP65	1600	D/661371-255	731619	1
4P	With transparent main contact cover shield and door interlock handle - IP65	1600	D/661471-255	731707	1

CO-Dilos 8S - Changeover loadbreak disconnectors

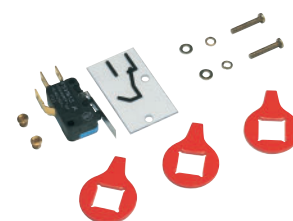
	Description	In (A)	Cat. no.	Ref. no.	Pack.
3P	With transparent main contact cover shield and door interlock handle - IP65	2000	D/661382-255	731635	1
		2500	D/661385-255	731647	1
3P+N 50%	With transparent main contact cover shield and door interlock handle - IP65	2000	D/661782-255	731755	1
		2500	D/661785-255	731762	1

Accessories



Extension shaft		
D/662960-200	731881	1
200 mm		

Auxiliary contacts (CO)		
D/661971-201	731794	1
1NO+1NC		



Terminal covers - transparent		
D/662962-223	731895	1
1 upper box terminal cover for Dilos 6S		

D/661971-202	731795	1
2NO+2NC		



D/662962-224	731896	1
1 lower box terminal cover for Dilos 6S		

Technical data, see page B.16

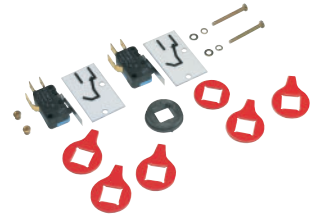
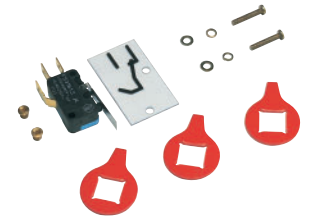
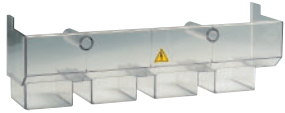
6P Dilos 6S - Loadbreak disconnectors

6P	Description	In (A)	Cat. no.	Ref. no.	Pack.
		800	D/661665-231	731745	1
	With transparent main contact cover shield and door interlock handle - IP65	1000	D/661666-231	731747	1
		1250	D/661667-231	731749	1



Accessories

Keylock	Auxiliary contacts (CO)	
	D/062960-240 730857 1	D/661971-201 731794 1
Plug-in, Fiat key (code H235) Lockable in OFF position Key removable in OFF position	1NO+1NC	
Terminal covers - transparent	Auxiliary contacts (CO)	
D/662962-223 731895 1	D/661971-202 731795 1	
1 upper box terminal cover	2NO+2NC	
D/662962-224 731896 1		
1 lower box terminal cover		
	Technical data, see page B.16	





Benefits

A

Order codes

B

Technical data

C

C.2 **Dilos** - Loadbreak disconnectors for DIN-rail mounting

Installation facilities

D

C.4 **Dilos** - Loadbreak disconnectors for wall mounting

Dimensions

E

C.6 **Fulos** - Fused loadbreak disconnectors for wall mounting

Numerical Index

X



Dilos - Loadbreak disconnectors for DIN-rail mounting


			Dilos 00	Dilos 00	Dilos 00	Dilos 00	Dilos 0
Conventional enclosed thermal current $I_{the} = I_{th}$	(A)		16	25	32	40	32
Number of poles			3	3	3	3	2/3/4
Frequency	(Hz)		50/60	50/60	50/60	50/60	50/60
Rated thermal current at	40°C	(A)	16	25	32	40	32
	50°C	(A)	16	25	32	40	32
	60°C	(A)	16	25	32	40	32
Power loss per pole	(W)		0.12	0.35	0.6	1	0.6
Terminal capacity (Cu)	minimum	(mm ²)	1.5	1.5	1.5	1.5	2.5
	maximum	(mm ²)	16	16	16	16	25
Maximum torque on terminals	(Nm)		2.2	2.2	2.2	2.2	-
Rated operational voltage U_e	(V)		690	690	690	690	415
Rated insulation voltage U_i	(V)		690	690	690	690	415
Rated impulse withstand voltage (2000m) U_{imp}	(kV)		8	8	8	8	8
Impulse test voltage at sea level	(kV)		12.3	12.3	12.3	12.3	12.3
Rated operational current I_e AC21A	$U_e=400V$	(A)	16	25	32	40	32
	$U_e=415V$	(A)	16	25	32	40	32
	$U_e=500V$	(A)	16	25	32	40	-
	$U_e=690V$	(A)	16	25	32	40	-
Rated operational current I_e AC22A	$U_e=400V$	(A)	16	25	32	40	32
	$U_e=415V$	(A)	16	25	32	40	32
	$U_e=500V$	(A)	16	25	32	40	-
	$U_e=690V$	(A)	16	25	32	40	-
Rated operational current I_e AC23A	$U_e=400V$	(A)	16	25	32	40	32
	$U_e=415V$	(A)	16	25	32	40	32
	$U_e=500V$	(A)	16	25	32	40	-
	$U_e=690V$	(A)	16	25	25	25	-
Maximum rated operational power at rated duty AC23	$U_e=400V$	(kW)	7.5	7.5	11	11	17
	$U_e=415V$	(kW)	7.5	7.5	11	11	17
	$U_e=500V$	(kW)	7.5	7.5	11	15	-
	$U_e=690V$	(kW)	11	11	11	18.5	-
Rated making and breaking capacity at 415V AC23A	making $10 \times I_e$	(A)	160	250	320	400	320
	breaking $8 \times I_e$	(A)	128	200	256	320	256
Rated short time withstand current I_{cw}	1 s.	(kA rms)	1	1	1.2	1.2	2.5
	0.25 s.	(kA rms)	-	-	-	-	-
Rated short-circuit making capacity I_{cm}	$U_e=400V$	(kA peak)	4.5	4.5	4.5	4.5	6
	$U_e=415V$	(kA peak)	4.5	4.5	4.5	4.5	6
	$U_e=500V$	(kA peak)	3	3	3	3	-
	$U_e=690V$	(kA peak)	3	3	3	3	-
Rated conditional short-circuit current with back-up protection featuring the same current rating as the switch (kA rms)	400V	(kA)	50	50	50	50	15
	415V	(kA)	50	50	50	50	15
	500V	(kA)	50	50	50	50	-
	690V	(kA)	50	50	50	50	-
Rated capacity power at 400V	(kVAR)		-	-	-	-	-
Rated operational current DC23A	2P in series 110V	(A)	-	25	32	40	-
	2P in series 220V	(A)	-	25	-	-	-
	4P in series 220V	(A)	-	-	-	-	-
Operating torque	(Nm)		0.5	0.5	0.5	0.5	2.5
Force	(N)		-	-	-	-	50
Durability (number of operational cycles)	electrical		3000	3000	3000	3000	1000
	mechanical (min)		40000	40000	40000	40000	10000
UL listed following UL file E143291 (acc. UL508)							
UL 508 General Use 480V	I_n	(A)	-	-	-	-	-
UL 508 Manual motor controller 480V	FLA	(A)	-	-	-	-	-
	Power	(HP)	-	-	-	-	-
UL short-circuit at 480V	K5fu	(kA)	-	-	-	-	-
	UL J-fuses	(kA)	-	-	-	-	-
Weight	2P	(kg)	0.125	0.125	0.125	0.125	0.27
	3P	(kg)	0.125	0.125	0.125	0.125	0.29
	4P	(kg)	0.170	0.170	0.170	0.170	0.33

Dilos 0	Dilos 0	Dilos 1	Dilos 1	Dilos 1	Dilos 1	Dilos 1	Dilos 2	Dilos 2
40	63	40	63	80	100	125	160	200
2/3/4	2/3/4	2/3/4	2/3/4	2/3/4	2/3/4	2/3/4	2/3/4	2/3/4
50/60	50/60	50/60	50/60	50/60	50/60	50/60	50/60	50/60
40	63	40	63	80	100	125	160	200
40	63	40	63	80	100	125	160	200
40	63	40	63	80	100	125	160	200
1	1.6	0.48	1.2	1.84	2.9	4.5	6.5	10
2.5	2.5	6	6	6	6	6	Cu-rail	Cu-rail
25	25	50	50	50	50	50	20x6	20x6
-	-	12	12	12	12	12	12	12
415	415	690	690	690	690	690	690	690
415	415	690	690	690	690	690	690	690
8	8	8	8	8	8	8	8	8
12.3	12.3	12.3	12.3	12.3	12.3	12.3	12.3	12.3
40	63	40	63	80	100	125	160	200
40	63	40	63	80	100	125	160	200
-	-	40	63	80	100	100	160	200
-	-	40	63	80	100	100	160	200
40	63	40	63	80	100	125	160	200
40	63	40	63	80	100	125	160	200
-	-	40	63	80	100	100	160	200
-	-	40	50	63	63	63	160	200
40	63	40	50	80	80	80	125	160
40	63	40	50	80	80	80	125	160
-	-	25	32	50	50	50	125	125
-	-	18	25	40	40	40	63	80
21	21	21	27	44	44	44	69	88
21	21	22	28	46	46	46	72	92
-	-	22	22	35	35	35	86	86
-	-	22	22	36	36	36	60	76
400	630	400	630	800	1000	1250	1600	2000
320	504	320	504	640	800	1000	1280	1600
2.5	2.5	3	3	3	3	3	3	3
-	-	6	6	6	6	6	6	6
6	6	6.8	6.8	6.8	6.8	6.8	10	10
6	6	6.8	6.8	6.8	6.8	6.8	10	10
-	-	4.5	4.5	4.5	4.5	4.5	6.7	6.7
-	-	4.5	4.5	4.5	4.5	4.5	6.7	6.7
15	15	50	50	50	50	50	50	50
15	15	50	50	50	50	50	50	50
-	-	50	50	50	50	50	50	30
-	-	32	32	32	32	32	20	18
-	-	20	30	40	50	60	77	97
-	-	40	63	80	100	100	160	160
-	-	40	63	-	-	-	100	100
-	-	-	-	80	100	125	160	160
2.5	2.5	1.4	1.4	1.4	1.4	1.4	1.4	1.4
50	50	45	45	45	45	45	45	45
1000	1000	1500	1500	1500	1500	1500	1000	1000
10000	10000	20000	20000	20000	20000	20000	10000	10000
-	-	-	60	-	-	80	100	125
-	-	-	21	-	-	27	34	40
-	-	-	15	-	-	20	25	30
-	-	-	40	-	-	40	40	40
-	-	-	50	-	-	50	50	50
0.27	0.27	0.48	0.48	0.48	0.48	0.48	0.62	0.62
0.29	0.29	0.54	0.54	0.54	0.54	0.54	0.73	0.73
0.33	0.33	0.59	0.59	0.59	0.59	0.59	0.77	0.77

Dilos
A
B
C
D
E
X



Dilos - Loadbreak disconnectors for wall mounting

			Dilos 1H	Dilos 1H	Dilos 1H	Dilos 3	Dilos 3	Dilos 3	
Conventional enclosed thermal current $I_{the} = I_{th}$			(A)	40	63	125	160	200	250
Number of poles				3/4	3/4	3/4	3/4	3/4	3/4
Frequency			(Hz)	50/60	50/60	50/60	50/60	50/60	50/60
Rated thermal current at	40°C	(A)	40	63	125	160	200	250	
	50°C	(A)	40	63	125	160	200	250	
	60°C	(A)	40	63	125	160	200	250	
Power loss per pole			(W)	0.9	2.2	8.5	3	4.8	7.5
Terminal capacity (Cu)	minimum	(mm ²)	6	6	6	Cu-rail	Cu-rail	Cu-rail	
	maximum	(mm ²)	50	50	50	30x6	30x6	30x6	
Maximum torque on terminals			(Nm)	12	12	12	12	12	12
Rated operational voltage U_e			(V)	690	690	690	690	690	690
Rated insulation voltage U_i			(V)	1000	1000	1000	1000	1000	1000
Rated impulse withstand voltage (2000m) U_{imp}			(kV)	8	8	8	8	8	8
Impulse test voltage at sea level			(kV)	12.3	12.3	12.3	12.3	12.3	12.3
Rated operational current I_e	$U_e=400V$	(A)	40	63	125	160	200	250	
	AC21A up to 250A	$U_e=415V$	(A)	40	63	125	160	200	250
	AC21B from 315A	$U_e=500V$	(A)	40	63	125	160	200	250
		$U_e=690V$	(A)	40	63	125	160	200	250
Rated operational current I_e	$U_e=400V$	(A)	40	63	125	160	200	250	
	AC22A up to 250A	$U_e=415V$	(A)	40	63	125	160	200	250
	AC22B from 315A	$U_e=500V$	(A)	40	63	125	160	200	250
		$U_e=690V$	(A)	40	63	125	160	200	250
Rated operational current I_e	$U_e=400V$	(A)	40	63	125	160	200	250	
	AC23A up to 250A	$U_e=415V$	(A)	40	63	125	160	200	250
	AC23B from 315A	$U_e=500V$	(A)	40	63	125	160	200	250
		$U_e=690V$	(A)	40	50	50	160	200	250
Maximum rated operational power at rated duty AC23	$U_e=400V$	(kW)	21	30	69	88	88	135	
	$U_e=415V$	(kW)	22	33	72	92	92	140	
	$U_e=500V$	(kW)	27	44	86	110	175	175	
	$U_e=690V$	(kW)	36	45	45	140	190	190	
Rated making and breaking capacity at 500Vac 23A	making 10 x I_e	(A)	400	630	1250	1600	2000	2500	
	breaking 8 x I_e	(A)	320	504	1000	1280	1600	2000	
Rated short time withstand I_{cw}	1 s.	(kA rms)	3	3	3	9	9	9	
	0.25 s.	(kA rms)	6	6	6	15	15	15	
Rated short-circuit making capacity I_{cm}	$U_e=400V$	(kA peak)	10	10	10	30	30	30	
	$U_e=415V$	(kA peak)	10	10	10	30	30	30	
	$U_e=500V$	(kA peak)	7	7	7	30	30	30	
	$U_e=690V$	(kA peak)	7	7	7	30	30	30	
Rated conditional short-circuit current with back-up protection featuring the same current rating as the switch (kA ms)	400V	(kA)	50	50	50	100	100	100	
	415V	(kA)	50	50	50	100	100	100	
	500V	(kA)	50	50	50	100	100	100	
	690V	(kA)	33	33	33	100	100	100	
Rated capacity power at 400V			(kVAR)	19	30	60	77	97	120
Rated operational current DC23A	2P in series 110V	(A)	40	63	100	160	200	250	
	2P in series 220V	(A)	40	63	-	100	160	160	
	4P in series 220V	(A)	-	-	100	160	200	250	
Operating torque			(Nm)	8	8	8	12	12	12
Force			(N)	80	80	80	120	120	120
Durability (number of operational cycles)	electrical		5000	2000	1000	3000	1000	1000	
	mechanical (min)		15000	15000	10000	10000	10000	10000	
UL listed following UL file E143291 (acc UL508)									
UL 508 General Use 480V	In	A	30	60	100	-	-	-	
UL 508 Manual motor controller 480V	FLA	A	-	-	-	-	-	-	
	Power	(HP)	-	-	-	-	-	-	
UL short-circuit at 480V	K5fu	(kA)	10	10	10	-	-	-	
	UL J-fuses	(kA)	50	50	50	-	-	-	
Weight	2P	(kg)	-	-	-	-	-	-	
	3P	(kg)	1.18	1.18	1.18	2.75	2.75	2.75	
	4P	(kg)	1.25	1.25	1.25	2.90	2.90	2.90	

Technical data

A

B

C

D

E

X



Dilos 3	Dilos 4	Dilos 4	Dilos 4	Dilos 6S 35/50kA	Dilos 6S 35/50kA	Dilos 6S 35/50kA	Dilos 7S	Dilos 8S	Dilos 8S	Dilos 9S	Dilos 9
315	400	500	630	800	1000	1250	1600	2000	2500	3150	4000
3/4	3/4	3/4	3/4	3/4	3/4	3/4	3/4	3/4	3/4	3/4	3/4
50/60	50/60	50/60	50/60	50/60	50/60	50/60	50/60	50/60	50/60	50/60	50/60
315	400	500	630	800	1000	1250	1600	2000	2500	3150	4000
315	400	500	630	720	900	1125	1440	1800	2250	2835	3600
315	400	500	630	640	800	1000	1280	1600	2000	2520	3200
12	10.5	16	26	29	45	70	95	103	133	420	500
Cu-rail	Cu-rail	Cu-rail	Cu-rail	Cu-rail	Cu-rail	Cu-rail	Cu-rail	Cu-rail	Cu-rail	Cu-rail	Cu-rail
30x6	40x6	40x6	40x6	2x50x5	2x50x6	2x50x8	2x60x10	2x80x10	2x80x10	4x100x10	4x100x10
12	60	60	60	35	35	35	35	35	35	35	35
690	690	690	690	1000	1000	1000	1000	1000	1000	1000	1000
1000	1000	1000	1000	1500	1500	1500	1500	1500	1500	1500	1500
8	8	8	8	12	12	12	8	8	8	8	8
12.3	12.3	12.3	12.3	18.5	18.5	18.5	12.3	12.3	12.3	12.3	12.3
315	400	500	630	800	1000	1250	1600	2000	2500	3150	4000
315	400	500	630	800	1000	1250	1600	2000	2500	3150	4000
315	400	500	630	800	1000	1250	1600	2000	2500	3150	4000
315	400	500	630	800	1000	1250	1600	2000	2500	3150	4000
315	400	500	630	800	1000	1250	1600	2000	2500	-	-
315	400	500	630	800	1000	1250	1600	2000	2500	-	-
315	400	500	630	800	1000	1250	1250	1250	1250	-	-
315	400	500	630	800	1000	1250	1000	1000	800	-	-
315	400	500	630	800	1000	1250	1250	1250	-	-	-
315	400	500	630	800	1000	1250	1250	1250	-	-	-
315	400	500	630	630	800	800	800	800	-	-	-
200	400	400	450	500	630	630	630	630	-	-	-
165	218	270	335	-	-	-	-	-	-	-	-
175	230	285	375	-	-	-	-	-	-	-	-
220	295	370	405	-	-	-	-	-	-	-	-
190	390	440	440	-	-	-	-	-	-	-	-
3150	4000	5000	6300	8000	10000	12500	16000	20000	-	-	-
2520	3200	4000	5040	6400	8000	10000	12800	16000	-	-	-
9	20	20	20	35 / 50	35 / 50	35 / 50	50	50	50	50	50
15	35	35	35	70 / 100	70 / 100	70 / 100	120	120	140	140	100
30	60	60	60	73.5 / 105	73.5 / 105	73.5 / 105	105	105	105	105	105
30	60	60	60	73.5 / 105	73.5 / 105	73.5 / 105	105	105	105	105	105
30	60	60	60	-	-	-	-	-	-	-	-
30	60	60	60	-	-	-	-	-	-	-	-
70	100	100	100	50	50	50	50	50	50	50	50
70	100	100	100	50	50	50	50	50	50	50	50
50	100	100	100	-	-	-	-	-	-	-	-
50	100	100	100	-	-	-	-	-	-	-	-
152	193	242	305	380	475	600	780	850	1100	1250	-
315	400	-	-	800	1000	1250	800	800	-	-	-
160	-	-	-	800	1000	1000	800	800	-	-	-
315	400	-	-	-	-	-	-	-	-	-	-
12	40	40	40	45 / 70	45 / 70	45 / 70	70	70	70	70	150
120	333	333	333	160	160	160	174	174	174	174	330
800	1000	700	500	1000	1000	1000	1000	500	500	500	500
10000	5000	5000	5000	4000	4000	4000	4000	2500	2500	2500	2500
-	-	-	-	-	-	-	-	-	-	-	-
-	-	-	-	-	-	-	-	-	-	-	-
-	-	-	-	-	-	-	-	-	-	-	-
-	-	-	-	-	-	-	-	-	-	-	-
-	-	-	-	-	-	-	-	-	-	-	-
2.75	9.00	9.00	9.00	11	11	11	17	19	27	40	84
2.90	9.60	9.60	9.60	12	12	12	19	20	30	44	108

Dilos

A

B

C

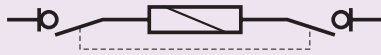
D

E

X



Fulos - Fused loadbreak disconnectors for wall mounting



		Fulos 000 NF 22 x 58	Fulos 000 DIN 00	Fulos 000 DIN 00	Fulos 000 DIN 00	Fulos 00 DIN 00	Fulos 1 DIN 1	
Conventional thermal current Ith	(A)	100	32	63	125	160	250	
Conventional enclosed thermal current Ithe	(A)	100	32	63	125	160	250	
Number of poles		3/3+N	3/3+N	3/3+N	3/3+N	3/3+N	3/3+N	
Frequency	(Hz)	50/60	50/60	50/60	50/60	50/60	50/60	
Rated thermal current at	40°C	(A) 125	32	63	125	160	250	
	50°C	(A) 112	32	63	112	160	250	
	60°C	(A) 100	32	63	100	160	250	
Power loss per pole (switch only)	(W)	8.5	0.65	2.5	6.5	5.2	6.5	
Power loss per pole (fuse only)	(W)	7.5	7.5	7.5	7.5	15	32	
Terminal capacity (Cu)	minimum	(mm ²) 6	6	6	6	Cu-rail	Cu-rail	
	maximum	(mm ²) 50	50	50	50	30x6	2x40x6	
Maximum torque on terminals	(Nm)	12	12	12	12	12	60	
Rated operational voltage Ue	(V)	690	690	690	690	690	690	
Rated insulation voltage Uimp	(V)	1000	1000	1000	1000	1000	1000	
Rated impulse withstand voltage (2000m) Uimp	(kV)	8	8	8	8	8	8	
Impulse test voltage at sea level	(kV)	12.3	12.3	12.3	12.3	12.3	12.3	
Rated operational current Ie ⁽¹⁾	Ue=400V	(A) 125	32	63	125	160	250	
	AC21A up to 250A	Ue=415V	(A) 125	32	63	125	160	250
	AC21B from 315A	Ue=500V	(A) 125	32	63	125	160	250
		Ue=690V	(A) 125	32	63	125	160	250
Rated operational current Ie ⁽¹⁾	Ue=400V	(A) 125	32	63	125	160	250	
	AC22A up to 250A	Ue=415V	(A) 125	32	63	125	160	250
	AC22B from 315A	Ue=500V	(A) 125	32	63	125	160	250
		Ue=690V	(A) 125	32	63	125	160	250
Rated operational current Ie ⁽¹⁾	Ue=400V	(A) 125	32	63	125	160	250	
	AC23A up to 250A	Ue=415V	(A) 125	32	63	125	160	250
	AC23B from 315A	Ue=500V	(A) 100	32	63	125	160	250
		Ue=690V	(A) 80	32	50	50	125	250
Maximum rated operational power at rated duty AC23	Ue=400V	(kW) 69	16	30	69	88	135	
	Ue=415V	(kW) 72	18	33	72	92	140	
	Ue=500V	(kW) 86	23	44	86	110	175	
	Ue=690V	(kW) 45	29	45	45	115	238	
Rated making and breaking capacity at 500V AC23A	making	(A) 1000	1000	1000	1000	1600	2500	
	breaking	(A) 800	800	800	800	1280	2000	
Rated conditional short-circuit current with back-up protection featuring the same current rating as the switch (kA rms)	400V	(kA) 100	50	50	100	100	100	
	415V	(kA) 100	50	50	100	100	100	
	500V	(kA) 100	50	50	100	100	100	
	690V	(kA) 33	33	33	33	100	100	
Rated capacity power at 400V	(kVAR)	60	16	30	60	77	120	
Rated operational current DC23A	2P in series 110V	(A) 100	32	63	100	160	250	
	2P in series 220V	(A) 63	32	63	-	100	160	
	4P in series 220V	(A) 100	-	-	100	160	250	
Operating torque	(Nm)	8	8	8	8	12	40	
Force	(N)	80	80	80	80	120	333	
Durability (number of operational cycles)	electrical	3000	5000	3000	1500	1000	1000	
	mechanical (min)	10000	10000	10000	10000	10000	5000	
Weight	3P	(kg) 1.20	1.27	1.27	1.27	3.05	10.60	
	4P	(kg) 1.27	1.35	1.35	1.35	3.21	11.20	

(1) NF 125A AC21..23B
DIN 125A AC21..23B

Fulos 2 DIN 2	Fulos 3S DIN 3	Fulos 4 DIN 4	Fulos 000 BS A2	Fulos 000 BS A3	Fulos 000 BS A3	Fulos 00 BS A4	Fulos 00 BS A4	Fulos 1 BS B1-B2	Fulos 1 BS B4	Fulos 2 BS B3-B4	Fulos 3S BS C1-C2	Fulos 3S BS C3	Fulos 4 BS D1
400	630	1000	32	63	100	100	200	200	400	400	630	800	1250
400	630	1000	32	63	100	100	200	200	400	400	630	800	1250
3/3+N	3/3+N	3/3+N	3/3+N	3/3+N	3/3+N	3/3+N	3/3+N	3/3+N	3/3+N	3/3+N	3/3+N	3/3+N	3/3+N
50/60	50/60	50/60	50/60	50/60	50/60	50/60	50/60	50/60	50/60	50/60	50/60	50/60	50/60
400	630	1000	32	63	100	100	200	200	400	400	630	800	1250
400	567	900	32	63	100	100	200	200	400	400	567	720	1125
400	504	800	32	63	100	100	200	200	400	400	504	640	1000
16			2.5	2.5	6.5	2	4.8	3.6	15	15	-	-	-
45	50	125	7.5	7.5	7.5	16	32	32	45	45	50	75	195
Cu-rail	Cu-rail	Cu-rail	6	6	6	Cu-rail	Cu-rail	Cu-rail	Cu-rail	Cu-rail	Cu-rail	Cu-rail	Cu-rail
2x40x6	2x40x6	2x50x10	50	50	50	30x6	30x6	2x40x6	2x40x6	2x40x6	2x40x6	2x40x6	2x60x10
60	35	35	12	12	12	12	12	60	60	60	35	35	35
690	1000	690	690	690	690	690	690	690	690	690	1000	1000	690
1000	1500	1000	1000	1000	1000	1000	1000	1000	1000	1000	1500	1500	1000
8	8	8	8	8	8	8	8	8	8	8	8	8	8
12.3	12.3	12.3	12.3	12.3	12.3	12.3	12.3	12.3	12.3	12.3	12.3	12.3	12.3
400	630	1000	32	63	100	100	200	200	400	400	630	800	1250
400	630	1000	32	63	100	100	200	200	400	400	630	800	1250
400	630	1000	32	63	100	100	200	200	400	400	630	800	1250
400	630	1000	32	63	100	100	200	200	400	400	630	800	1250
400	630	1000	32	63	100	100	200	200	400	400	630	800	1250
400	630	1000	32	63	100	100	200	200	400	400	630	800	1250
400	630	1000	32	63	100	100	200	200	400	400	630	800	1250
400	630	1000	32	63	100	100	200	200	400	400	630	800	1250
400	630	1000	32	63	100	100	200	200	400	400	630	800	1250
400	630	1000	32	63	100	100	200	200	400	400	630	800	1250
300	630	1000	32	50	80	100	200	200	300	300	630	800	1250
218	-	-	16	30	50	50	88	100	218	218	330	330	-
230	-	-	18	33	55	55	92	110	230	230	-	-	-
295	-	-	23	44	72	72	175	140	295	295	-	-	-
290	-	-	29	45	45	90	190	190	290	290	-	-	-
4000	6300	10000	1000	1000	1000	1600	2400	3200	4000	4000	6300	8000	12500
3200	5040	8000	800	800	800	1000	2000	2800	3200	3200	5040	6400	10000
100	50	100	50	50	65	100	100	100	100	100	50	50	100
100	50	100	50	50	65	100	100	100	100	100	50	50	100
100	-	-	50	50	-	100	100	100	100	100	-	-	-
100	-	-	50	33	-	100	80	100	100	100	-	-	-
193	300	475	16	30	48	48	97	97	193	193	300	380	600
400	500	1000	32	63	100	100	200	200	400	400	500	500	1000
-		1000	32	63	-	63	160	160	-	-	-	-	1000
400	-	-	-	-	100	100	200	200	400	400	-	-	-
40	45	80	8	8	8	12	12	40	40	40	45	45	80
333	160	174	80	80	80	120	120	333	333	333	160	160	174
700	1000	1000	3000	3000	3000	1500	1000	1000	700	700	1000	1000	1000
5000	4000	4000	15000	15000	15000	10000	10000	5000	5000	5000	4000	4000	4000
10.60	13.00	33.00	1.22	1.22	1.27	3.11	3.11	11.20	11.20	11.20	13.00	13.00	33.00
11.20	14.50	42.00	1.29	1.29	1.35	3.27	3.27	11.80	11.80	11.80	14.50	14.50	42.00

Fulos

A

B

C

D

E

X



Just rel



Benefits

A

Order codes

B

Technical data

C

Installation facilities

D

D.2 Dilos 00 for DIN-rail mounting

Dimensions

E

D.3 Dilos 00 for door mounting

D.4 Dilos 0 - Dilos 1 - Dilos 2

Numerical Index

X

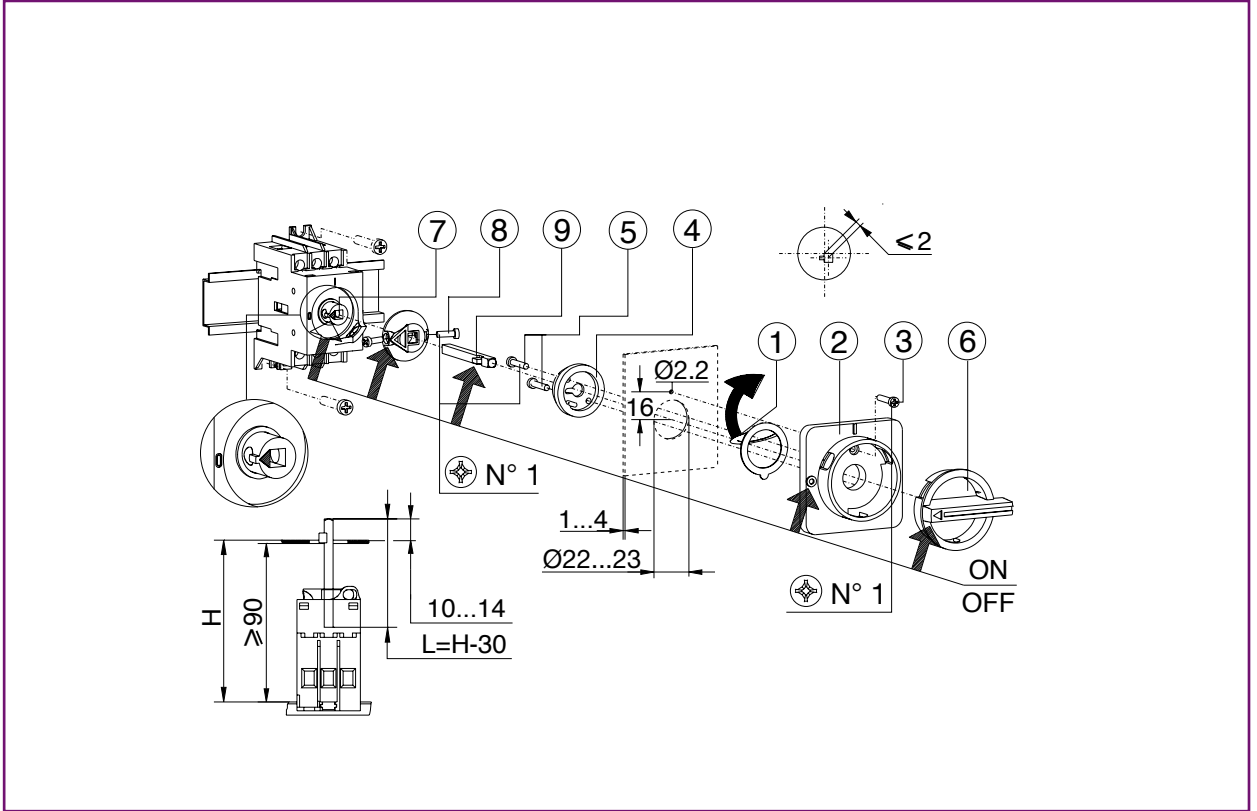
D.5 Dilos 2 - Dilos 3 - Dilos 4 / Fulos 00 - Fulos 1 - Fulos 2

y on us

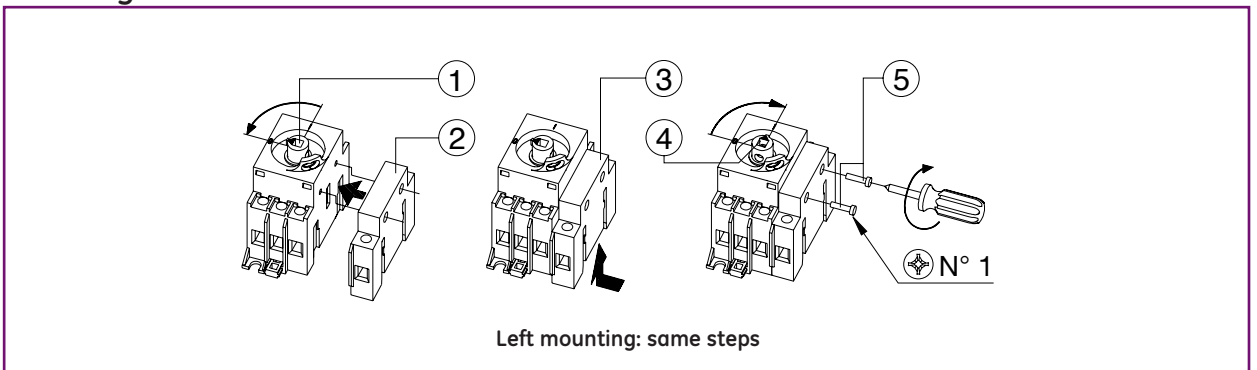


Dilos 00 for DIN-rail mounting

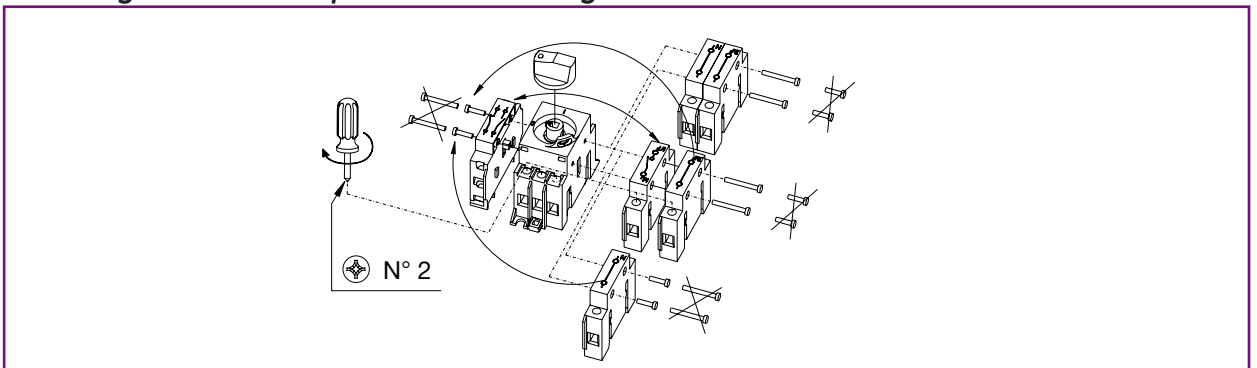
Rotary handle for door mounting and padlockable - IP65



Mounting of modules on the side of the switch

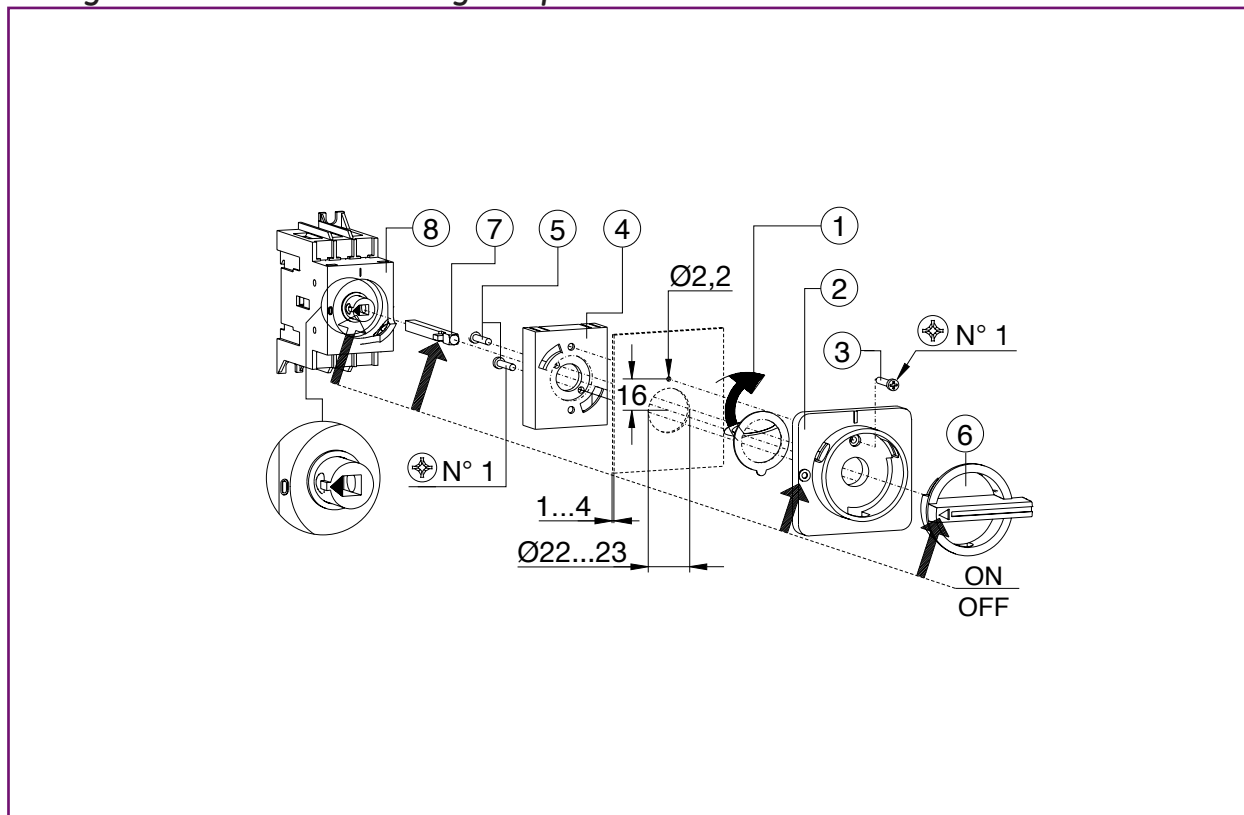


Mounting of additional poles and auxiliary contacts

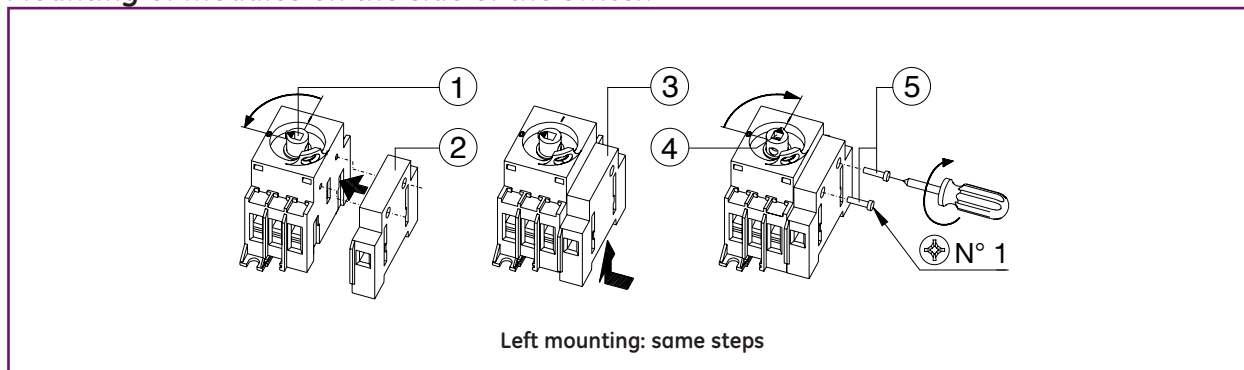


Dilos 00 for door mounting

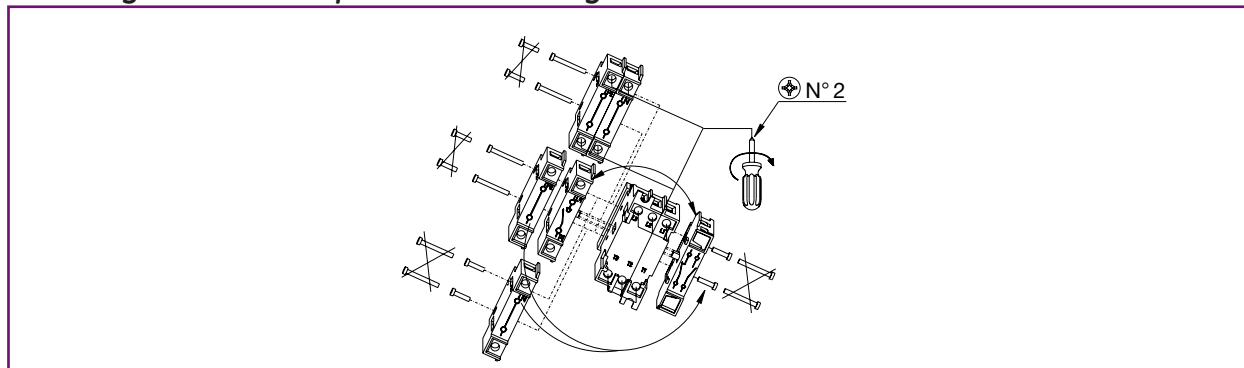
Rotary handle for door mounting and padlockable



Mounting of modules on the side of the switch

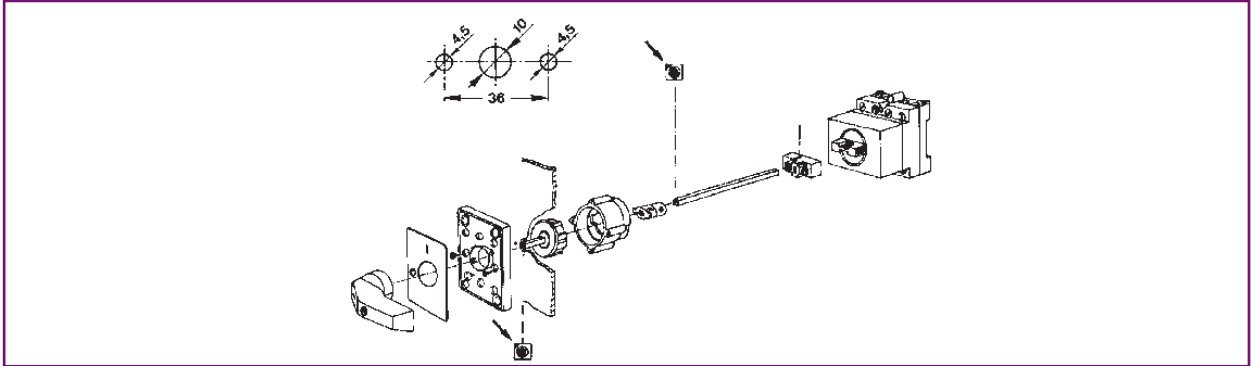


Mounting of additional poles and auxiliary contacts

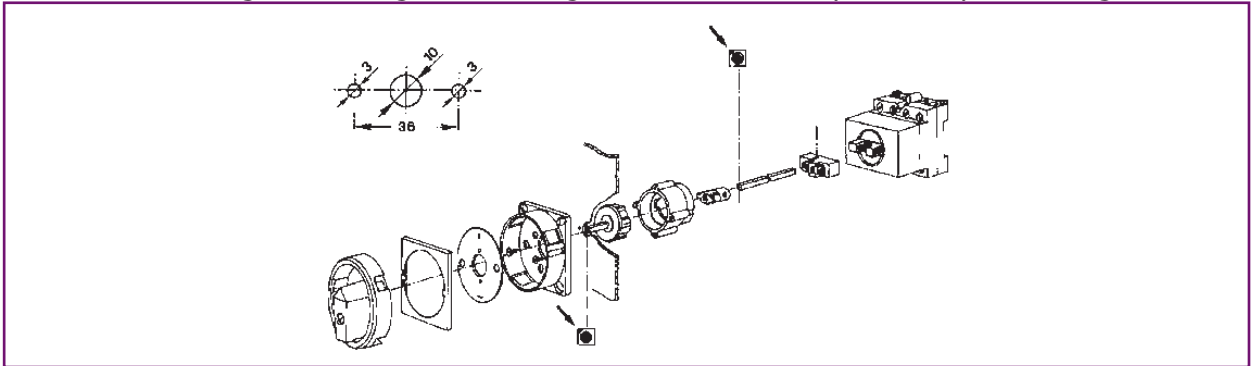


Installation facilities

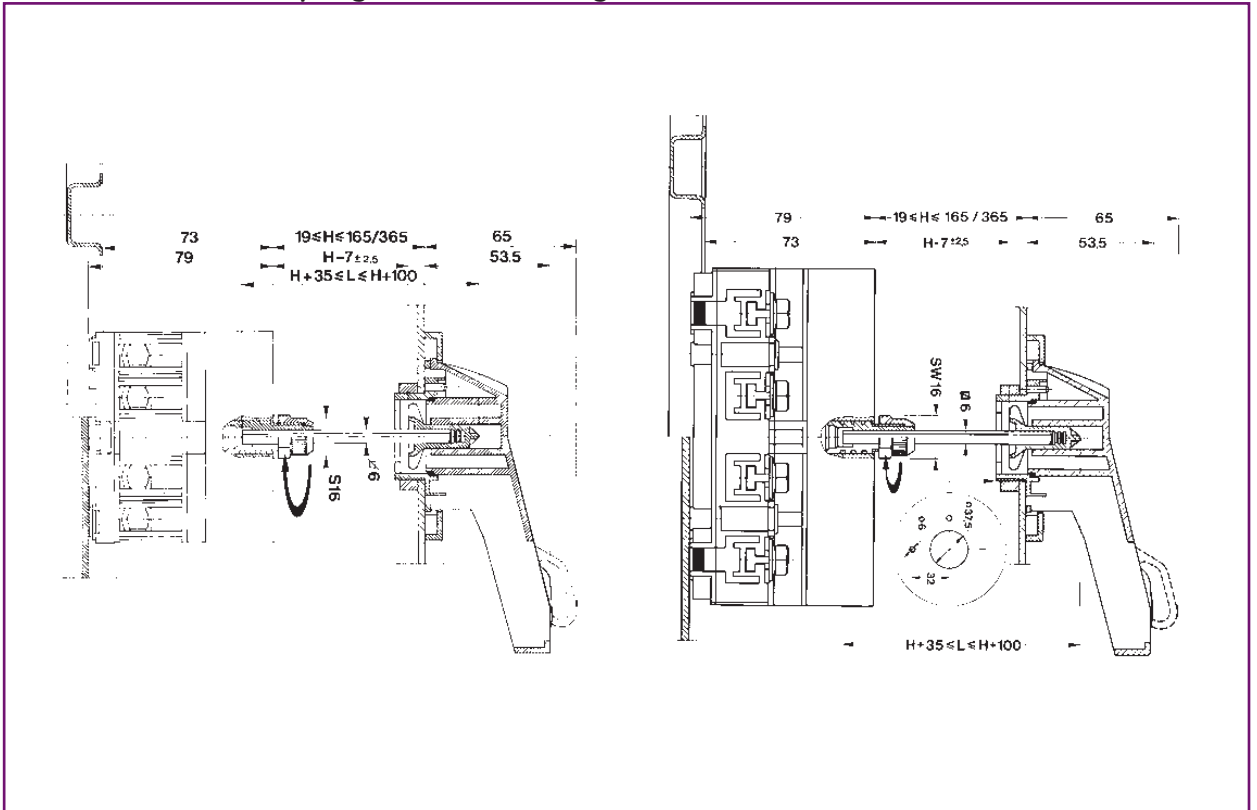
Dilos 0 - Mounting of a standard rotary handle with frontplate



Dilos 0 - Mounting of a red/yellow rotary handle with frontplate for padlocking

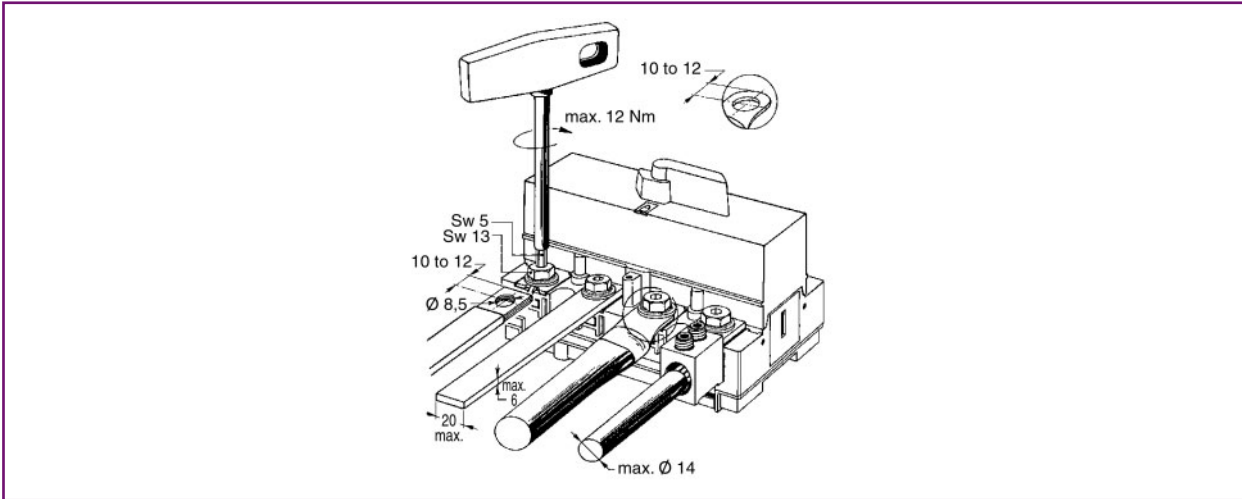


Dilos 1 / Dilos 2 - Coupling for cover or hinged door with extension shaft - IP65

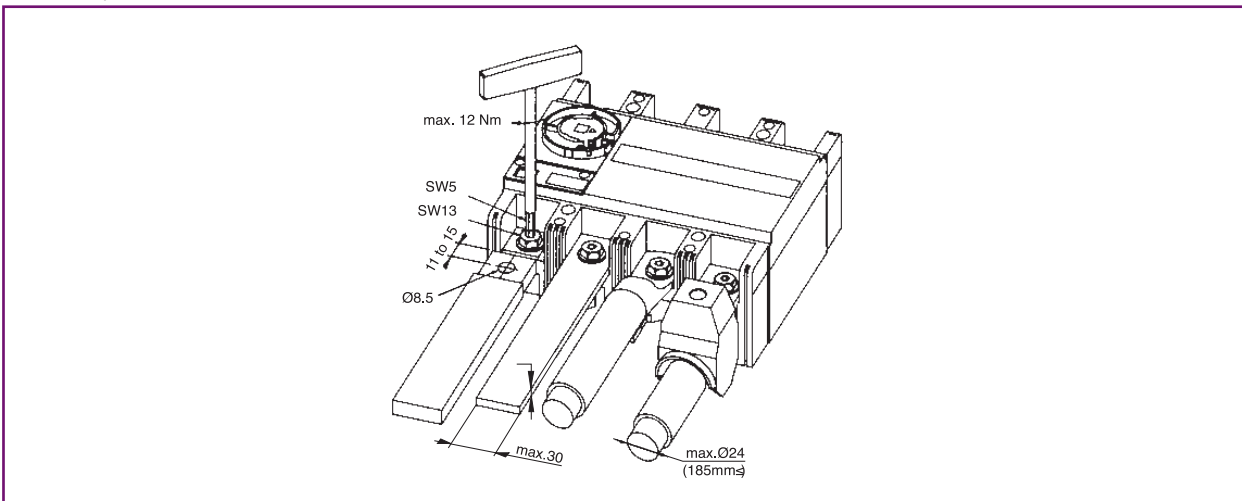


Installation facilities

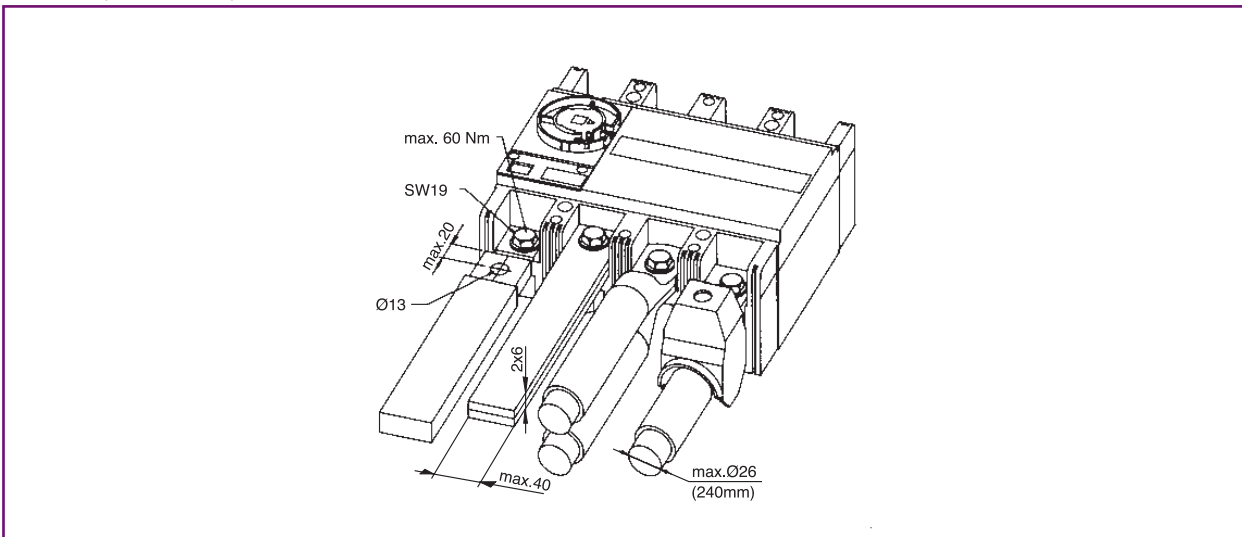
Dilos 2



Dilos 3 / Fulos 00



Dilos 4 / Fulos 1 / Fulos 2



- E.2 Dilos 00 - Dilos 0 - Dilos 1
 - E.3 Elos - Dilos 2 - Dilos 1H - Fulos 000
 - E.4 Dilos 3 - Dilos 4 - Fulos 00 - Fulos 1 - Fulos 2
 - E.5 Dilos 6S
 - E.6 Dilos 7S - Dilos 8S
 - E.7 Dilos 8S - Dilos 9S
 - E.8 Dilos 9 - Fulos 3S
 - E.9 Fulos 3S - Fulos 4
 - E.10 Dilos 6S BA - Dilos 7S BA
 - E.11 Dilos 8S BA - Fulos 3S BA
 - E.12 Fulos 3S BA - Dilos 6S MO
 - E.13 Dilos 7S MO - Dilos 8S MO
 - E.14 Dilos 8S MO - Dilos 9S MO
 - E.15 Fulos 3S MO
 - E.16 CO-Dilos 6S MO - CO-Dilos 7S MO
 - E.17 CO-Dilos 8S MO
 - E.18 CO-Dilos 6S - CO-Dilos 7S
 - E.19 CO-Dilos 8S
-
- E.20 6P Dilos 6S
 - E.21 Changeover system - 6/8P system - Dilos 1H / Fulos 000
 - E.22 Changeover system - Dilos 3 / Fulos 00
 - E.23 6/8P system - Dilos 3 / Fulos 00
 - E.24 Changeover system - Dilos 4 / Fulos 1/2
 - E.25 Rear terminals - Dilos 3/4 - Fulos 00/1/2
 - E.25 Terminal covers - Dilos 3/4 - Fulos 00/1/2
 - E.26 Direct handles for Dilos 1H/3/4 - Fulos 000/00/1/2
 - E.27 Handles for cover or hinged door - Dilos 1H/3 - Fulos 000/00
 - E.27 Direct handles for Dilos 4 - Fulos 1/2
 - E.28 Handles for inner door - Dilos 1H/3/4 - Fulos 000/00/1/2

Benefits

A

Order codes

B

Technical data

C

Installation facilities

D

Dimensions

E

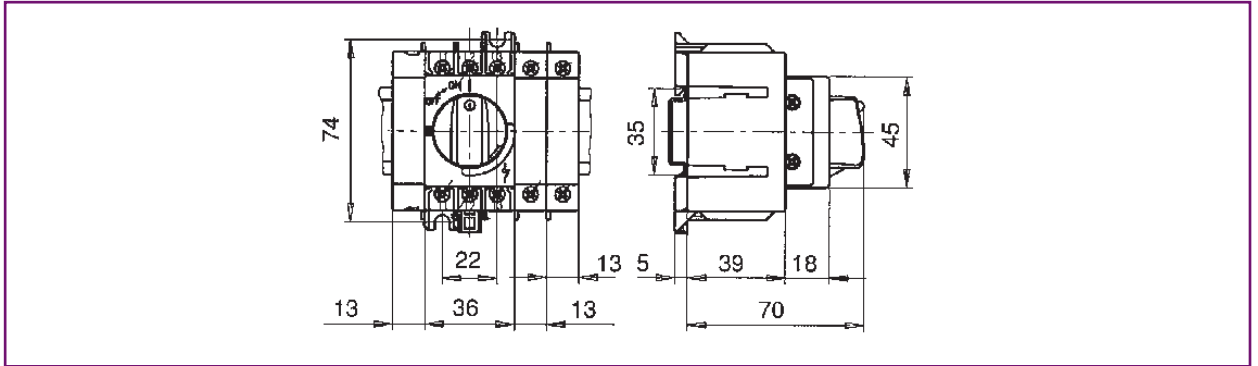
Numerical Index

X

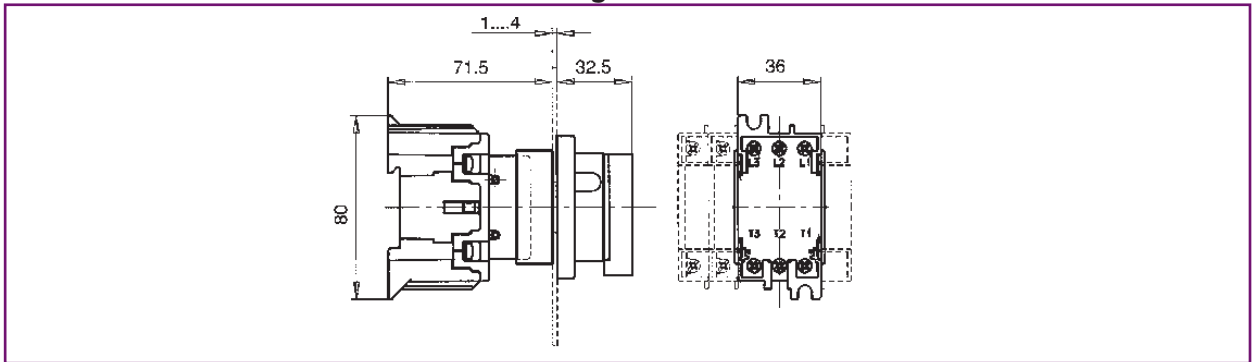


Dimensions

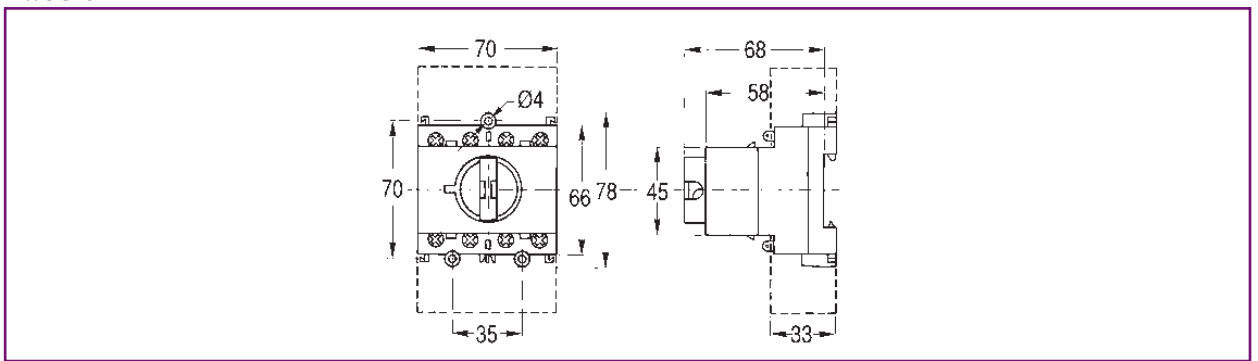
Dilos 00 - DIN-rail disconnectors



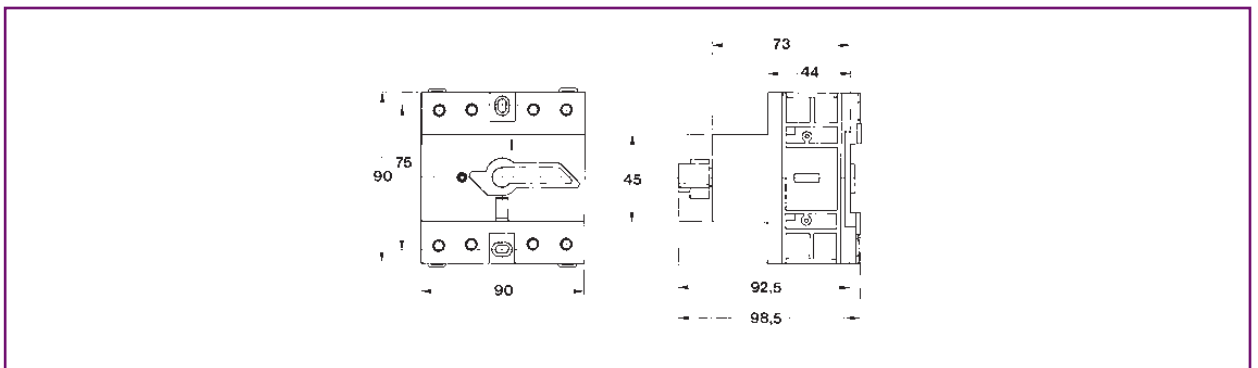
Dilos 00 - Disconnectors for door mounting



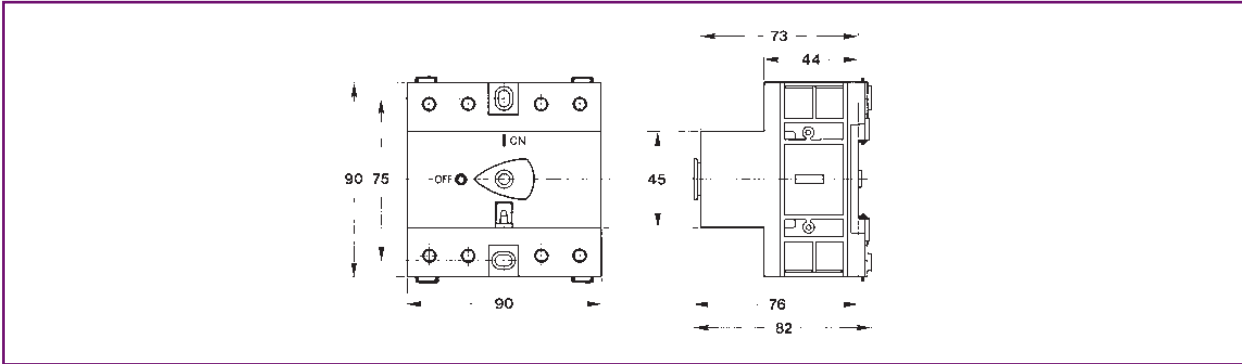
Dilos 0



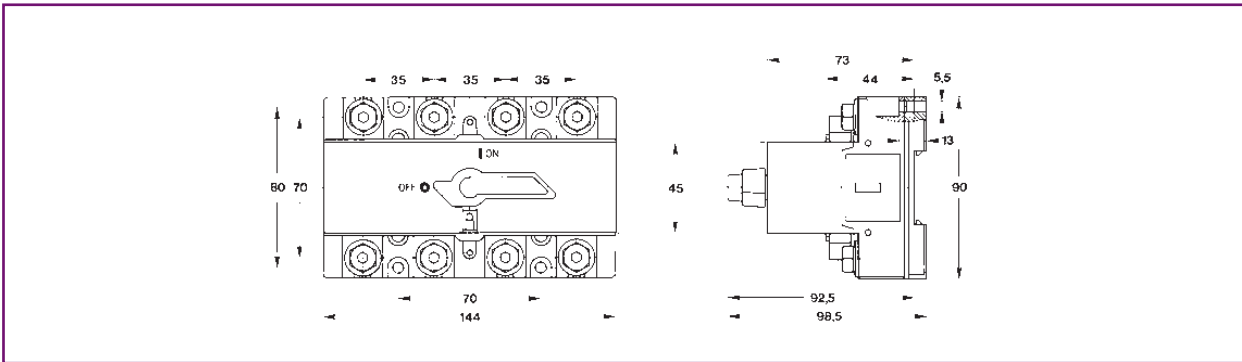
Dilos 1



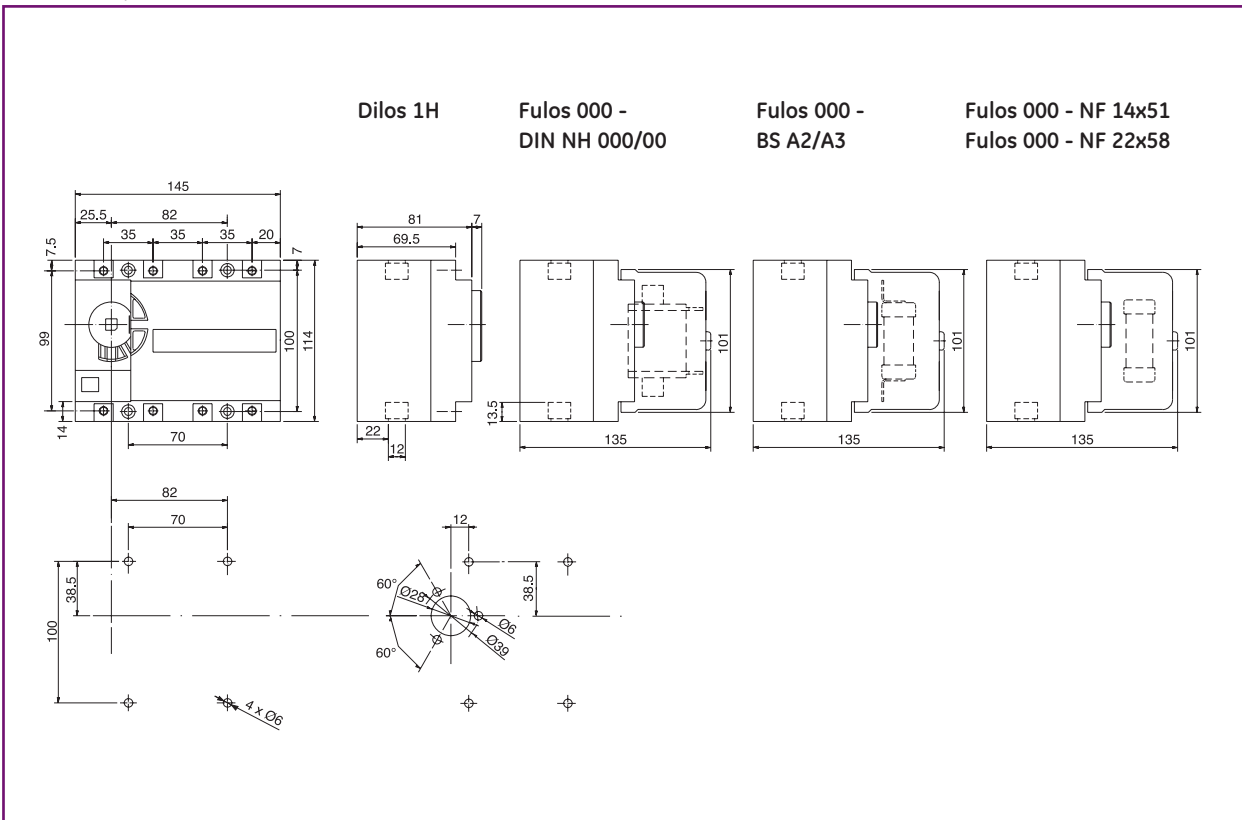
Elos



Dilos 2

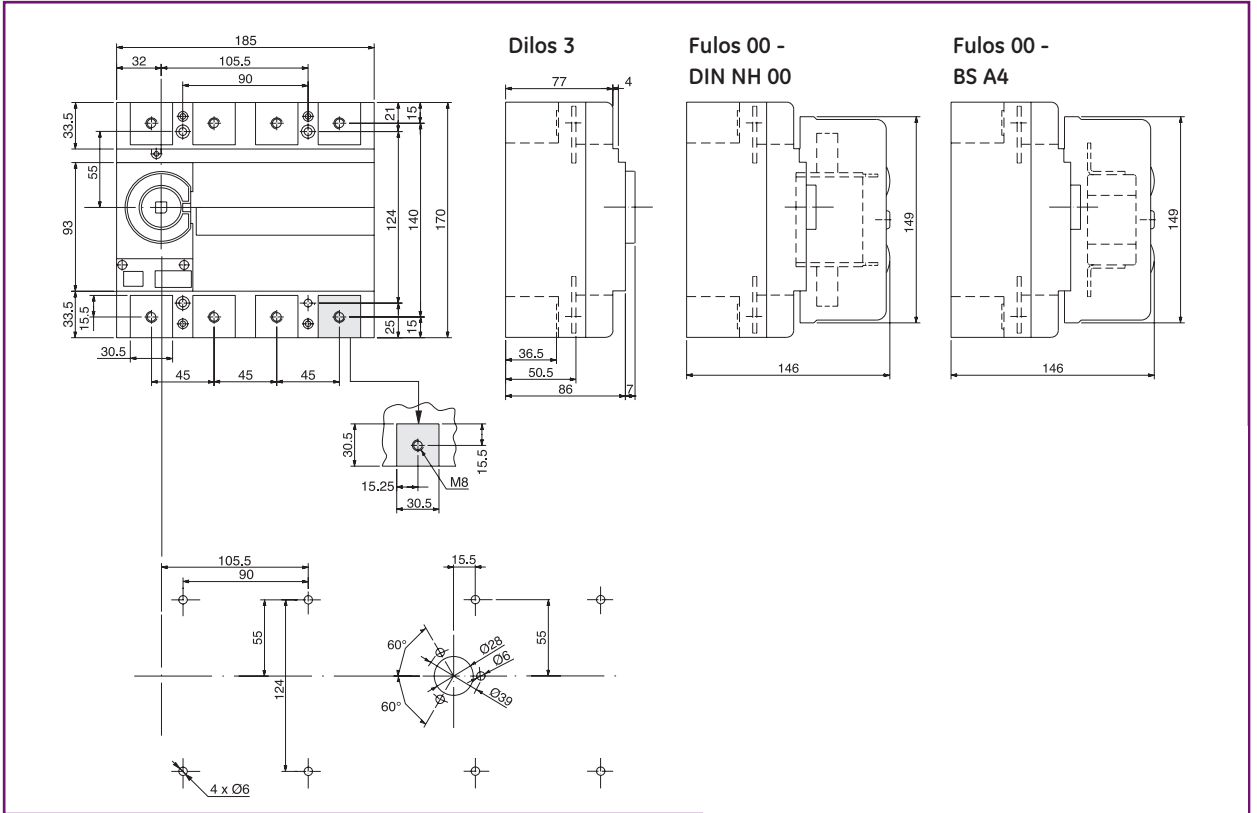


Dilos 1H / Fulos 000

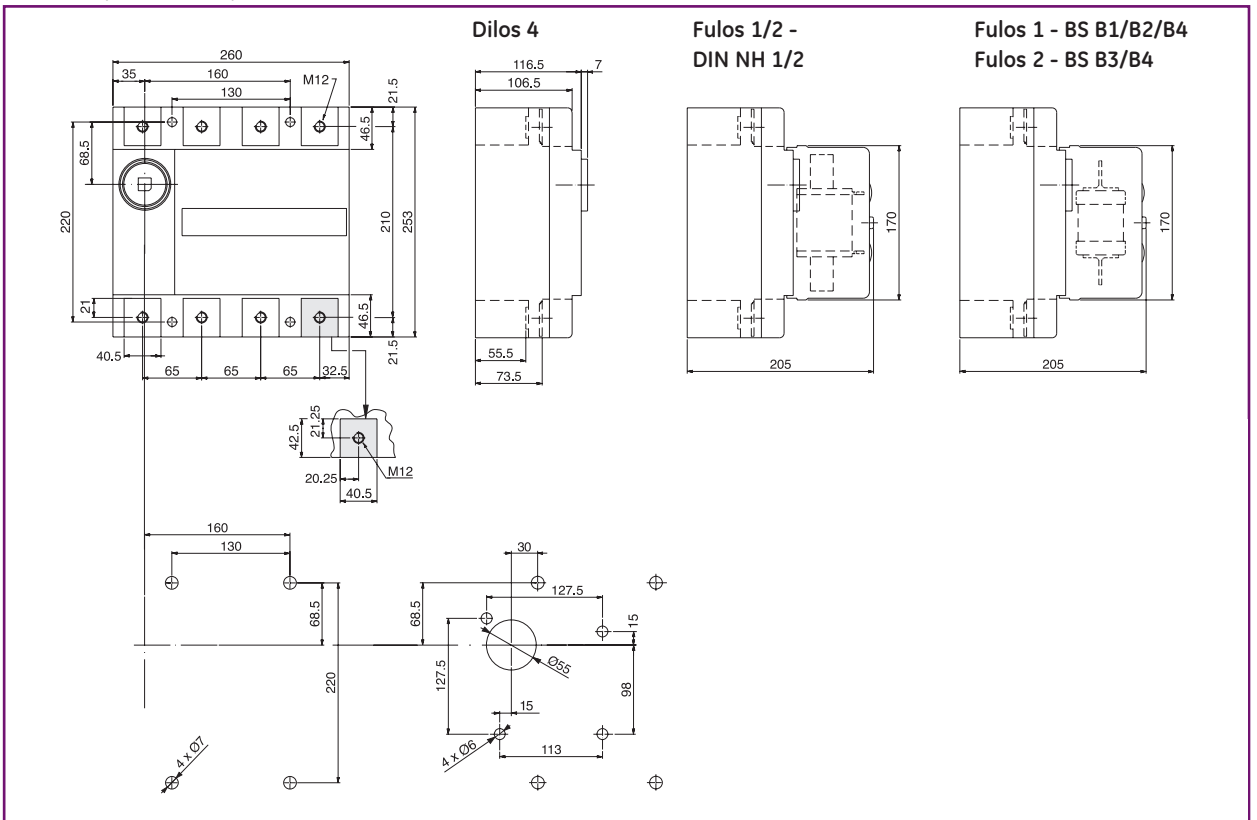


Dimensions

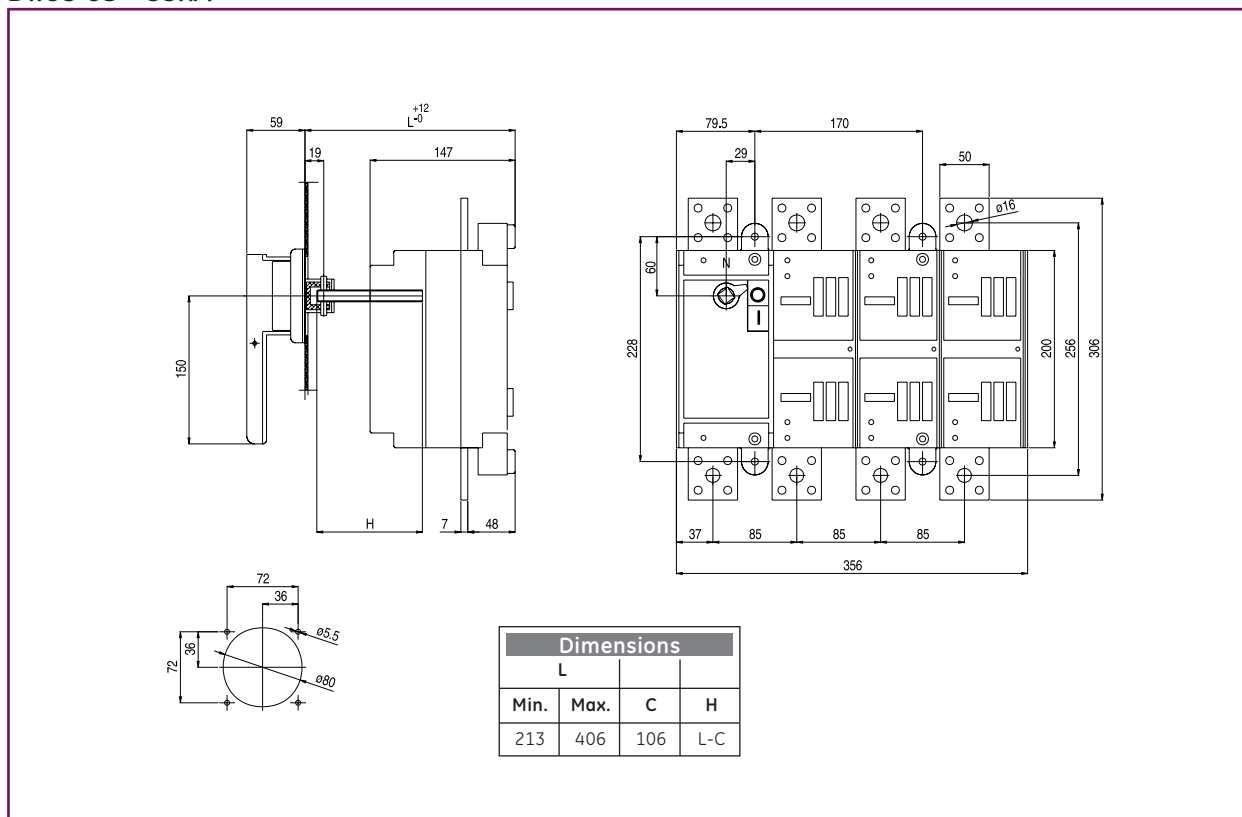
Dilos 3 / Fulos 00



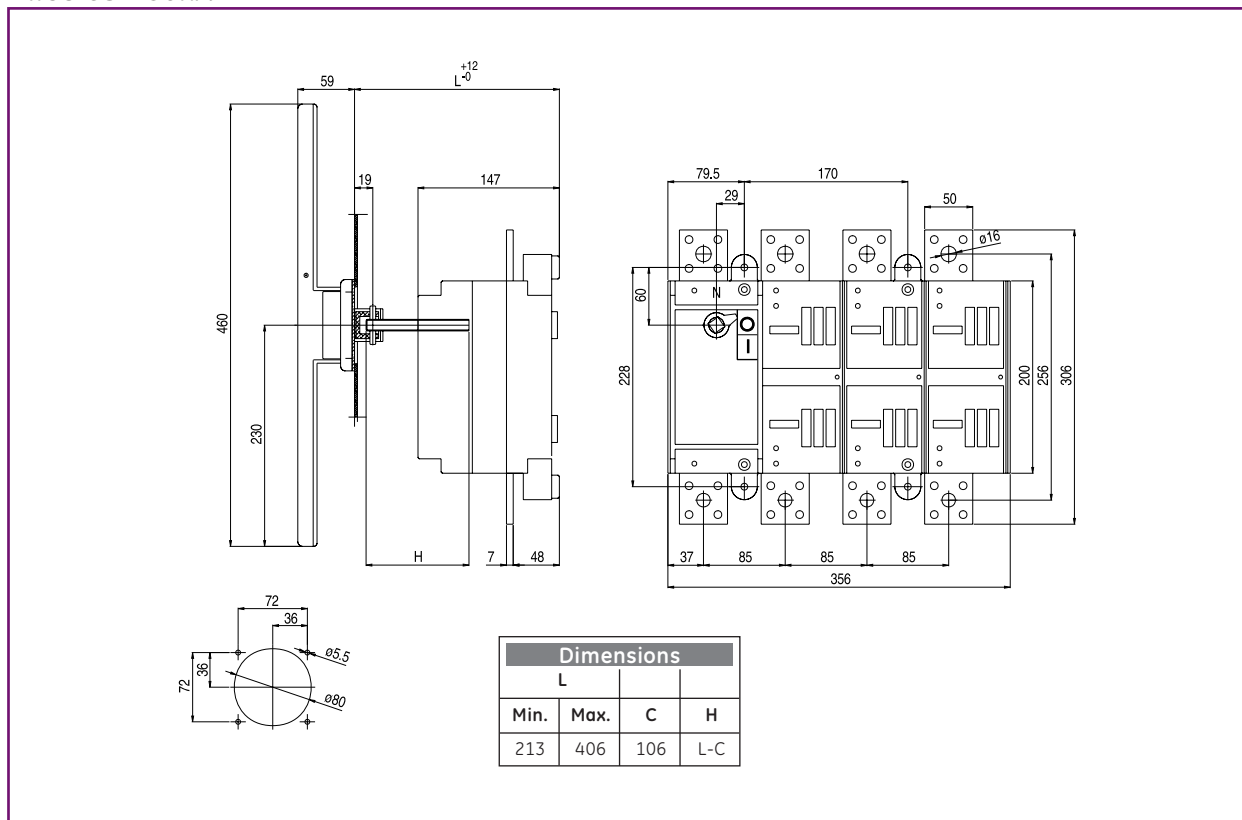
Dilos 4 / Fulos 1 / Fulos 2



Dilos 6S - 35kA



Dilos 6S - 50kA



Dilos

A

B

C

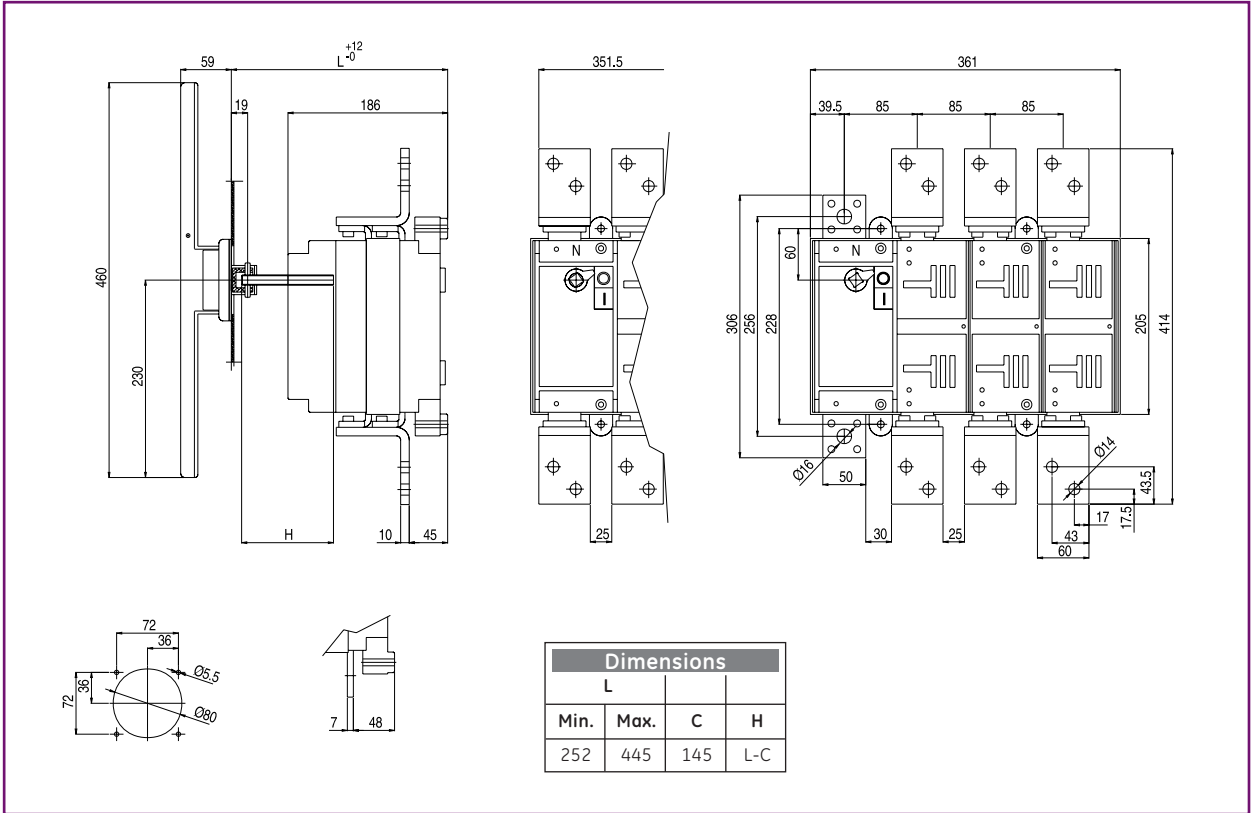
D

E

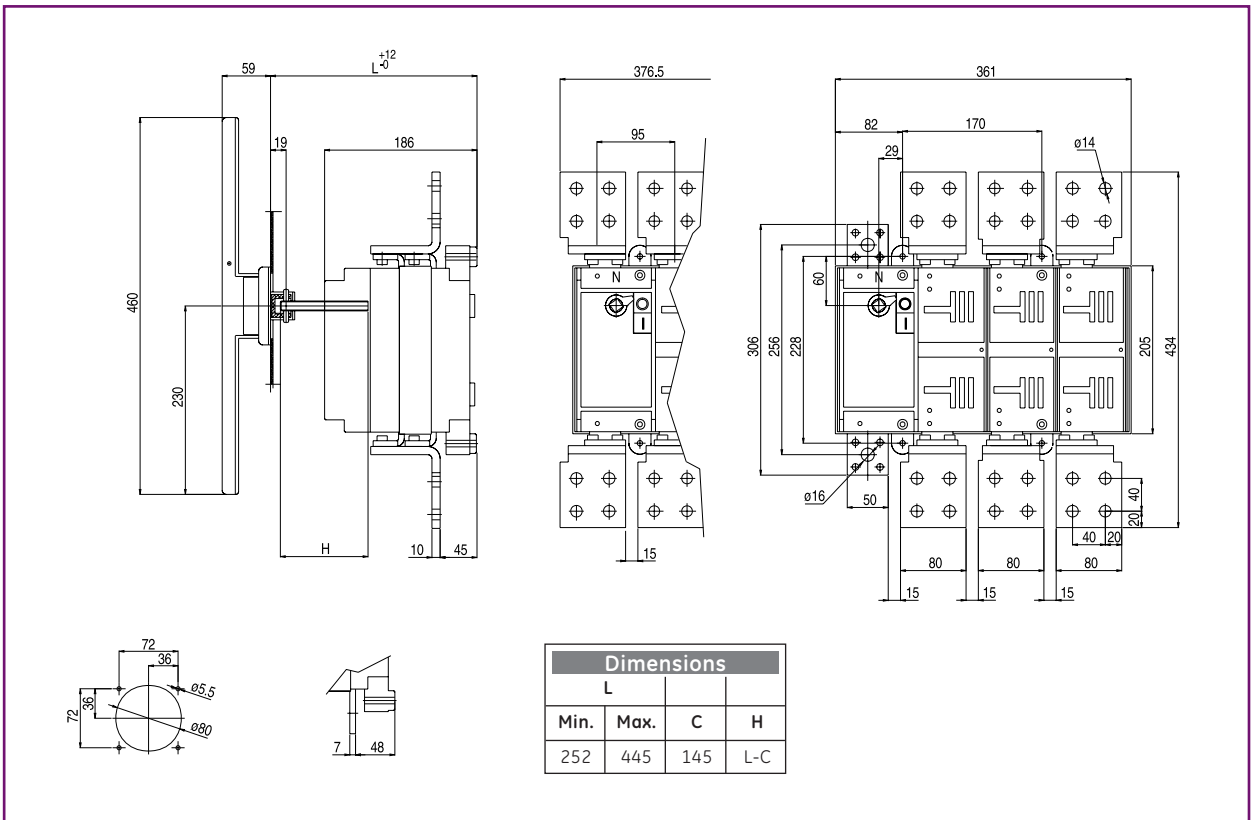
X

Dimensions

Dilos 7S



Dilos 8S - 2000A



Dimensions

A

B

C

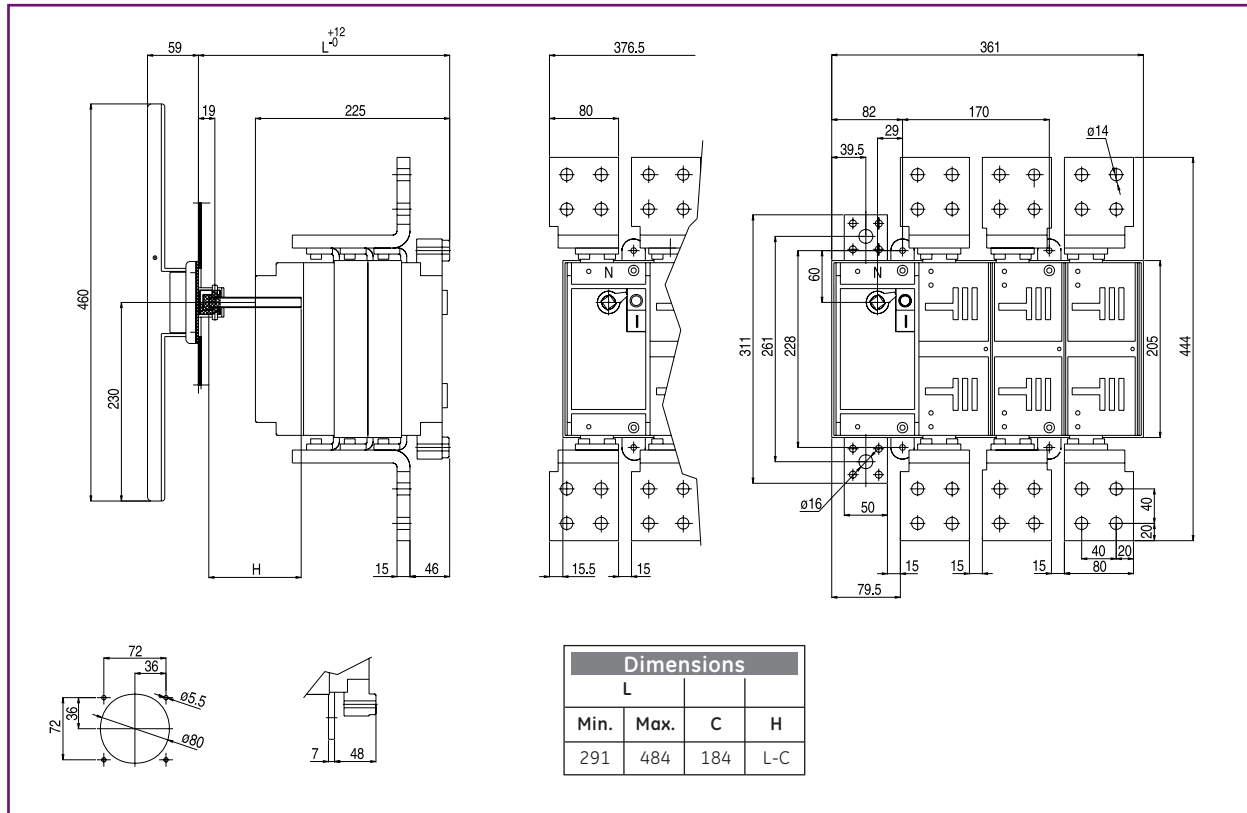
D

E

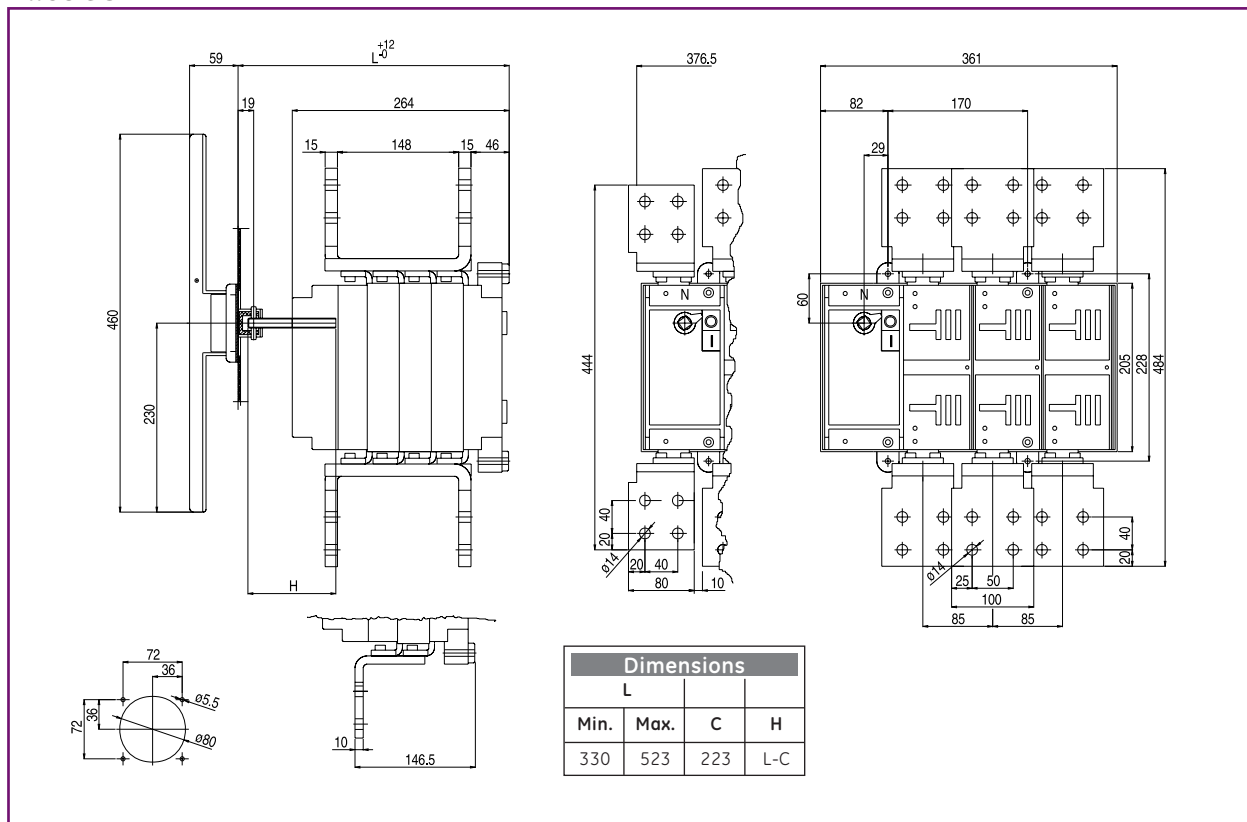
X



Dilos 8S - 2500A



Dilos 9S



Dilos

A

B

C

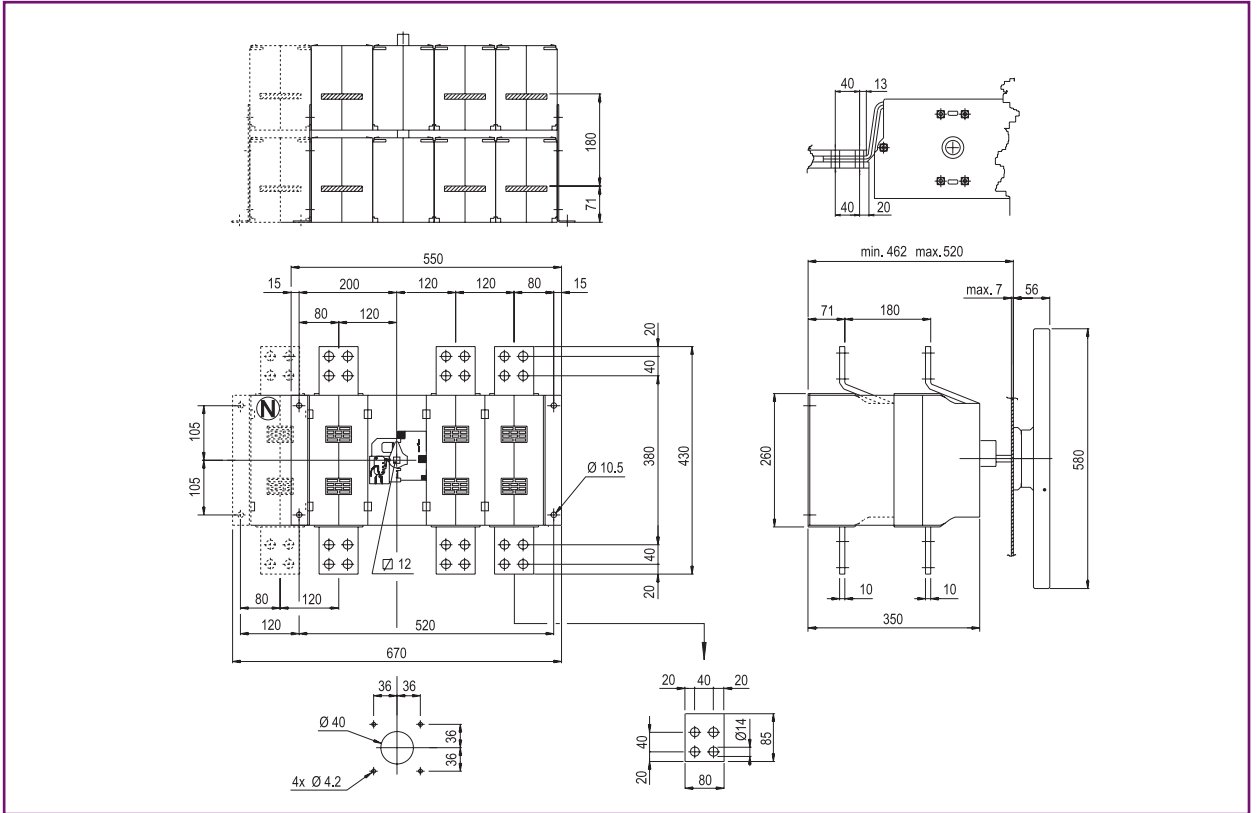
D

E

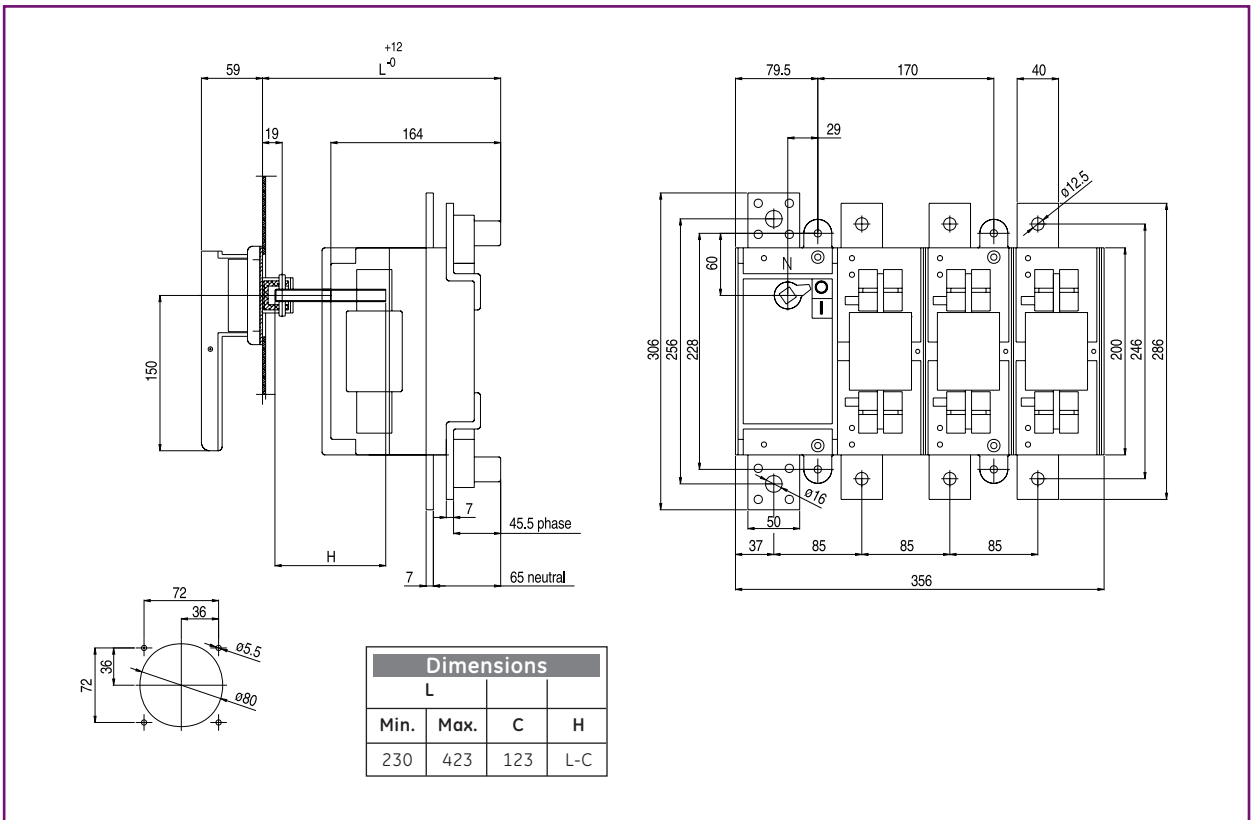
X

Dimensions

Dilos 9



Fulos 3S - DIN NH 3



Dimensions

A

B

C

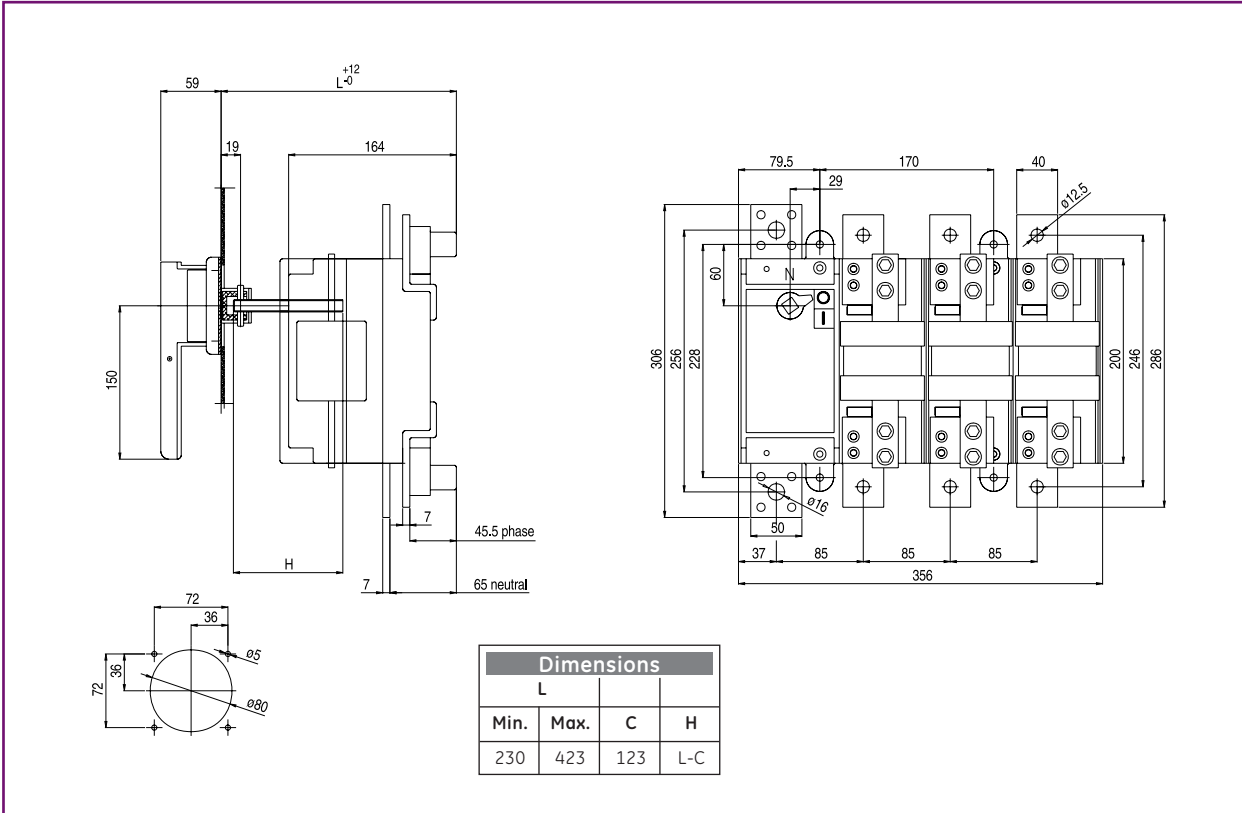
D

E

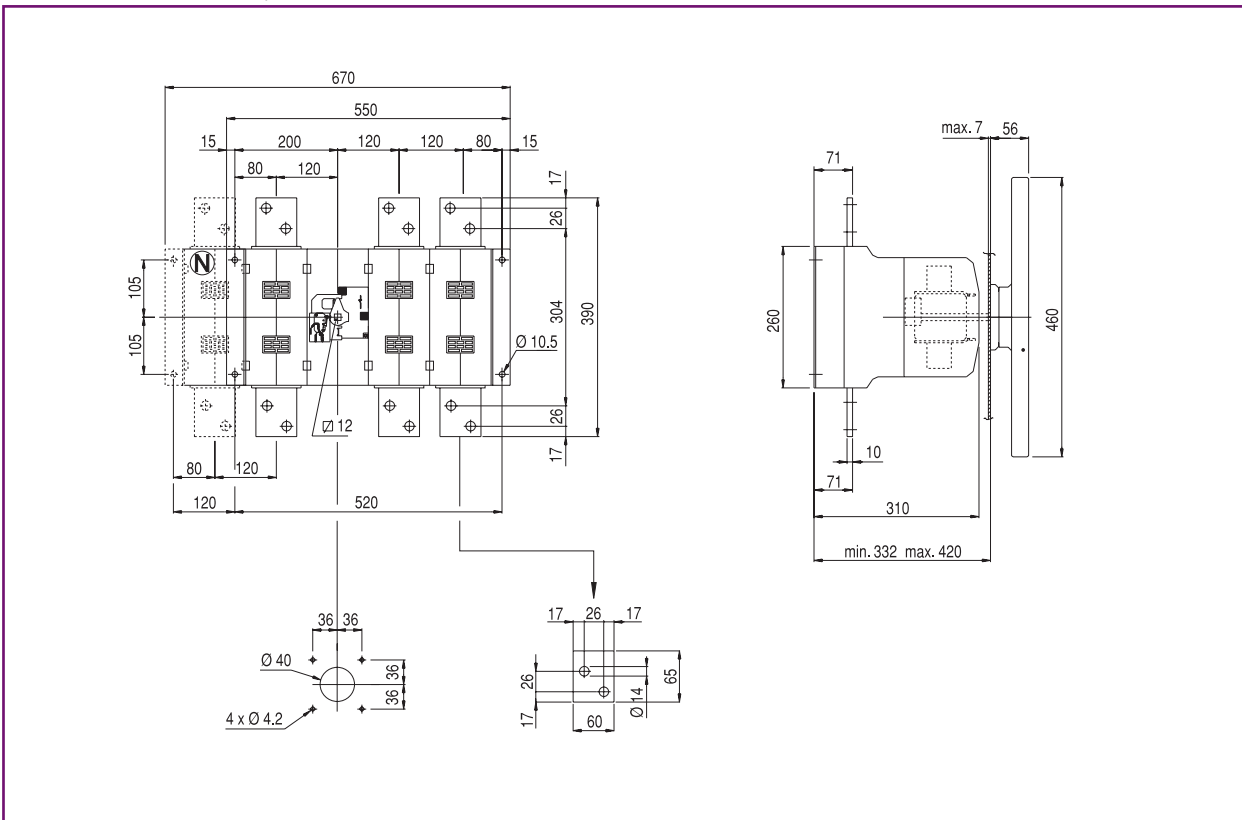
X



Fulos 3S - BS



Fulos 4 - DIN NH 4 / Fulos 4 - BS D1



Fulos

A

B

C

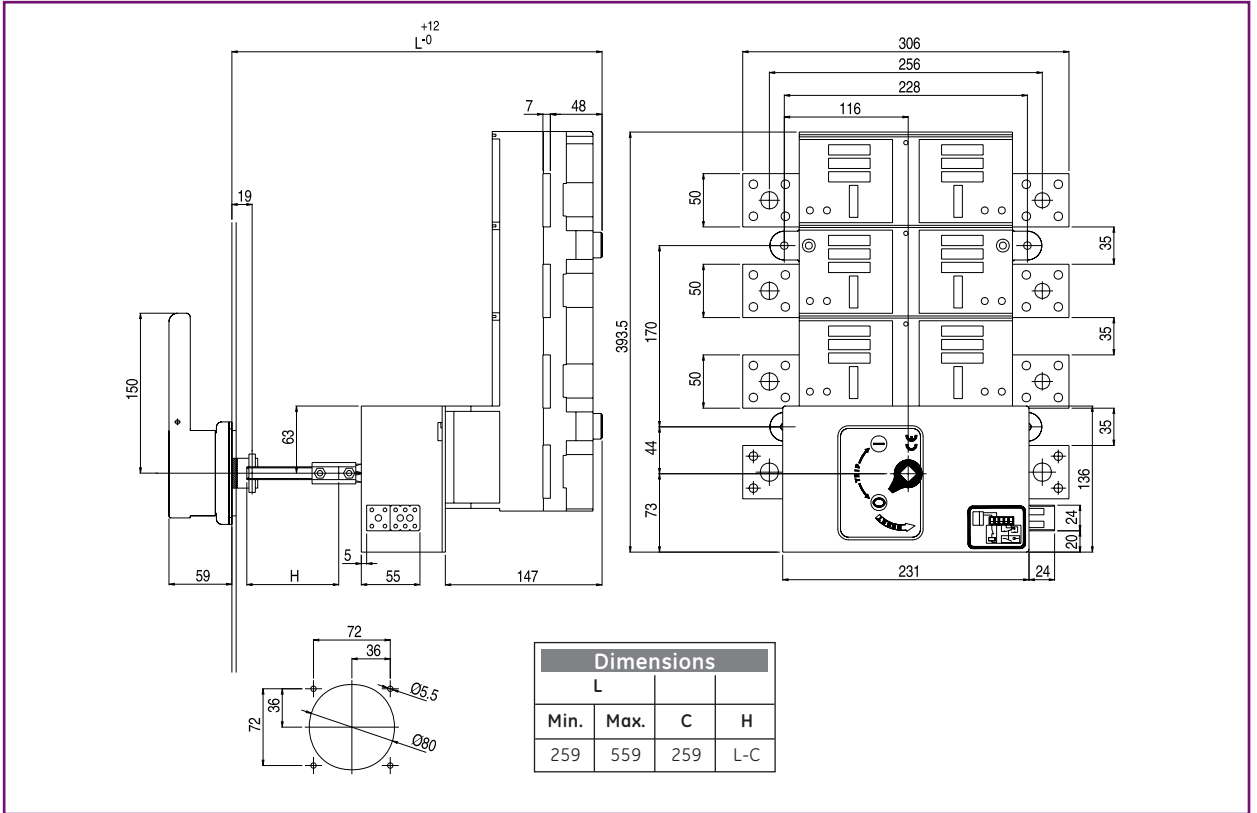
D

E

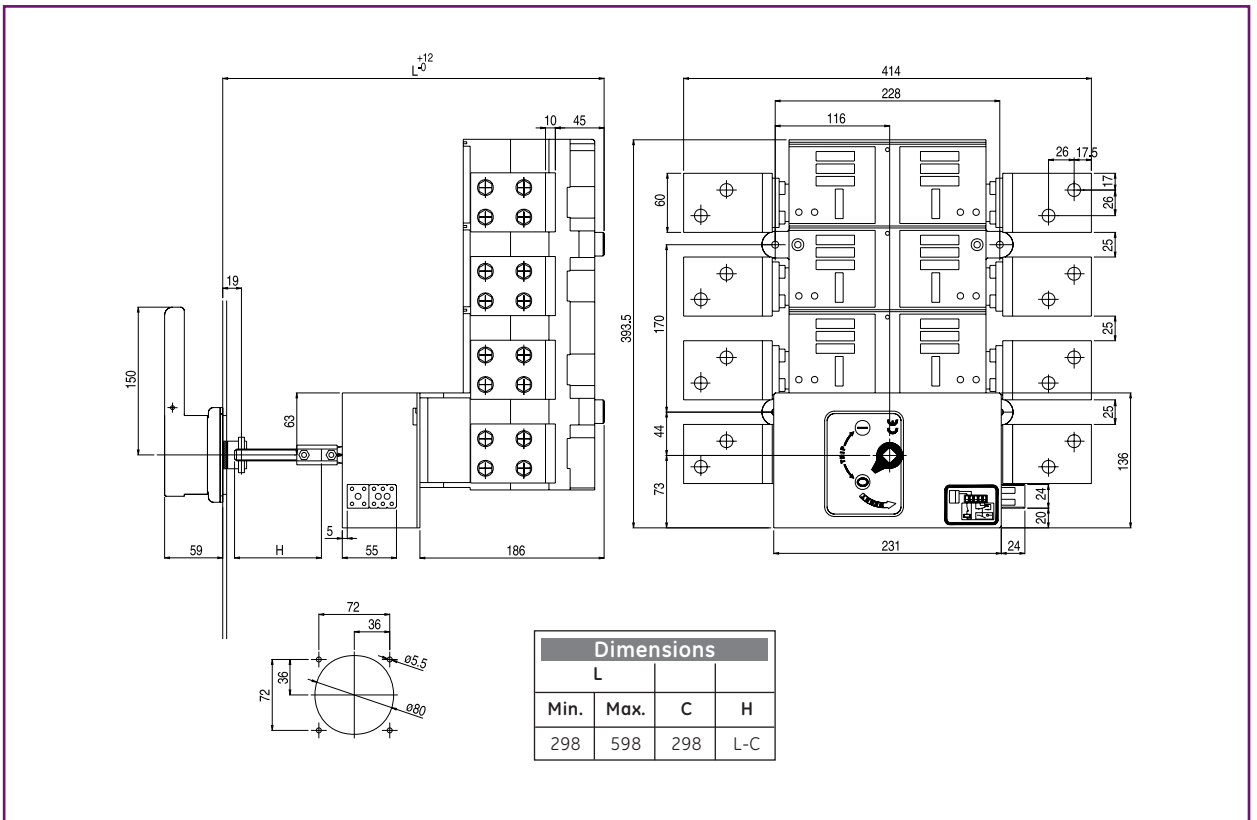
X

Dimensions

Dilos 6S BA



Dilos 7S BA



Dimensions

A

B

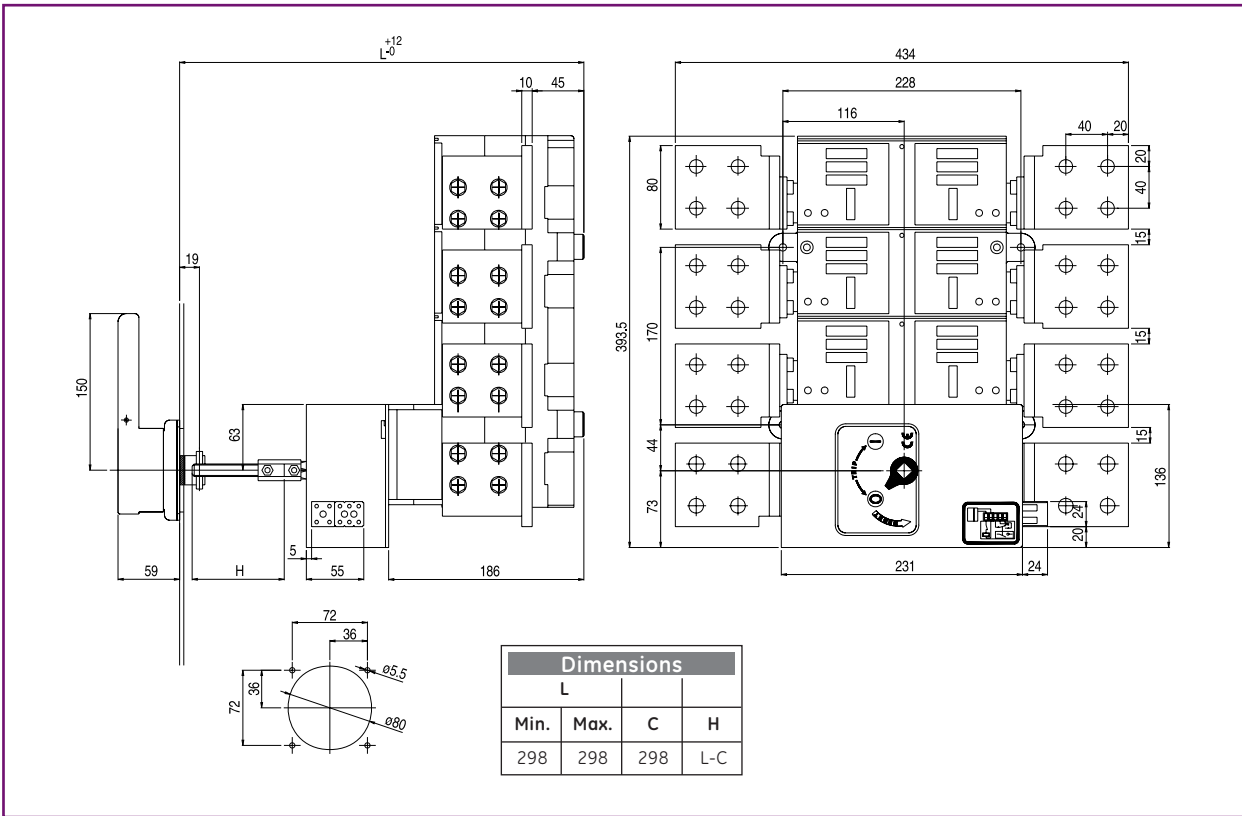
C

D

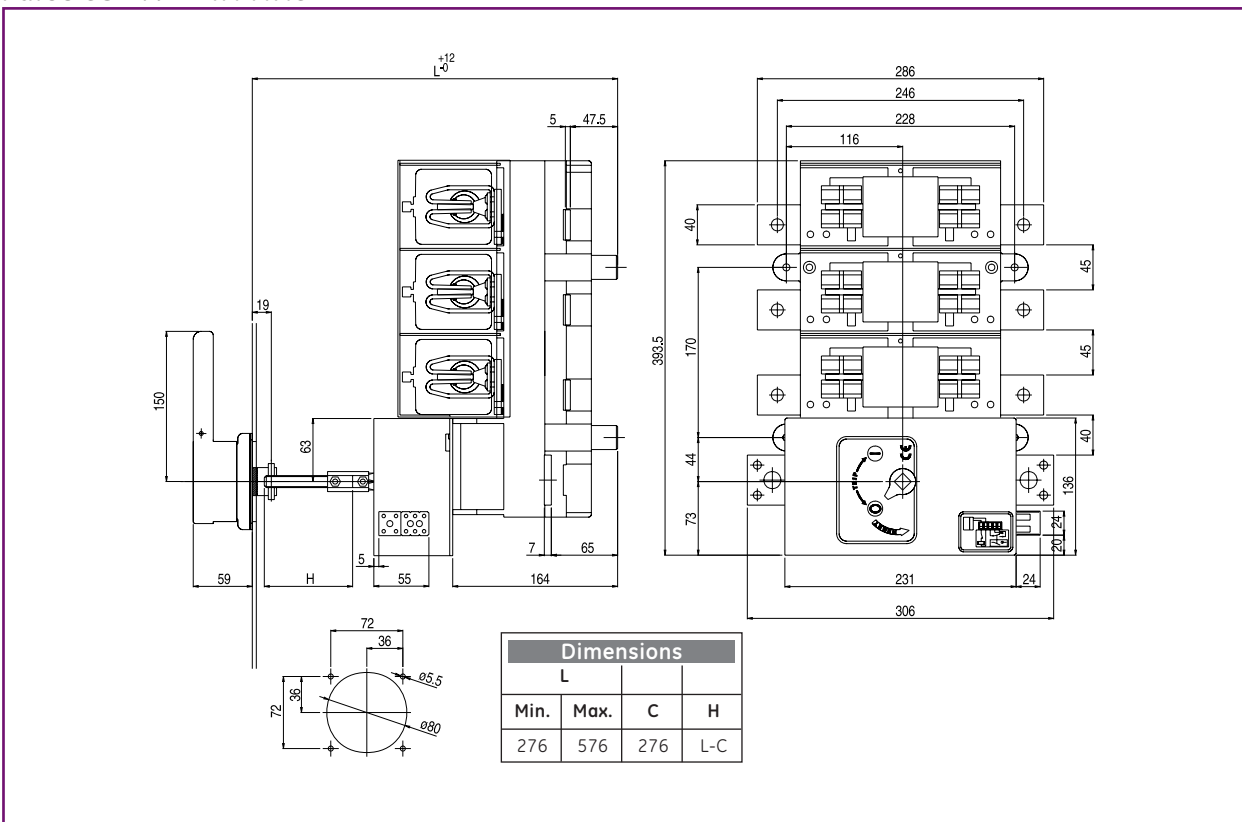
E

X

Dilos 8S BA

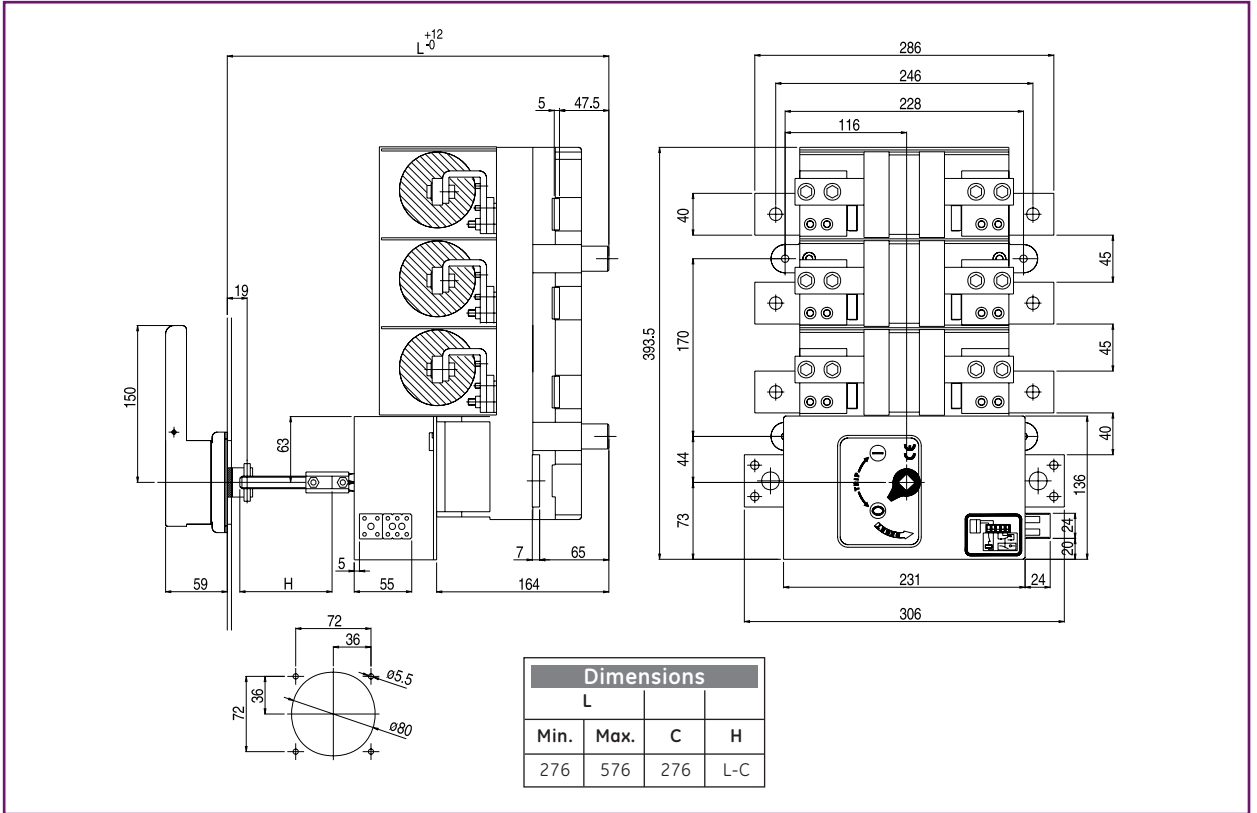


Fulos 3S BA - DIN NH3

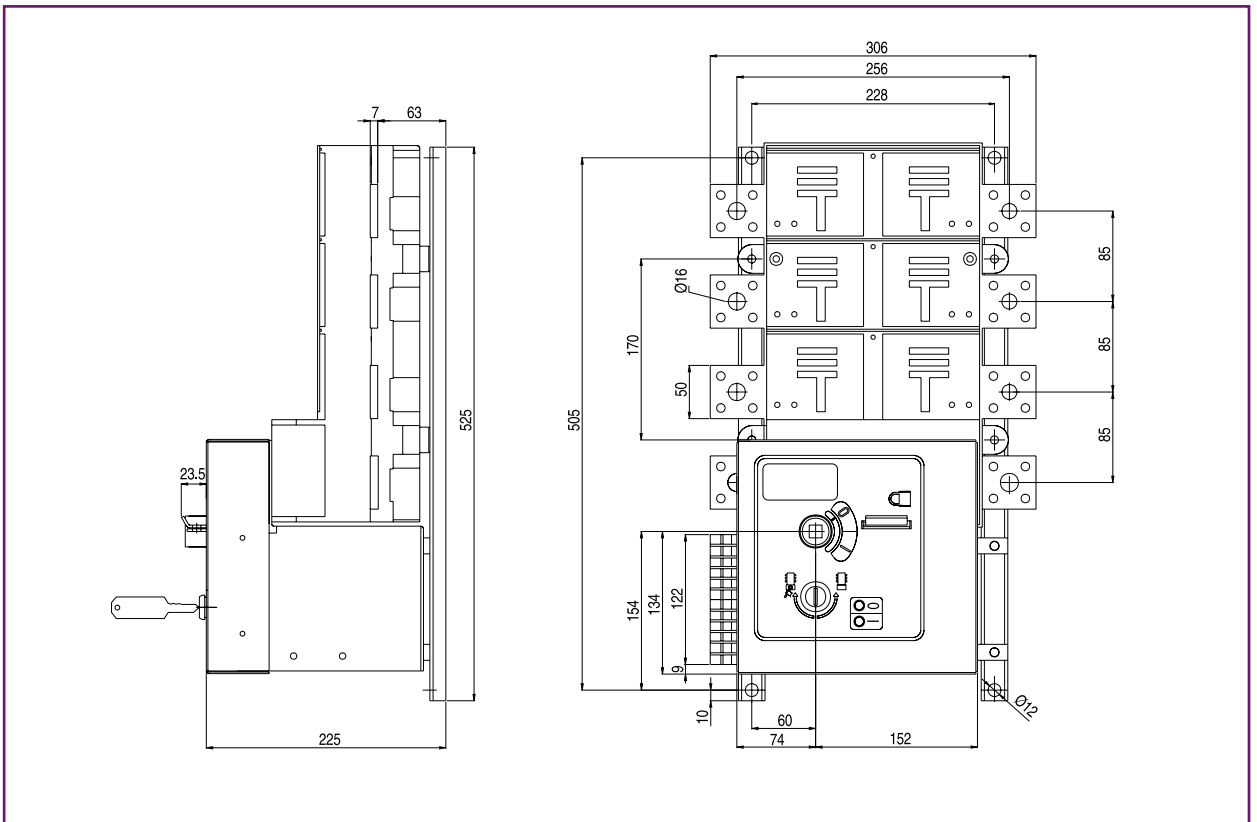


Dimensions

Fulos 3S BA - BS C1/C2/C3



Dilos 6S MO



Dimensions

A

B

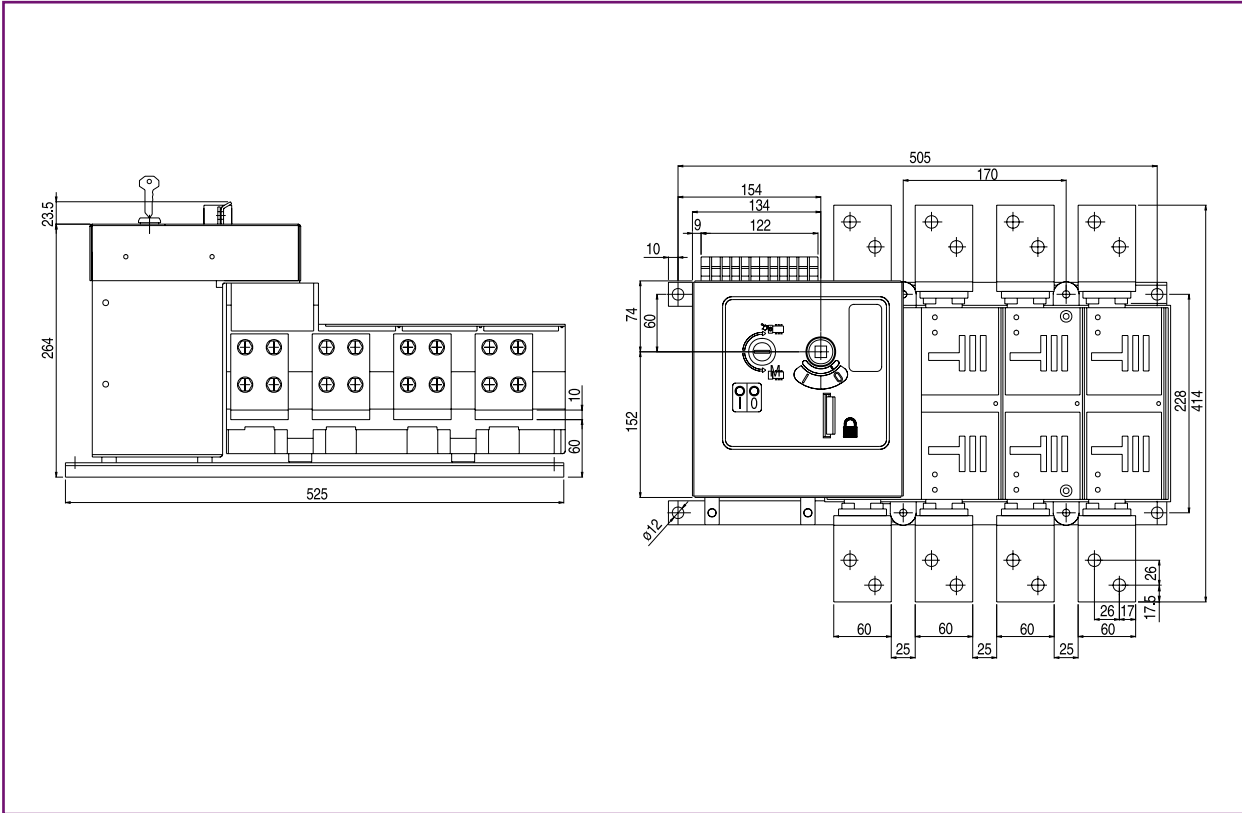
C

D

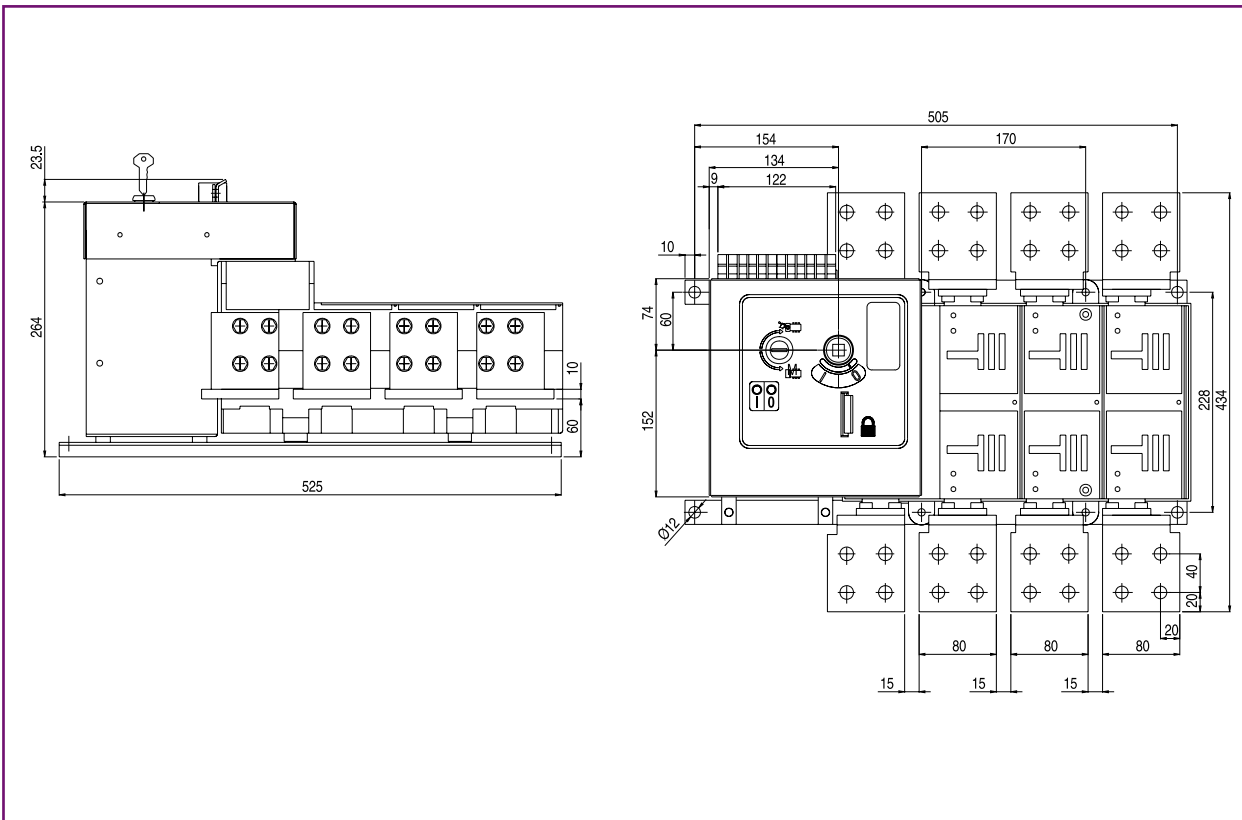
E

X

Dilos 7S MO



Dilos 8S MO - 2000A



Dilos

A

B

C

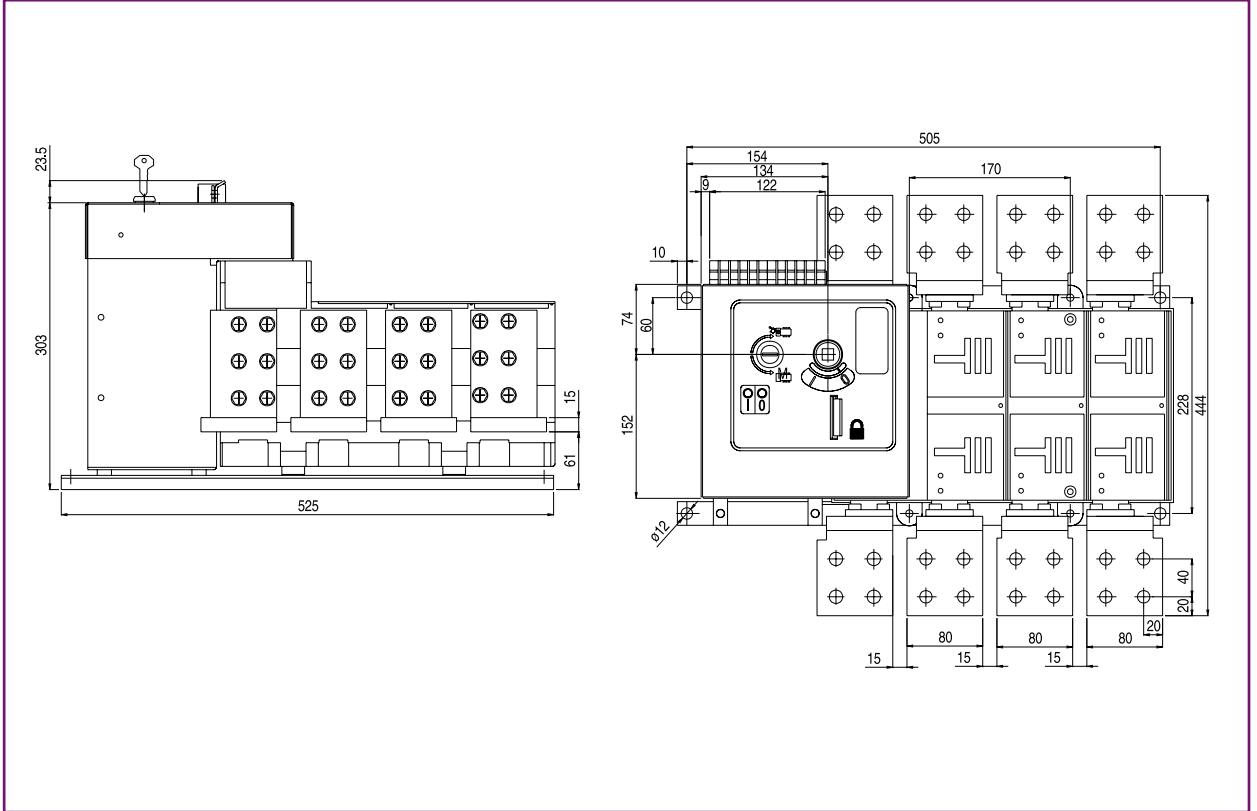
D

E

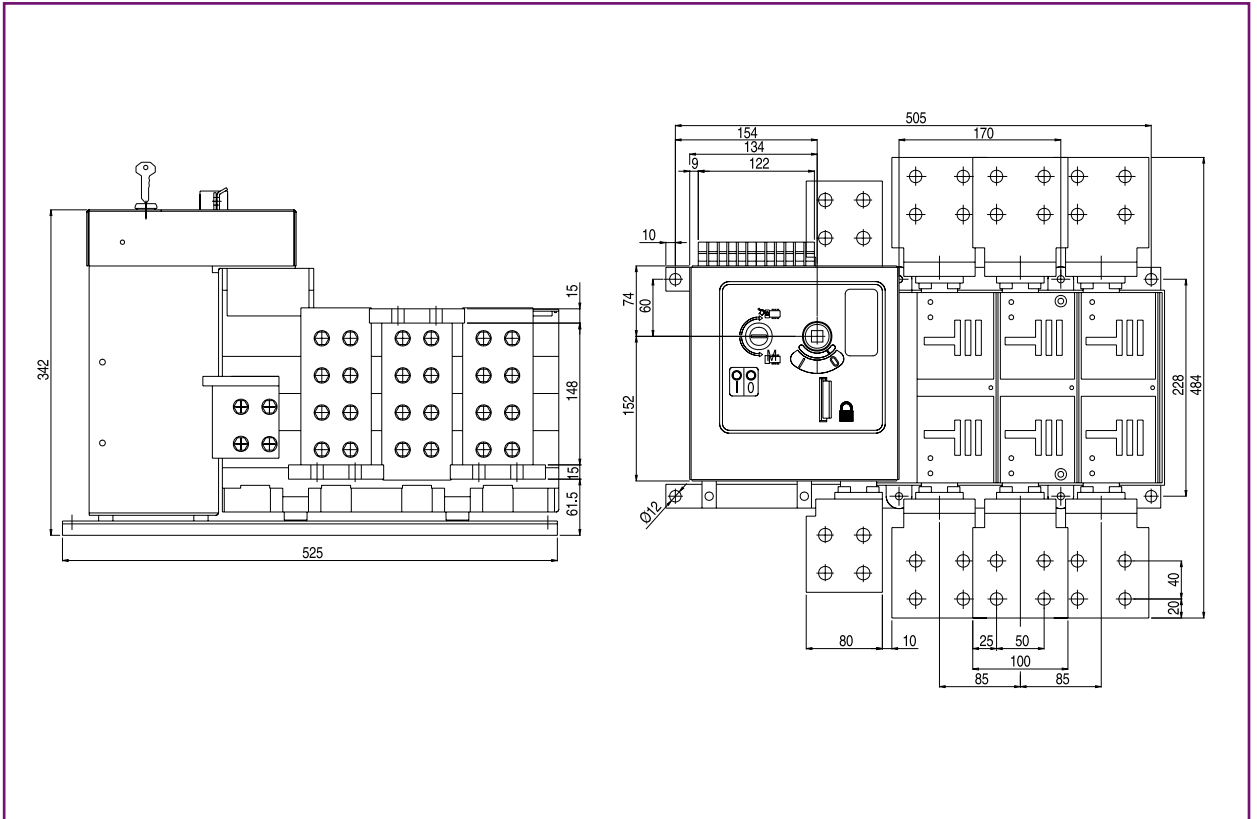
X

Dimensions

Dilos 8S MO - 2500A



Dilos 9S MO



Dimensions

A

B

C

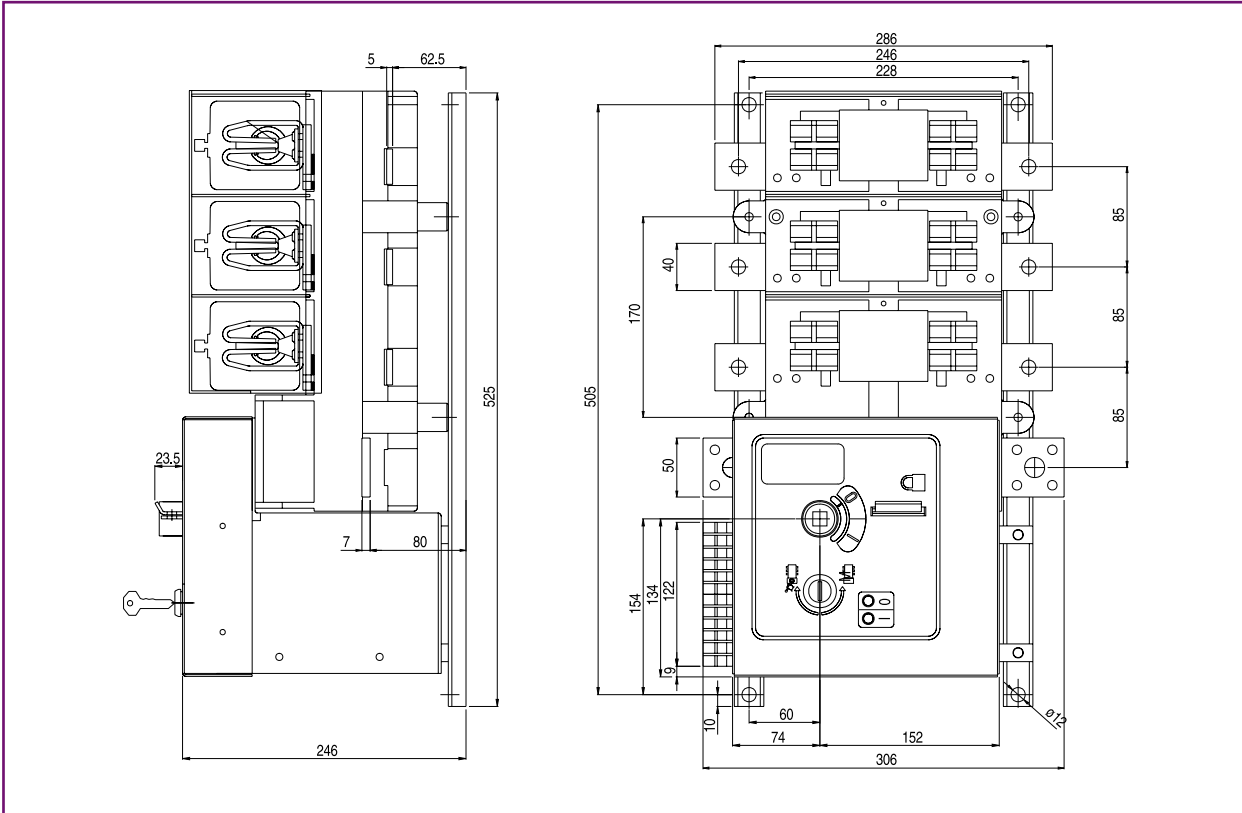
D

E

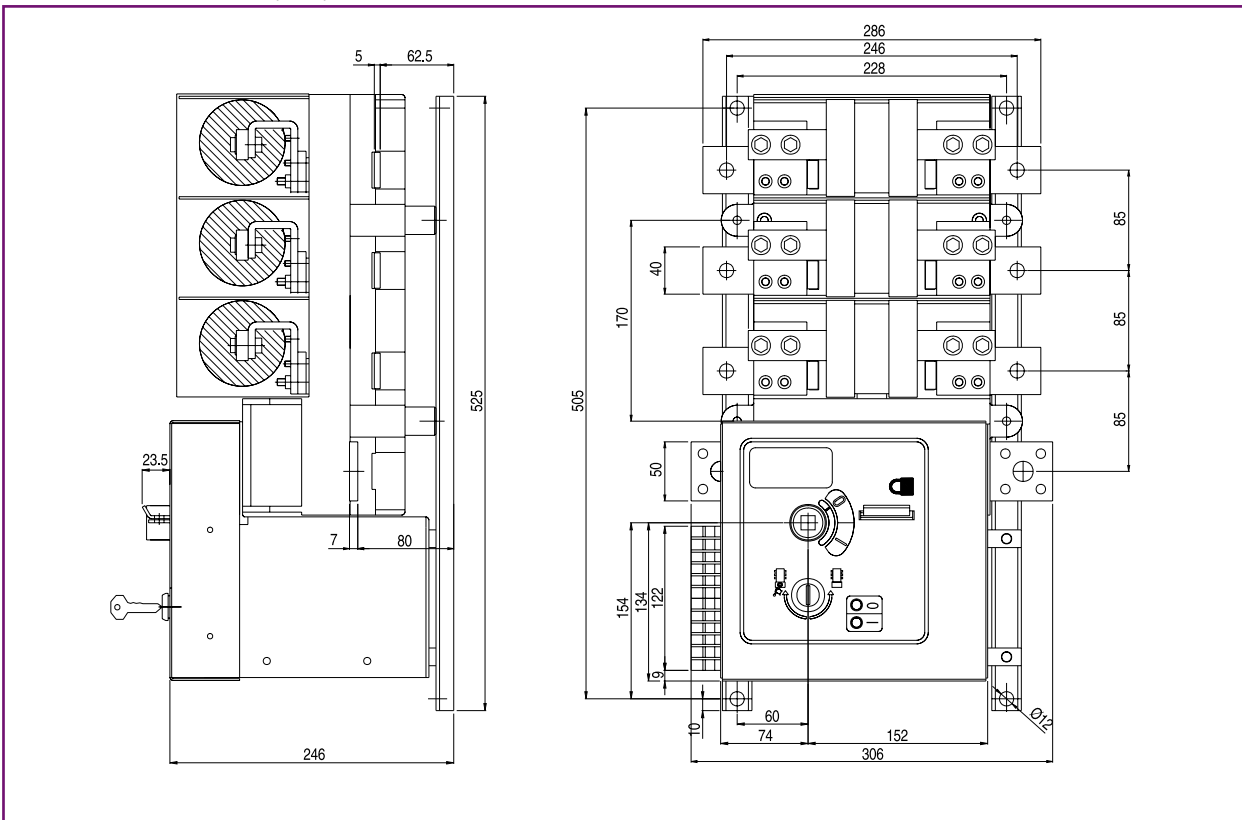
X



Fulos 3S MO - DIN NH3

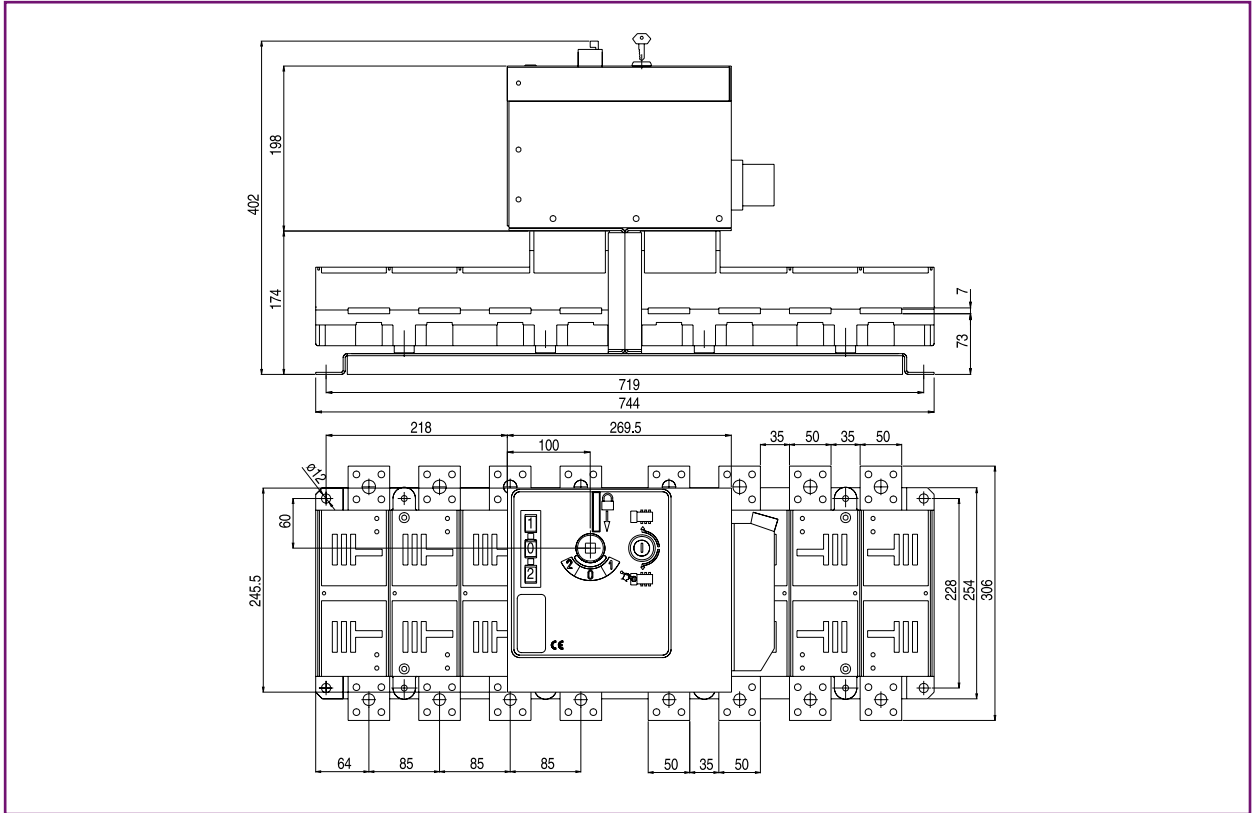


Fulos 3S MO - BS C1/C2/C3

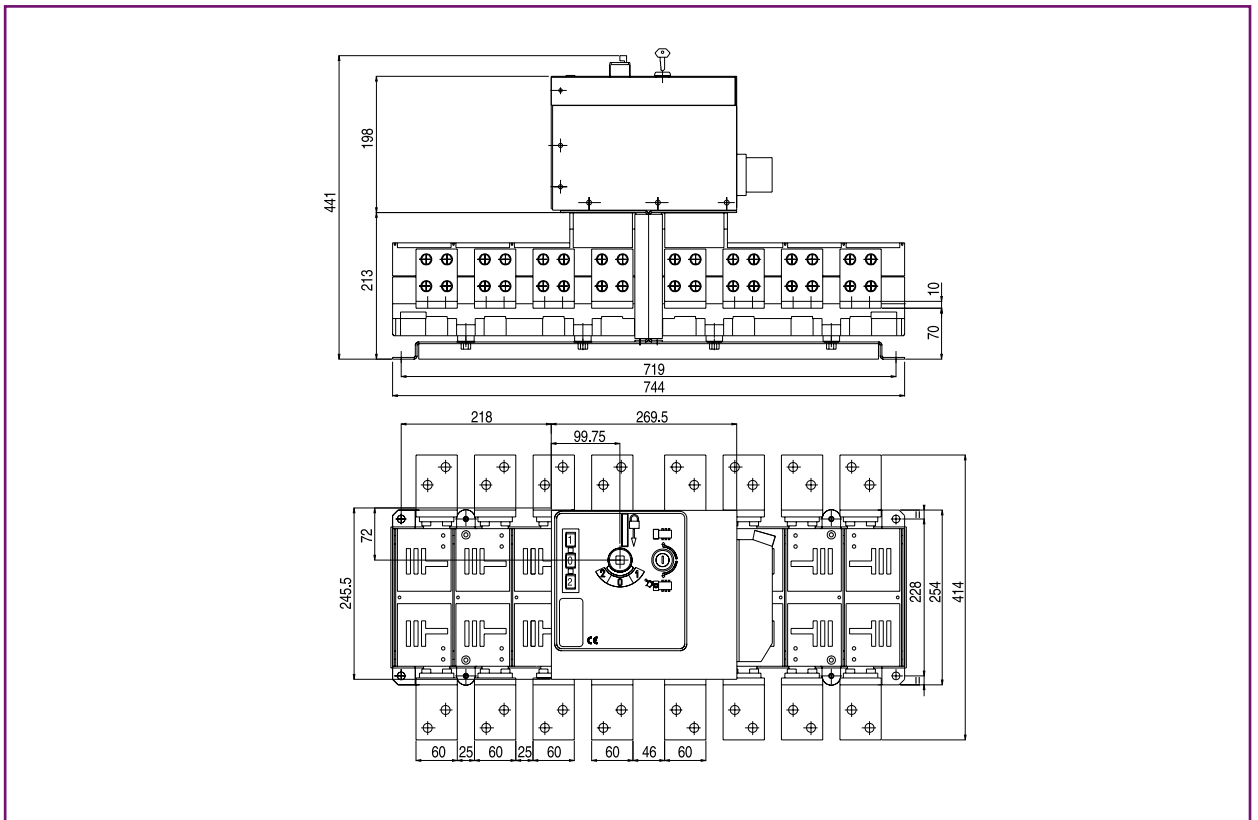


Dimensions

CO-Dilos 6S MO



CO-Dilos 7S MO



Dimensions

A

B

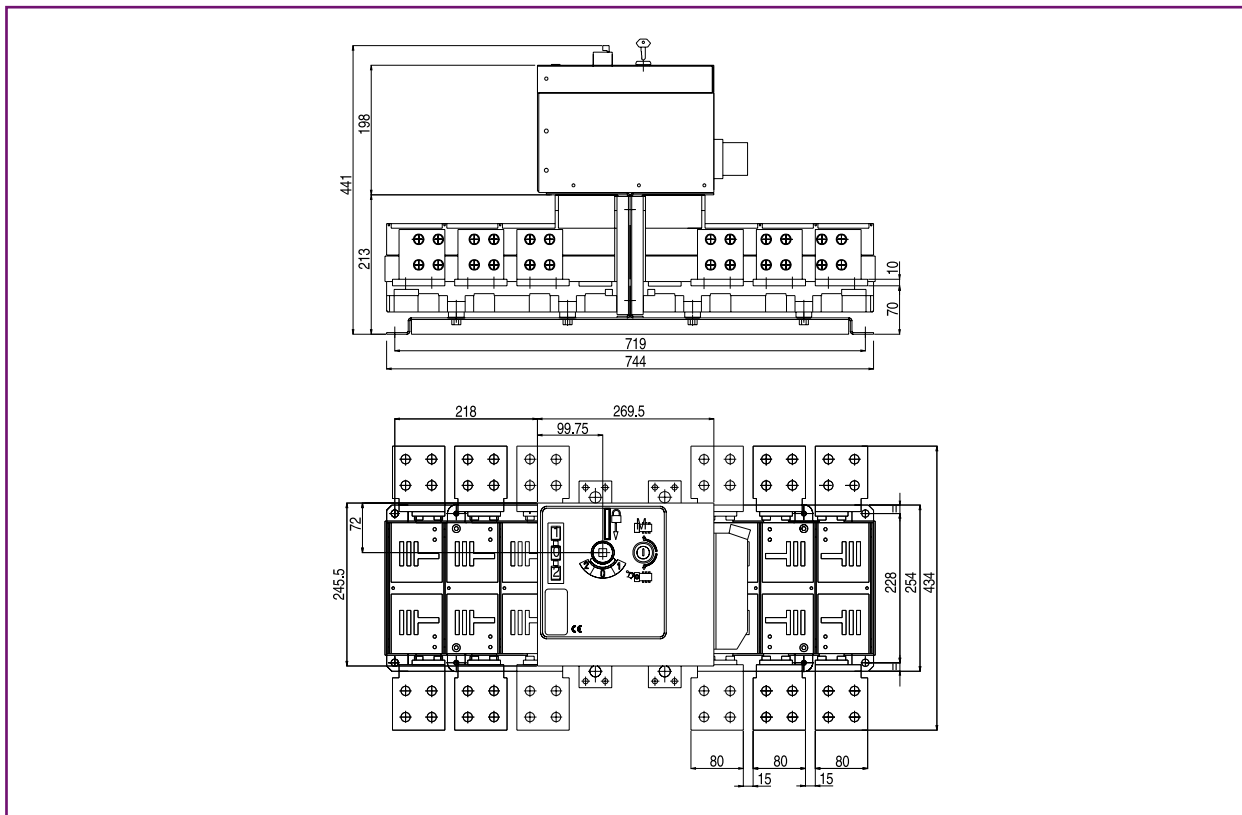
C

D

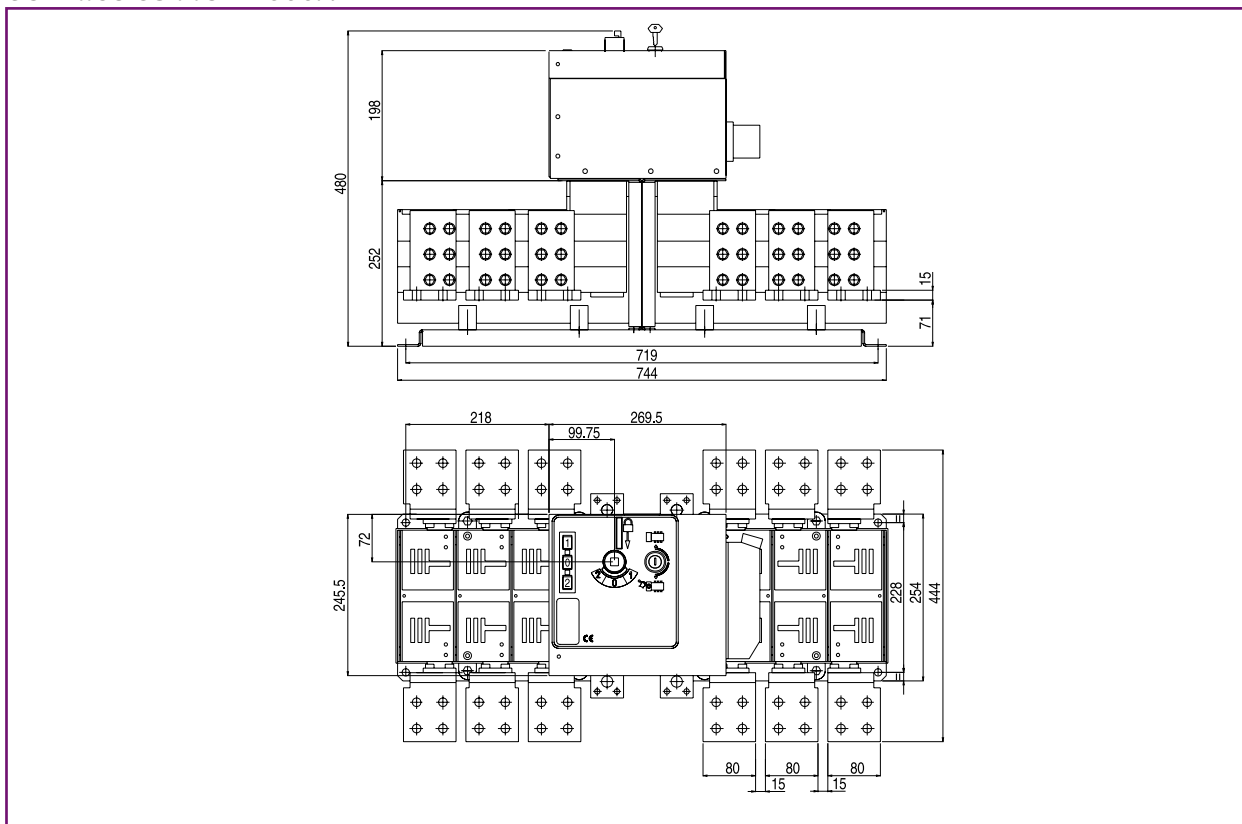
E

X

CO-Dilos 8S MO - 2000A



CO-Dilos 8S MO - 2500A

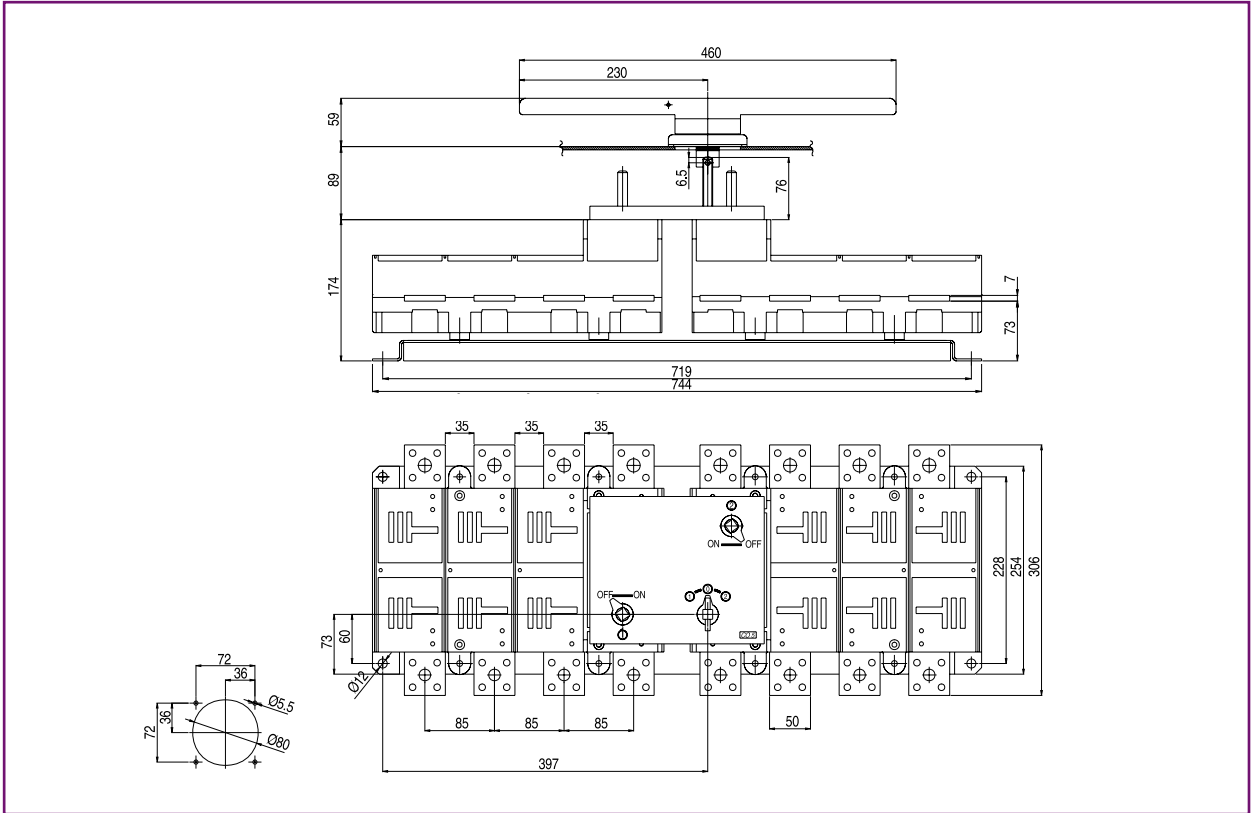


Dilos

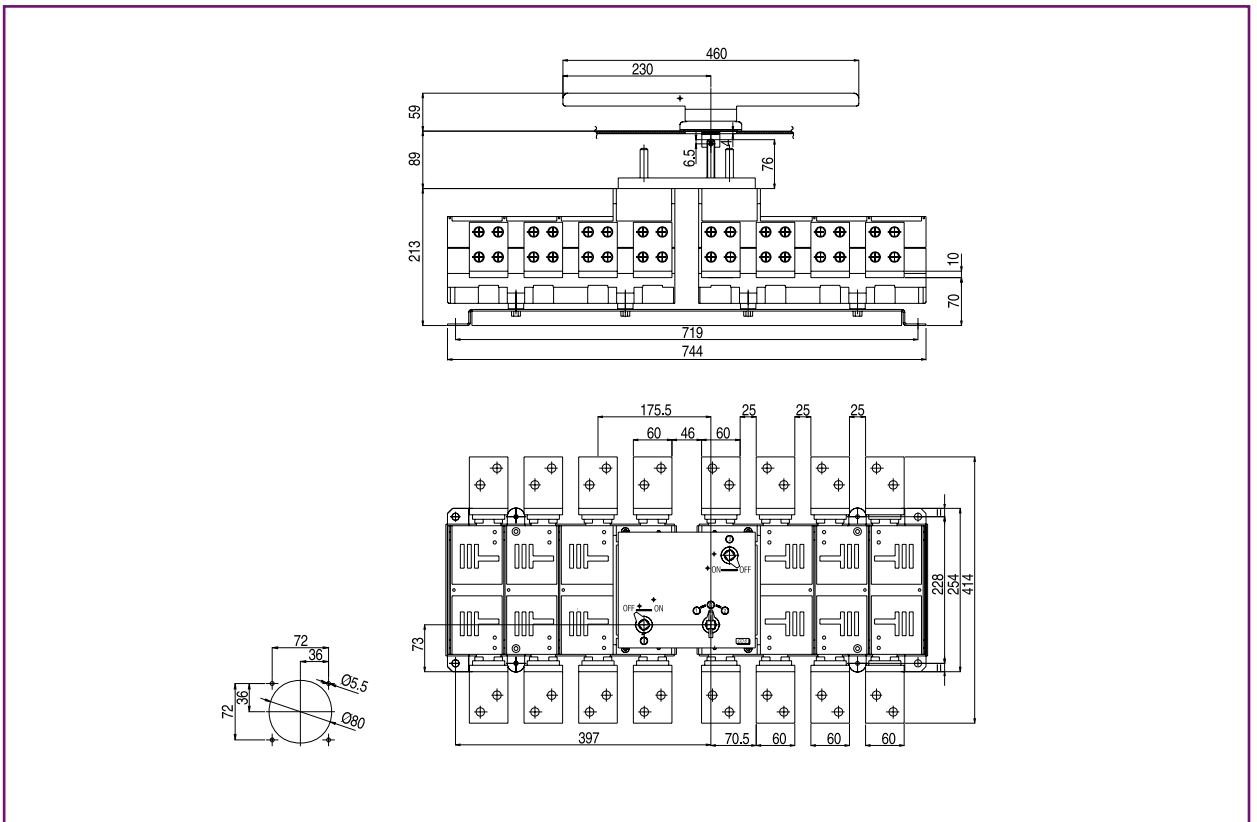
A
B
C
D
E
X

Dimensions

CO-Dilos 6S



CO-Dilos 7S



Dimensions

A

B

C

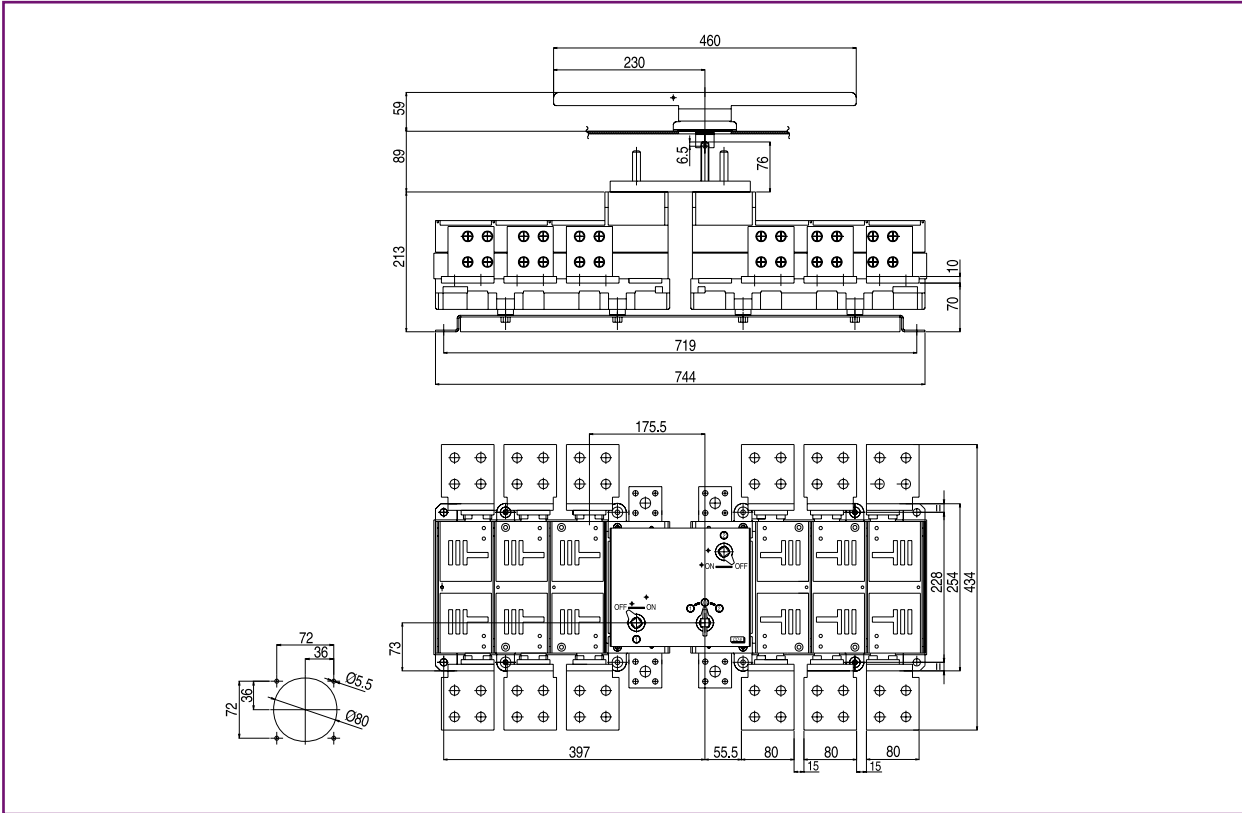
D

E

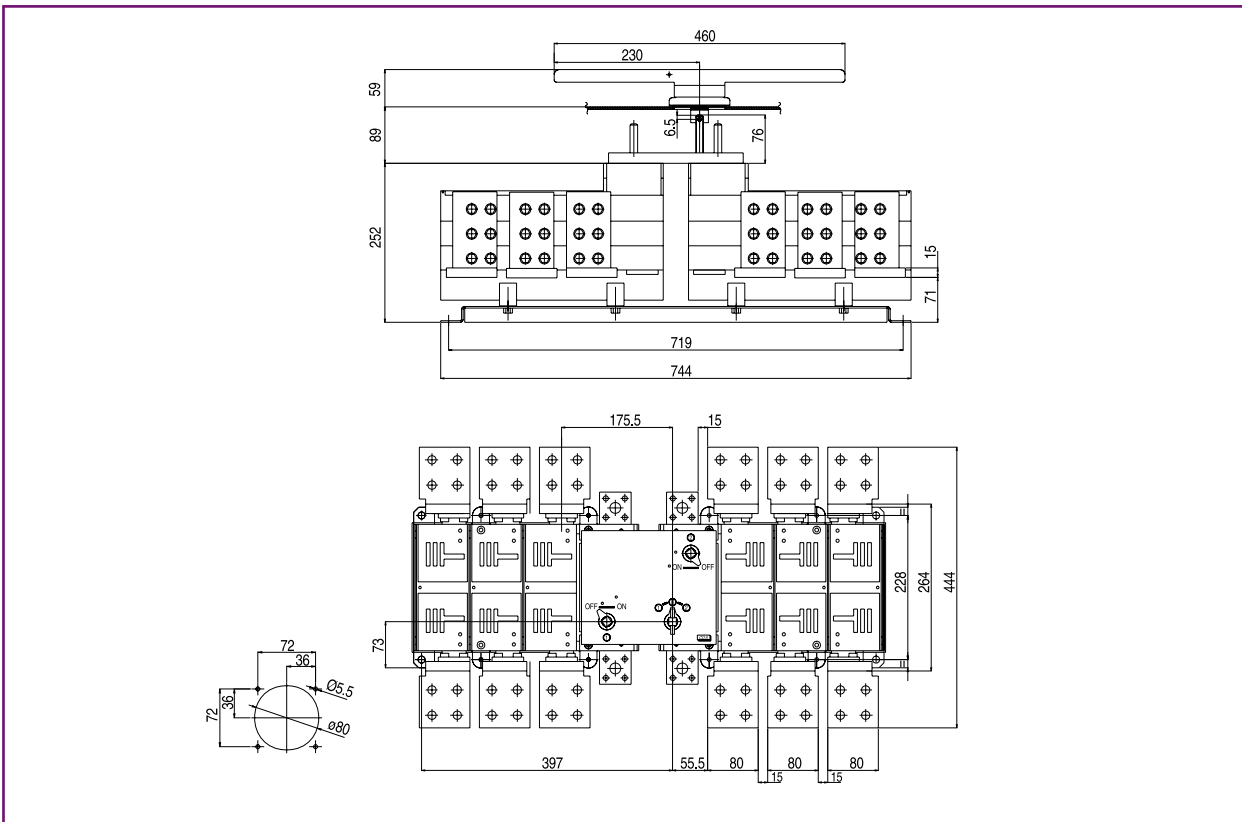
X



CO-Dilos 8S - 2000A



CO-Dilos 8S - 2500A



Dilos

A

B

C

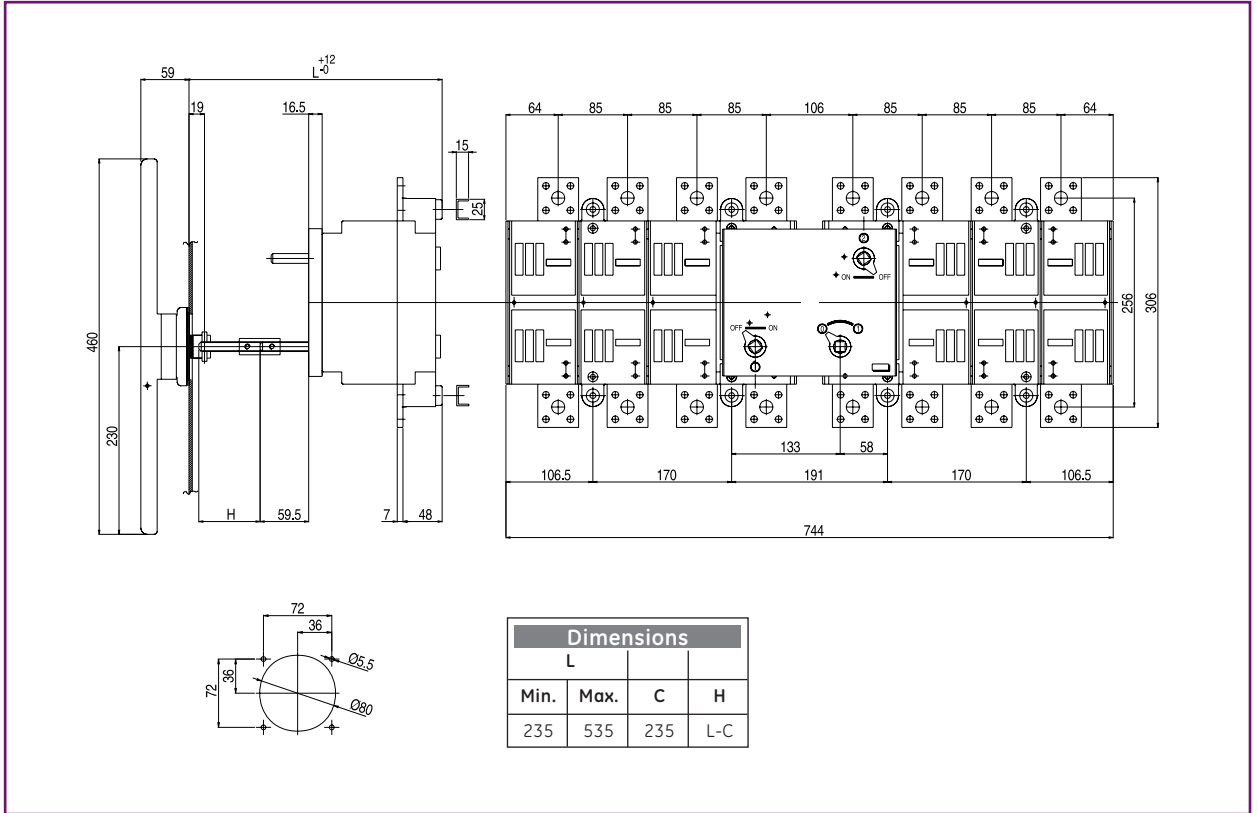
D

E

X

Dimensions

6P Dilos 6S



Dimensions

A

B

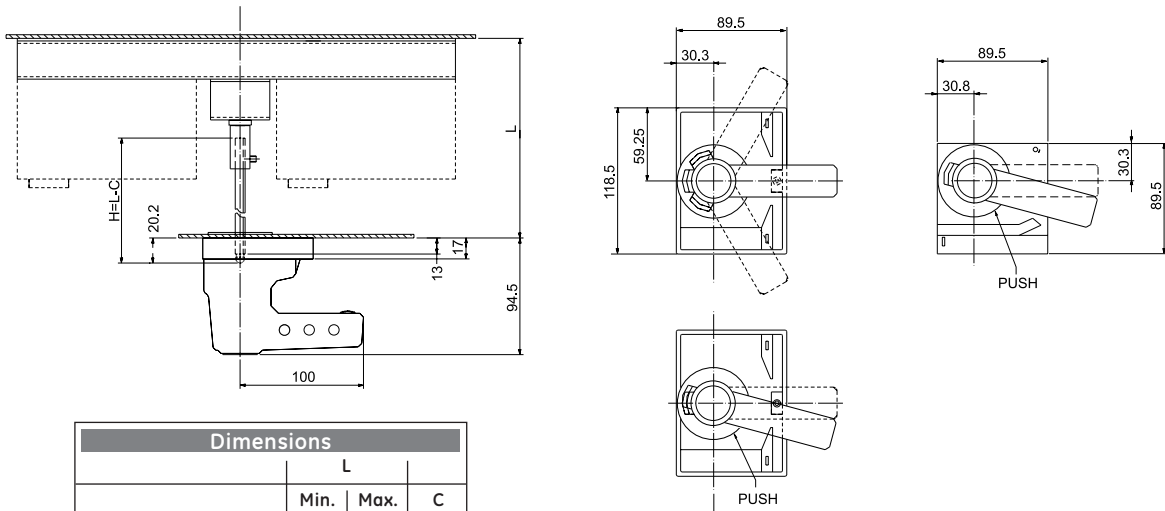
C

D

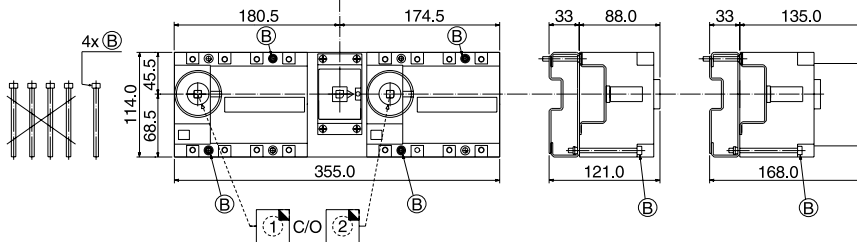
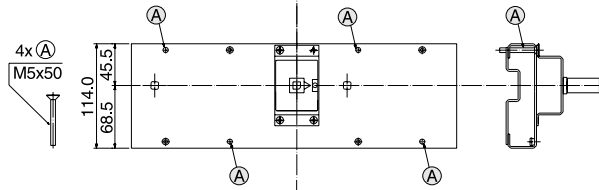
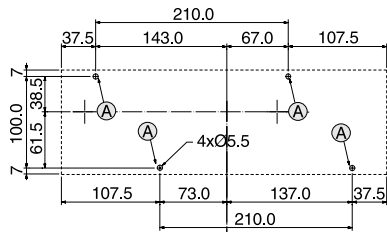
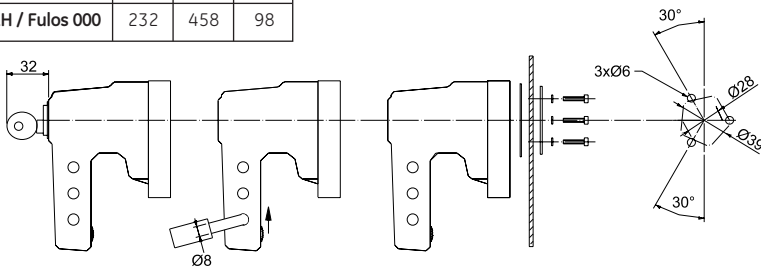
E

X

Changeover (CO) system - 6/8P system - Dilos 1H / Fulos 000



Dimensions			
	L		C
	Min.	Max.	
CO Dilos 1H / Fulos 000	186	458	98
6/8P Dilos 1H / Fulos 000	232	458	98



Dilos/Fulos

A

B

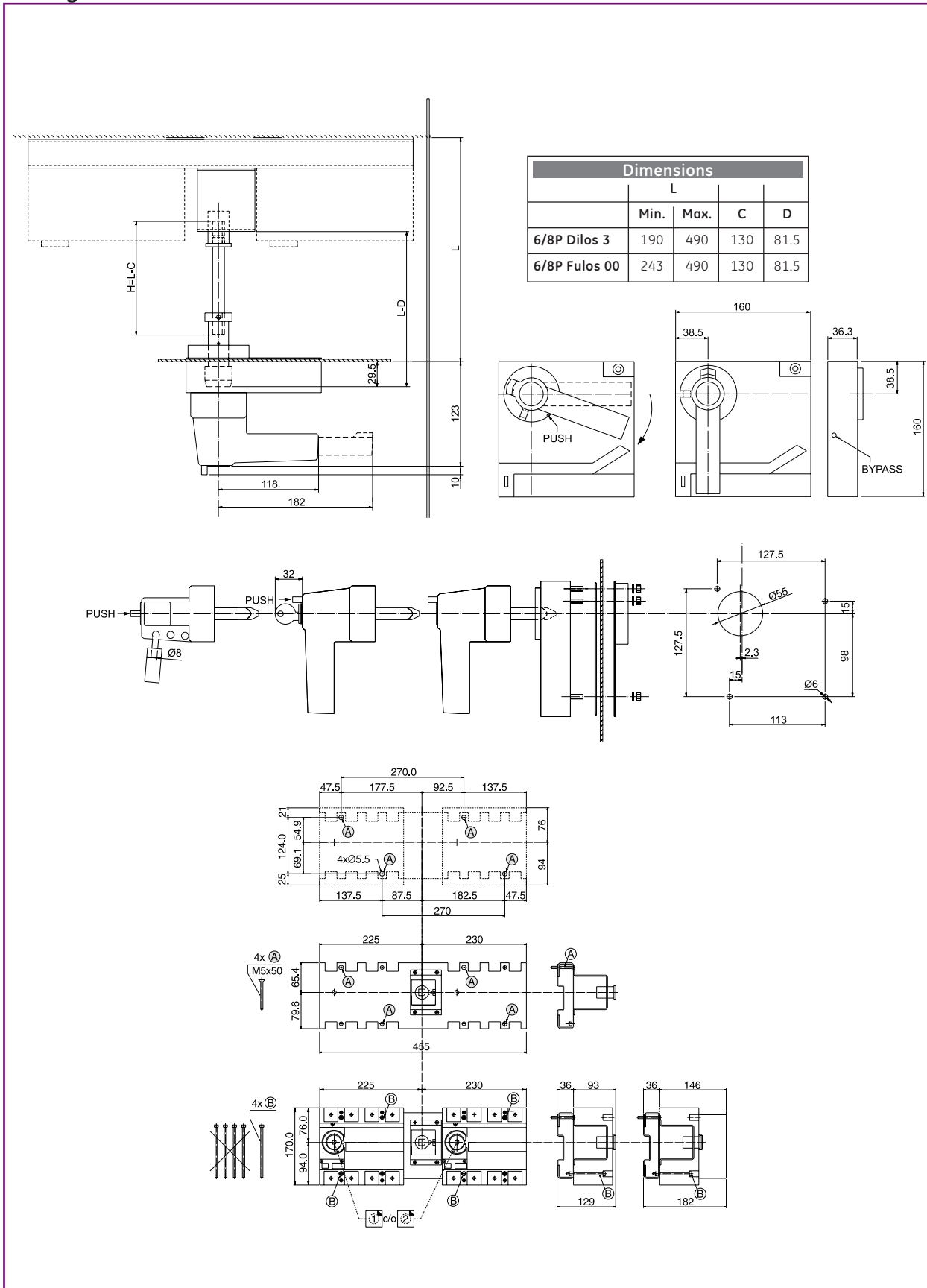
C

D

E

X

6/8P system - Dilos 3 / Fulos 00



Dilos/Fulos

A

B

C

D

E

X



Dimensions

Changeover (CO) system - Dilos 4 - Fulos 1 / 2

Dimensions

A

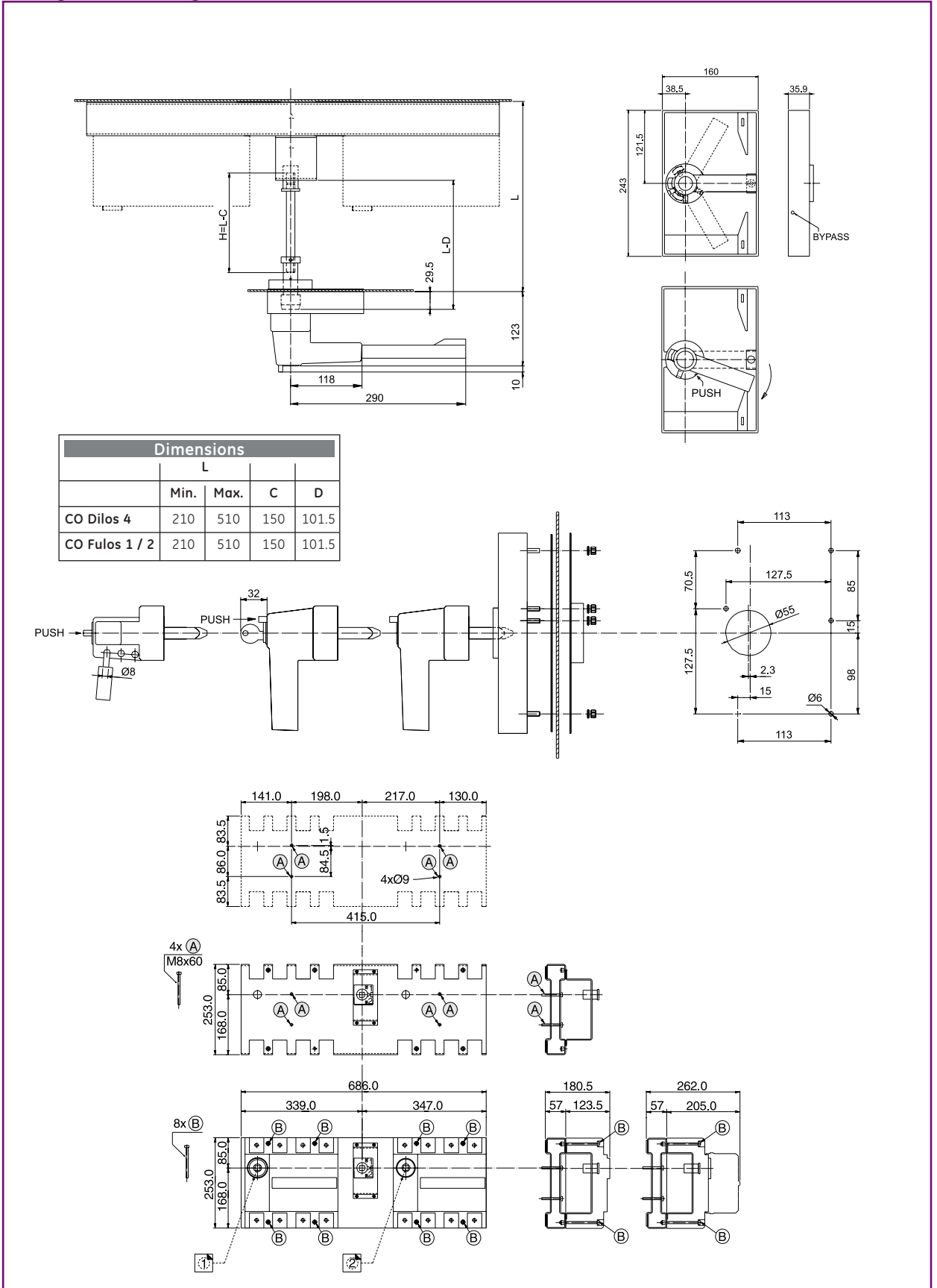
B

C

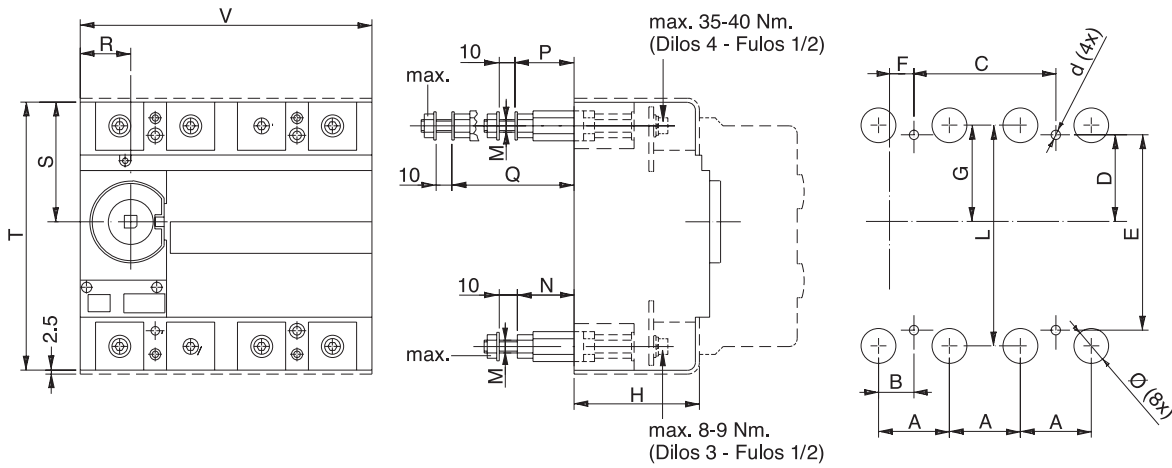
D

E

X

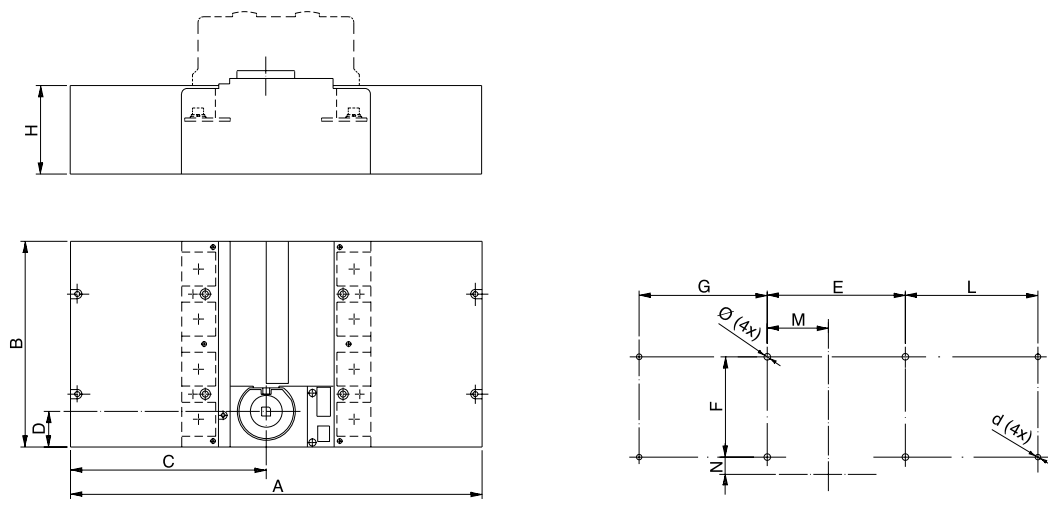


Rear terminals - Dilos 3 / 4 - Fulos 00 / 1 / 2



Dimensions																				
	A	B	C	D	E	F	G	H	L	M	N	∅	d	MAX.	P	Q	R	S	T	V
Dilos 3 - Fulos 00	45	22.5	90	55	124	15.5	61	80	140	M8	36	22	6	6Nm	-	-	32	76	170	185
Dilos 4 - Fulos 1 / 2	65	32.5	130	68.5	220	30	63.5	110	210	M14	-	30	7	19Nm	51	98	35	85	253	260

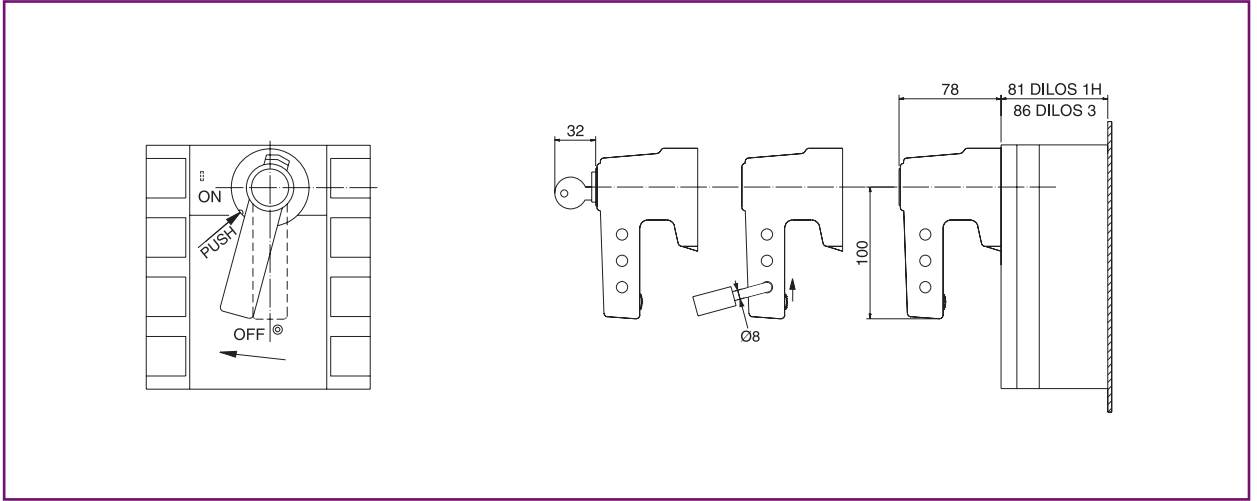
Terminal covers - Dilos 3 / 4 - Fulos 00 / 1 / 2



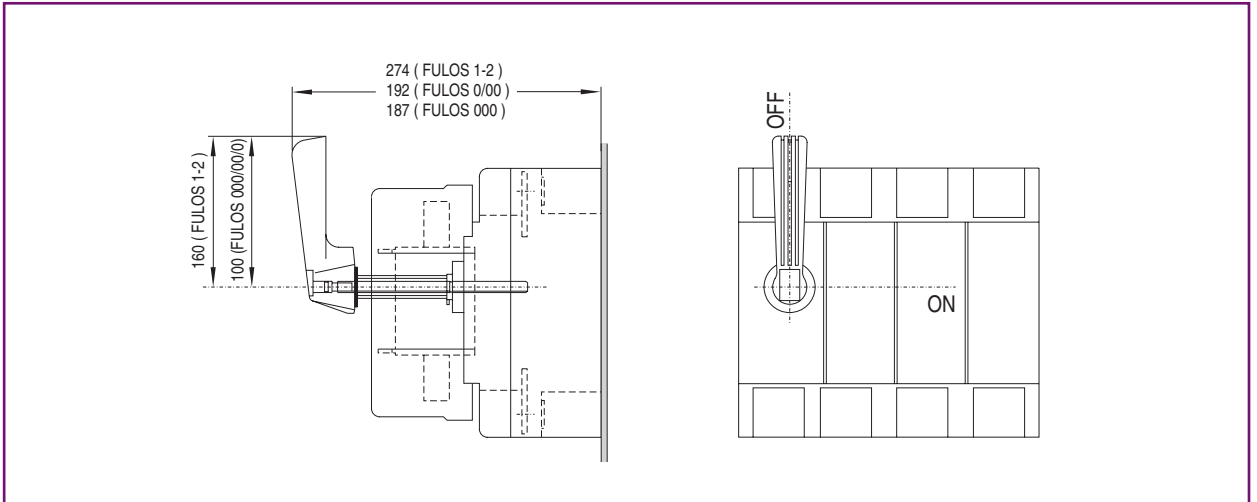
Dimensions												
	A	B	C	D	E	F	G	H	L	M	N	d
Dilos 3 - Fulos 00 Long	370	185	176	32	124	90	115	80	119	55	15.5	6
Dilos 4 - Fulos 1 / 2 Long	433	260	175	35	220	130	100.5	109	100.5	68.5	30	7
Dilos 3 - Fulos 00 Short	250	185	116	32	124	90	55	80	59	65	15.5	6
Dilos 4 - Fulos 1 / 2 Short	363	260	140	35	220	130	73	109	65.5	68.5	30	7

Dimensions

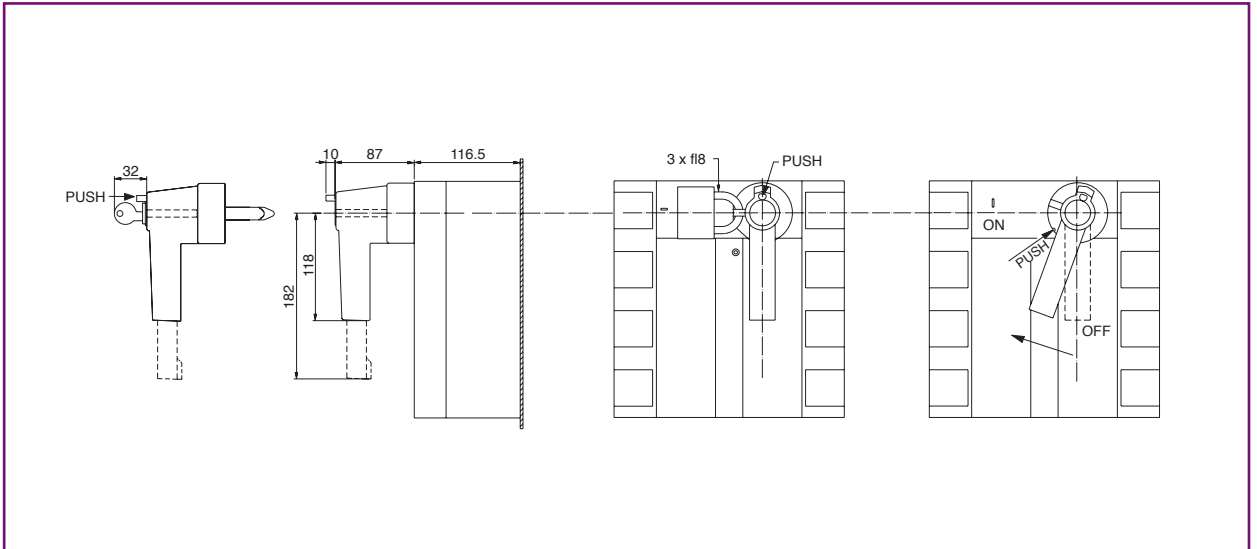
Direct handles for Dilos 1H and Dilos 3



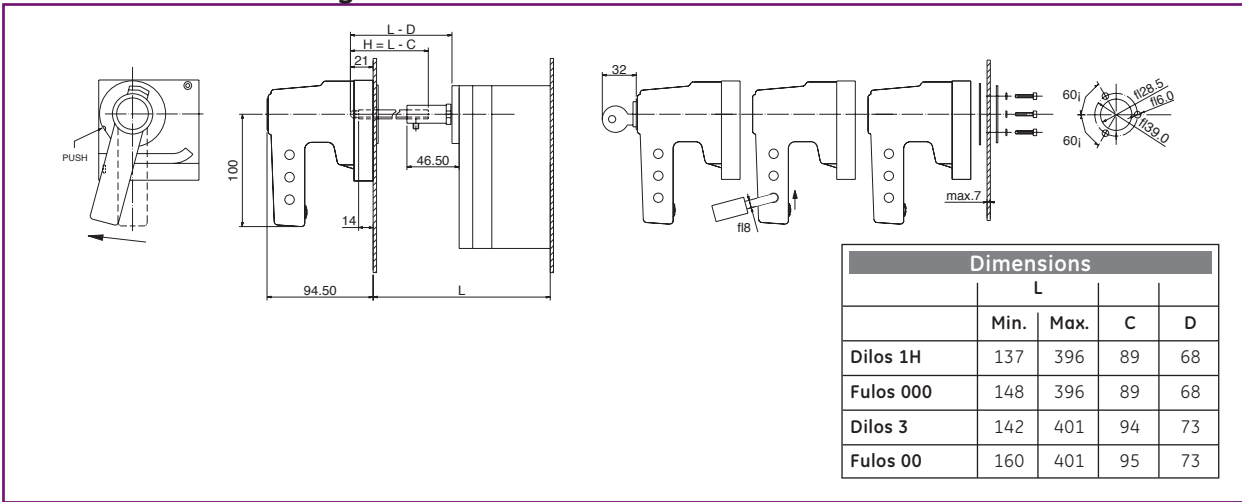
Direct handles for Fulos 000 / 00 / 1 / 2



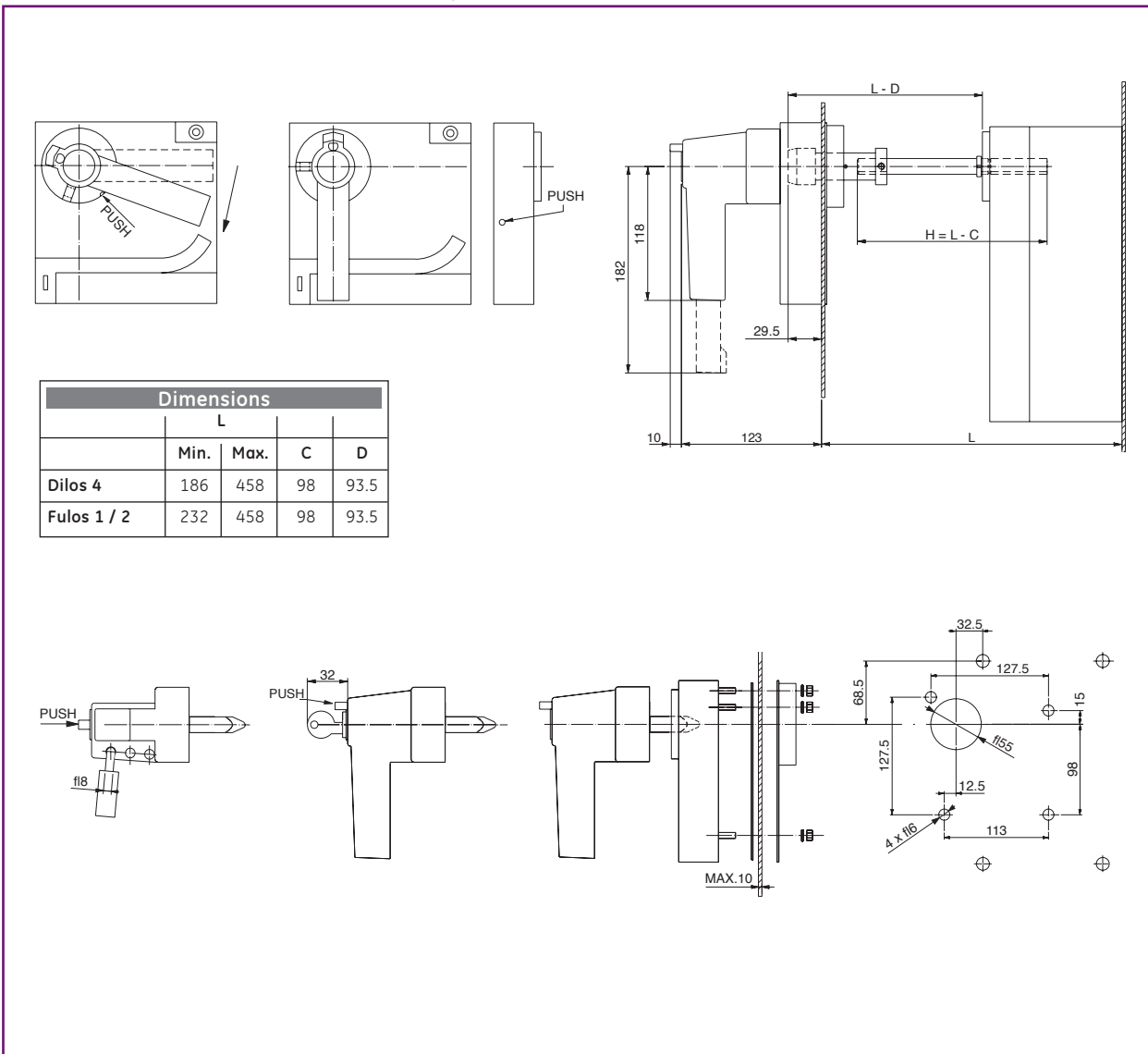
Direct handles for Dilos 4



Handles for cover or hinged door - Dilos 1H / 3 - Fulos 000 / 00



Direct handles for Dilos 4 - Fulos 1 / 2



A

B

C

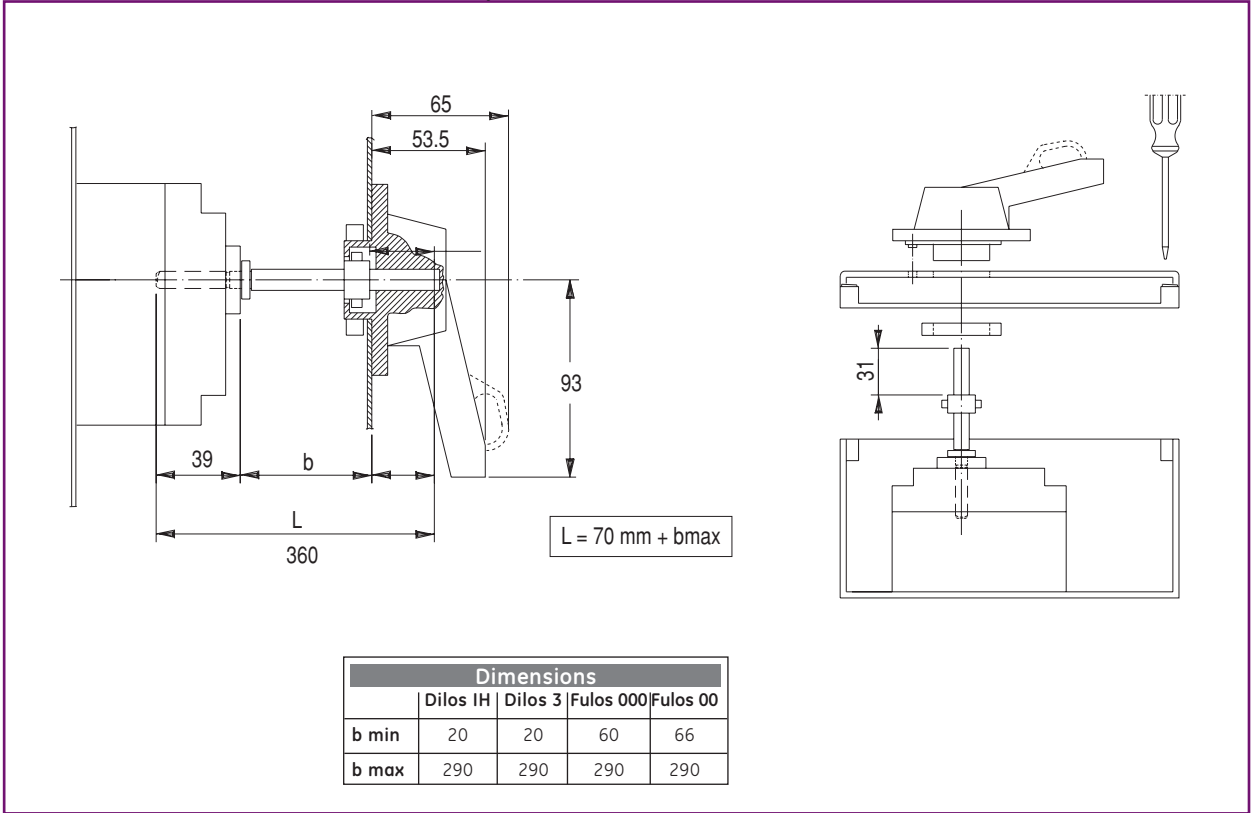
D

E

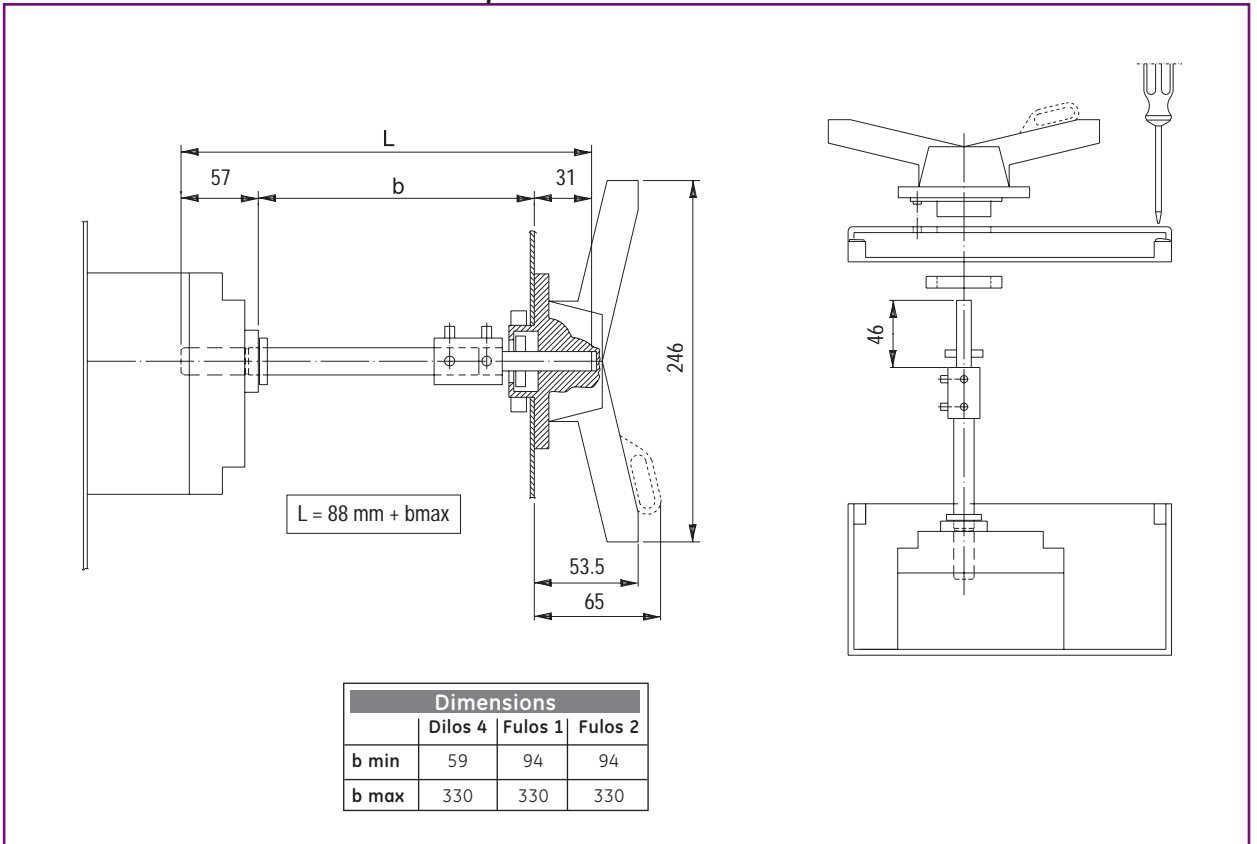
X

Dimensions

Handles for inner door (reduced depth) - Dilos 1H / 3 - Fulos 000 / 00



Handles for inner door (reduced depth) - Dilos 4 - Fulos 1 / 2



Dimensions

A

B

C

D

E

X



		Benefits	A
		Order codes	B
		Technical data	C
		Installation facilities	D
		Dimensions	E
X.2	Numerical index by catalogue number		
X.4	Numerical index by reference number		
		Numerical Index	X



Numerical index by catalogue number

Numerical index

A

B

C

D

E

X

Cat. no.	Ref. no.	Page	Cat. no.	Ref. no.	Page	Cat. no.	Ref. no.	Page	Cat. no.	Ref. no.	Page
D/061...			D/061436-201	730497	B.13	D/061922-030	730281	B.9	D/062920-223	730664	B.11
D/061000-097	730000	B.7	D/061436-203	730498	B.13	D/061940-211	730649	B.11	D/062920-223	730664	B.13
D/061000-097	730000	B.8	D/061437-201	730500	B.13	D/061940-211	730649	B.13	D/062920-223	730664	B.25
D/061000-097	730000	B.9	D/061444-201	730502	B.15	D/061940-213	730650	B.11	D/062920-223	730664	B.27
D/061000-097	730000	B.11	D/061445-201	730504	B.15	D/061940-213	730650	B.13	D/062920-265	730665	B.14
D/061000-097	730000	B.13	D/061446-201	730506	B.15	D/061940-231	730651	B.11	D/062920-265	730665	B.28
D/061000-097	730000	B.25	D/061494-201	730757	B.22	D/061940-231	730651	B.13	D/062920-266	730666	B.14
D/061000-097	730000	B.28	D/061512-201	730185	B.7	D/061940-233	730652	B.11	D/062920-266	730666	B.28
D/061212-201	730004	B.7	D/061514-201	730189	B.7	D/061940-233	730652	B.13	D/062920-267	731348	B.14
D/061214-201	730008	B.7	D/061515-201	730193	B.7	D/061940-252	731538	B.11	D/062920-267	731348	B.28
D/061215-201	730012	B.7	D/061516-201	730197	B.7	D/061940-252	731538	B.13	D/062920-281	730853	B.11
D/061216-201	730016	B.7	D/061517-201	730201	B.7	D/061940-253	731539	B.11	D/062920-281	730853	B.13
D/061217-201	730020	B.7	D/061524-201	730215	B.9	D/061940-253	731539	B.13	D/062920-281	730853	B.25
D/061224-201	730034	B.9	D/061526-201	730223	B.9	D/061950-251	730653	B.15	D/062920-281	730853	B.27
D/061226-201	730042	B.9	D/061530-201	730510	B.11	D/061950-252	731540	B.15	D/062920-283	730854	B.11
D/061301-201	730984	B.3	D/061531-201	730513	B.11	D/061980-271	730975	B.37	D/062920-283	730854	B.13
D/061301-203	731404	B.3	D/061533-201	730516	B.11	D/061990-271	731357	B.22	D/062920-283	730854	B.25
D/061301-251	730985	B.4	D/061534-201	730519	B.13	D/062...			D/062920-283	730854	B.27
D/061302-201	730986	B.3	D/061535-201	730522	B.13	D/062311-201	730560	B.24	D/062921-201	730610	B.14
D/061302-203	731407	B.3	D/061536-201	730525	B.13	D/062311-203	730561	B.24	D/062921-201	730610	B.28
D/061302-251	730987	B.4	D/061537-201	730528	B.13	D/062312-232	731919	B.24	D/062921-202	730611	B.14
D/061303-201	730988	B.3	D/061544-201	730530	B.15	D/062314-201	730821	B.24	D/062921-202	730611	B.28
D/061303-203	731410	B.3	D/061545-201	730532	B.15	D/062321-201	730563	B.27	D/062922-203	730625	B.14
D/061303-251	730989	B.4	D/061546-201	730534	B.15	D/062321-203	730564	B.27	D/062922-203	730625	B.28
D/061304-201	730990	B.3	D/061900-020	730250	B.8	D/062322-241	730822	B.27	D/062922-204	730626	B.14
D/061304-203	731413	B.3	D/061900-020	730250	B.8	D/062322-242	731925	B.27	D/062922-204	730626	B.28
D/061304-251	730991	B.4	D/061900-020	730250	B.9	D/062341-201	730569	B.31	D/062922-213	730627	B.14
D/061312-201	730049	B.7	D/061900-501	730992	B.3	D/062341-203	730570	B.31	D/062922-213	730627	B.28
D/061312-203	730050	B.7	D/061900-601	730996	B.3	D/062342-221	730823	B.31	D/062922-214	730628	B.14
D/061314-201	730055	B.7	D/061900-603	730997	B.3	D/062342-222	731931	B.31	D/062922-214	730628	B.28
D/061314-203	730056	B.7	D/061900-651	730998	B.4	D/062351-201	730572	B.32	D/062922-220	730615	B.14
D/061315-201	730061	B.7	D/061900-653	730999	B.4	D/062352-241	730824	B.32	D/062922-220	730615	B.28
D/061316-201	730067	B.7	D/061901-001	730252	B.7	D/062411-201	730773	B.37	D/062922-221	730616	B.14
D/061316-203	730068	B.7	D/061901-001	730252	B.9	D/062372-211	730827	B.37	D/062922-221	730616	B.28
D/061317-201	730073	B.7	D/061901-001	730252	B.12	D/062411-201	730576	B.24	D/062922-225	730617	B.28
D/061317-203	730074	B.7	D/061901-001	730252	B.14	D/062411-203	730577	B.24	D/062922-226	731459	B.14
D/061324-201	730088	B.9	D/061901-001	730252	B.15	D/062412-232	731921	B.24	D/062922-226	731459	B.28
D/061324-203	730089	B.9	D/061901-001	730252	B.25	D/062414-201	730833	B.24	D/062922-253	730629	B.14
D/061326-201	730096	B.9	D/061901-001	730252	B.28	D/062421-201	730579	B.27	D/062922-253	730629	B.28
D/061326-203	730097	B.9	D/061901-001	730252	B.32	D/062421-203	730580	B.27	D/062922-254	730630	B.14
D/061330-201	730454	B.11	D/061901-001	730252	B.33	D/062422-241	730834	B.27	D/062922-254	730630	B.28
D/061330-203	730455	B.11	D/061901-002	730253	B.7	D/062422-242	731927	B.27	D/062927-202	731056	B.11
D/061331-201	730457	B.11	D/061901-002	730253	B.9	D/062441-201	730585	B.31	D/062927-202	731056	B.13
D/061331-203	730458	B.11	D/061901-002	730253	B.12	D/062441-203	730586	B.31	D/062927-202	731056	B.24
D/061333-201	730460	B.11	D/061901-002	730253	B.14	D/062442-221	730835	B.31	D/062927-202	731056	B.27
D/061333-203	730461	B.11	D/061901-002	730253	B.15	D/062442-222	731933	B.31	D/062927-203	731351	B.11
D/061334-201	730463	B.13	D/061901-002	730253	B.25	D/062451-201	730588	B.32	D/062927-203	731351	B.13
D/061334-203	730464	B.13	D/061901-002	730253	B.28	D/062452-241	730836	B.32	D/062927-203	731351	B.24
D/061335-201	730466	B.13	D/061901-002	730253	B.32	D/062471-201	730777	B.37	D/062927-203	731351	B.27
D/061335-203	730467	B.13	D/061901-002	730253	B.33	D/062472-211	730839	B.37	D/062927-265	731453	B.12
D/061336-201	730469	B.13	D/061901-202	731000	B.3	D/062511-201	730592	B.24	D/062927-265	731453	B.25
D/061336-203	730470	B.13	D/061901-252	731001	B.4	D/062512-232	731923	B.24	D/062927-267	731552	B.12
D/061337-201	730472	B.13	D/061902-220	731002	B.3	D/062514-201	730845	B.24	D/062927-267	731552	B.25
D/061344-201	730474	B.15	D/061902-220	731002	B.4	D/062521-201	730595	B.27	D/062930-251	731420	B.31
D/061345-201	730476	B.15	D/061902-221	731003	B.3	D/062522-241	730846	B.27	D/062930-251	731420	B.33
D/061346-201	730478	B.15	D/061902-221	731003	B.4	D/062522-242	731929	B.27	D/062930-253	731421	B.31
D/061394-201	730743	B.22	D/061903-104	731004	B.3	D/062541-201	730601	B.31	D/062937-265	731455	B.14
D/061412-201	730117	B.7	D/061903-154	731005	B.4	D/062542-221	730847	B.31	D/062937-265	731455	B.28
D/061412-203	730118	B.7	D/061903-204	731006	B.3	D/062542-222	731935	B.31	D/062937-267	731554	B.14
D/061414-201	730123	B.7	D/061903-205	731007	B.3	D/062551-201	730604	B.32	D/062937-267	731554	B.28
D/061414-203	730124	B.7	D/061903-206	731008	B.3	D/062552-241	730848	B.32	D/062940-241	730667	B.15
D/061415-201	730129	B.7	D/061903-254	731009	B.4	D/062910-205	730655	B.12	D/062940-241	730667	B.31
D/061416-201	730135	B.7	D/061903-255	731010	B.4	D/062910-205	730655	B.25	D/062940-241	730667	B.33
D/061416-203	730136	B.7	D/061903-256	731011	B.4	D/062910-206	730656	B.12	D/062940-243	730668	B.31
D/061417-201	730141	B.7	D/061903-304	731012	B.3	D/062910-206	730656	B.25	D/062940-265	730669	B.15
D/061417-203	730142	B.7	D/061903-354	731013	B.4	D/062910-207	731347	B.12	D/062940-265	730669	B.31
D/061419-000	730144	B.8	D/061903-404	731014	B.3	D/062910-207	731347	B.25	D/062940-265	730669	B.33
D/061419-021	731466	B.8	D/061903-454	731015	B.4	D/062910-251	731436	B.24	D/062940-281	730855	B.15
D/061420-200	730805	B.8	D/061910-002	730255	B.7	D/062910-251	731436	B.27	D/062940-281	730855	B.31
D/061421-200	730806	B.8	D/061910-002	730255	B.9	D/062910-253	731437	B.24	D/062940-281	730855	B.33
D/061424-201	730157	B.9	D/061910-004	730256	B.7	D/062910-253	731437	B.27	D/062942-213	730633	B.15
D/061424-203	730158	B.9	D/061910-004	730256	B.9	D/062912-225	730614	B.25	D/062942-213	730633	B.32
D/061426-201	730165	B.9	D/061910-012	730257	B.7	D/062920-201	730661	B.11	D/062942-213	730633	B.33
D/061426-203	730166	B.9	D/061910-012	730257	B.9	D/062920-201	730661	B.13	D/062942-214	730634	B.15
D/061430-201	730482	B.11	D/061910-014	730258	B.7	D/062920-201	730661	B.25	D/062942-214	730634	B.32
D/061430-203	730483	B.11	D/061910-014	730258	B.9	D/062920-201	730661	B.27	D/062942-214	730634	B.33
D/061431-201	730485	B.11	D/061912-004	730260	B.7	D/062920-203	730662	B.11	D/062942-220	730618	B.15
D/061431-203	730486	B.11	D/061912-013	731415	B.7	D/062920-203	730662	B.13	D/062942-220	730618	B.32
D/061433-201	730488	B.11	D/061912-014	731416	B.7	D/062920-203	730662	B.25	D/062942-220	730618	B.33
D/061433-203	730489	B.11	D/061912-020	731024	B.7	D/062920-203	730662	B.27	D/062942-221	730619	B.15
D/061434-201	730491	B.13	D/061912-021	731467	B.8	D/062920-221	730663	B.11	D/062942-221	730619	B.32
D/061434-203	730492	B.13	D/061922-003	730261	B.9	D/062920-221	730663	B.13	D/062942-221	730619	B.33
D/061435-201	730494	B.13	D/061922-004	730262	B.9	D/062920-221	730663	B.25	D/062942-225	7306	

Cat. no.	Ref. no.	Page	Cat. no.	Ref. no.	Page	Cat. no.	Ref. no.	Page
D/062942-226	731461	B.15	D/661467-273	731695	B.39	D/662962-223	731895	B.39
D/062942-226	731461	B.32	D/661467-281	731696	B.42	D/662962-223	731895	B.42
D/062942-226	731461	B.33	D/661467-285	731697	B.43	D/662962-223	731895	B.43
D/062942-253	730635	B.15	D/661471-251	731706	B.19	D/662962-223	731895	B.45
D/062942-253	730635	B.32	D/661471-255	731707	B.45	D/662962-223	731895	B.46
D/062942-253	730635	B.33	D/661471-273	731709	B.39	D/662962-224	731896	B.17
D/062942-254	730636	B.15	D/661471-281	731711	B.42	D/662962-224	731896	B.35
D/062942-254	730636	B.32	D/661471-285	731712	B.43	D/662962-224	731896	B.39
D/062942-254	730636	B.33	D/661482-251	731719	B.19	D/662962-224	731896	B.42
D/062947-202	731352	B.15	D/661482-273	731721	B.39	D/662962-224	731896	B.43
D/062947-202	731352	B.31	D/661482-281	731723	B.42	D/662962-224	731896	B.45
D/062947-202	731352	B.33	D/661485-251	731728	B.19	D/662962-224	731896	B.46
D/062947-203	731353	B.31	D/661485-281	731729	B.42	D/662962-225	731897	B.35
D/062947-265	731457	B.15	D/661565-231	731733	B.17	D/662962-227	731898	B.17
D/062947-265	731457	B.31	D/661565-251	731734	B.17	D/662962-227	731898	B.19
D/062947-265	731457	B.33	D/661566-231	731737	B.17	D/662962-227	731898	B.21
D/062960-240	730857	B.17	D/661566-251	731738	B.17	D/662970-231	731903	B.35
D/062960-240	730857	B.19	D/661567-231	731741	B.17	D/662972-229	731906	B.35
D/062960-240	730857	B.21	D/661567-251	731742	B.17	D/662972-229	731906	B.37
D/062960-240	730857	B.22	D/661665-231	731745	B.46	D/769...		
D/062960-240	730857	B.35	D/661666-231	731747	B.46	D/769080-000	769080	B.11
D/062960-240	730857	B.37	D/661667-231	731749	B.46	D/769080-000	769080	B.13
D/062960-240	730857	B.39	D/661771-251	731752	B.19	D/769080-000	769080	B.15
D/062960-240	730857	B.46	D/661782-251	731754	B.19	D/769080-000	769080	B.25
D/062961-201	730860	B.22	D/661782-255	731755	B.45	D/769080-000	769080	B.27
D/062961-201	730860	B.37	D/661782-285	731756	B.43	P9B...		
D/062961-202	730861	B.22	D/661785-251	731761	B.19	P9B01VR	187003	B.32
D/062961-202	730861	B.37	D/661785-255	731762	B.45	P9B01VR	187003	B.33
D/062970-261	730865	B.37	D/661785-285	731763	B.43	P9B01VR	187003	B.15
D/062972-223	730867	B.37	D/661793-251	731769	B.21	P9B10VN	187002	B.32
D/062972-224	730868	B.37	D/661793-281	731773	B.42	P9B10VN	187002	B.33
D/062972-225	730869	B.37	D/661960-231	731786	B.17	P9B10VN	187002	B.15
D/062972-227	731498	B.22	D/661960-245	731787	B.17	V/333...		
D/062990-261	731359	B.22	D/661960-245	731787	B.35	V/333-013721	652062	B.5
D/661...			D/661960-251	731788	B.17	V/333-013723	652063	B.5
D/661365-231	731570	B.17	D/661960-251	731788	B.19	V/333-013732	652017	B.5
D/661365-251	731571	B.17	D/661960-251	731788	B.21	V/333-013733	652018	B.5
D/661365-255	731572	B.45	D/661970-245	731792	B.19	V/333-013734	652019	B.5
D/661365-273	731574	B.39	D/661971-201	731794	B.17	V/333-013736	652020	B.5
D/661365-281	731575	B.42	D/661971-201	731794	B.19	V/333-013742	652021	B.5
D/661365-285	731576	B.43	D/661971-201	731794	B.21	V/333-013743	652022	B.5
D/661366-231	731584	B.17	D/661971-201	731794	B.35	V/333-013744	652023	B.5
D/661366-251	731585	B.17	D/661971-201	731794	B.45	V/333-013746	652024	B.5
D/661366-255	731586	B.45	D/661971-201	731794	B.46	V/333-013760	652016	B.5
D/661366-273	731588	B.39	D/661971-202	731795	B.17	V/333-013762	652025	B.5
D/661366-281	731589	B.42	D/661971-202	731795	B.19	V/333-013763	652026	B.5
D/661366-285	731590	B.43	D/661971-202	731795	B.21	V/333-013764	652027	B.5
D/661367-231	731557	B.17	D/661971-202	731795	B.35	V/333-013766	652028	B.5
D/661367-251	731601	B.17	D/661971-202	731795	B.45			
D/661367-255	731602	B.45	D/661971-202	731795	B.46			
D/661367-273	731606	B.39	D/661980-245	731798	B.19			
D/661367-281	731607	B.42	D/661990-245	731800	B.21			
D/661367-285	731608	B.43	D/662...					
D/661371-251	731618	B.19	D/662361-231	731815	B.35			
D/661371-255	731619	B.45	D/662361-273	731818	B.39			
D/661371-273	731621	B.39	D/662361-281	731819	B.42			
D/661371-281	731622	B.42	D/662362-231	731825	B.35			
D/661371-285	731625	B.43	D/662362-273	731828	B.39			
D/661382-251	731632	B.19	D/662362-281	731829	B.42			
D/661382-255	731635	B.45	D/662363-273	731838	B.39			
D/661382-273	731637	B.39	D/662363-281	731839	B.42			
D/661382-281	731638	B.42	D/662461-231	731845	B.35			
D/661382-285	731639	B.43	D/662461-273	731848	B.39			
D/661385-251	731646	B.19	D/662461-281	731849	B.42			
D/661385-255	731647	B.45	D/662462-231	731855	B.35			
D/661385-281	731648	B.42	D/662462-273	731858	B.39			
D/661385-285	731649	B.43	D/662462-281	731859	B.42			
D/661393-251	731654	B.21	D/662463-273	731868	B.39			
D/661393-281	731656	B.42	D/662463-281	731869	B.42			
D/661465-231	731662	B.17	D/662960-200	731881	B.21			
D/661465-251	731663	B.17	D/662960-200	731881	B.35			
D/661465-255	731665	B.45	D/662960-200	731881	B.45			
D/661465-273	731667	B.39	D/662960-231	731882	B.17			
D/661465-281	731668	B.42	D/662960-231	731882	B.35			
D/661465-285	731669	B.43	D/662960-232	731883	B.17			
D/661466-231	731677	B.17	D/662960-232	731883	B.35			
D/661466-251	731678	B.17	D/662960-251	731884	B.17			
D/661466-255	731679	B.45	D/662960-251	731884	B.19			
D/661466-273	731681	B.39	D/662960-251	731884	B.21			
D/661466-281	731682	B.42	D/662960-252	731885	B.17			
D/661466-285	731683	B.43	D/662960-252	731885	B.19			
D/661467-231	731691	B.17	D/662960-252	731885	B.21			
D/661467-251	731692	B.17	D/662962-223	731895	B.17			
D/661467-255	731693	B.45	D/662962-223	731895	B.35			

A

B

C

D

E

X



Numerical index by reference number

Numerical index

A

B

C

D

E

X

Ref. no.	Cat. no.	Page	Ref. no.	Cat. no.	Page	Ref. no.	Cat. no.	Page	Ref. no.	Cat. no.	Page
180000			730253	D/061901-002	B.7	730611	D/062921-202	B.14	730805	D/061420-200	B.8
187002	P9B10VN	B.15	730253	D/061901-002	B.9	730611	D/062921-202	B.28	730806	D/061421-200	B.8
187002	P9B10VN	B.32	730253	D/061901-002	B.12	730614	D/062912-225	B.25	730821	D/062314-201	B.24
187002	P9B10VN	B.33	730253	D/061901-002	B.14	730615	D/062922-220	B.14	730822	D/062322-241	B.27
187003	P9B01VR	B.15	730253	D/061901-002	B.15	730615	D/062922-220	B.28	730823	D/062342-221	B.31
187003	P9B01VR	B.32	730253	D/061901-002	B.25	730616	D/062922-221	B.14	730824	D/062352-241	B.32
187003	P9B01VR	B.33	730253	D/061901-002	B.28	730616	D/062922-221	B.28	730827	D/062372-211	B.37
650000			730253	D/061901-002	B.32	730617	D/062922-225	B.28	730833	D/062414-201	B.24
652016	V/333-013760	B.5	730253	D/061901-002	B.33	730618	D/062942-220	B.15	730834	D/062422-241	B.27
652017	V/333-013732	B.5	730255	D/061910-002	B.7	730618	D/062942-220	B.32	730835	D/062442-221	B.31
652018	V/333-013733	B.5	730255	D/061910-002	B.9	730618	D/062942-220	B.33	730836	D/062452-241	B.32
652019	V/333-013734	B.5	730256	D/061910-004	B.7	730619	D/062942-221	B.15	730839	D/062472-211	B.37
652020	V/333-013736	B.5	730256	D/061910-004	B.9	730619	D/062942-221	B.32	730845	D/062514-201	B.24
652021	V/333-013742	B.5	730257	D/061910-012	B.7	730619	D/062942-221	B.33	730846	D/062522-241	B.27
652022	V/333-013743	B.5	730257	D/061910-012	B.9	730620	D/062942-225	B.32	730847	D/062472-211	B.31
652023	V/333-013744	B.5	730258	D/061910-014	B.7	730620	D/062942-225	B.33	730848	D/062552-241	B.32
652024	V/333-013746	B.5	730258	D/061910-014	B.9	730625	D/062922-203	B.14	730853	D/062920-281	B.11
652025	V/333-013762	B.5	730260	D/061912-004	B.7	730625	D/062922-203	B.28	730853	D/062920-281	B.13
652026	V/333-013763	B.5	730261	D/061922-003	B.9	730626	D/062922-204	B.14	730853	D/062920-281	B.25
652027	V/333-013764	B.5	730262	D/061922-004	B.9	730626	D/062922-204	B.28	730853	D/062920-281	B.27
652028	V/333-013766	B.5	730263	D/061922-020	B.9	730627	D/062922-213	B.14	730854	D/062920-283	B.11
652062	V/333-013721	B.5	730281	D/061922-030	B.9	730627	D/062922-213	B.28	730854	D/062920-283	B.13
652063	V/333-013723	B.5	730454	D/061330-201	B.11	730628	D/062922-214	B.14	730854	D/062920-283	B.25
730000			730455	D/061330-203	B.11	730628	D/062922-214	B.28	730854	D/062920-283	B.27
730000	D/061000-097	B.7	730457	D/061331-201	B.11	730629	D/062922-253	B.14	730855	D/062940-281	B.15
730000	D/061000-097	B.8	730458	D/061331-203	B.11	730629	D/062922-253	B.28	730855	D/062940-281	B.31
730000	D/061000-097	B.9	730460	D/061333-201	B.11	730630	D/062922-254	B.14	730855	D/062940-281	B.33
730000	D/061000-097	B.11	730461	D/061333-203	B.11	730630	D/062922-254	B.28	730857	D/062960-240	B.17
730000	D/061000-097	B.13	730463	D/061334-201	B.13	730633	D/062942-213	B.15	730857	D/062960-240	B.19
730000	D/061000-097	B.25	730464	D/061334-203	B.13	730633	D/062942-213	B.32	730857	D/062960-240	B.21
730000	D/061000-097	B.28	730466	D/061335-201	B.13	730633	D/062942-213	B.33	730857	D/062960-240	B.22
730004	D/061212-201	B.7	730467	D/061335-203	B.13	730634	D/062942-214	B.15	730857	D/062960-240	B.35
730008	D/061214-201	B.7	730469	D/061336-201	B.13	730634	D/062942-214	B.32	730857	D/062960-240	B.37
730012	D/061215-201	B.7	730470	D/061336-203	B.13	730634	D/062942-214	B.33	730857	D/062960-240	B.39
730016	D/061216-201	B.7	730472	D/061337-201	B.13	730635	D/062942-253	B.15	730857	D/062960-240	B.46
730020	D/061217-201	B.7	730474	D/061344-201	B.15	730635	D/062942-253	B.32	730860	D/062961-201	B.22
730034	D/061224-201	B.9	730476	D/061345-201	B.15	730635	D/062942-253	B.33	730860	D/062961-201	B.37
730042	D/061226-201	B.9	730478	D/061346-201	B.15	730636	D/062942-254	B.15	730861	D/062961-202	B.22
730049	D/061312-201	B.7	730482	D/061430-201	B.11	730636	D/062942-254	B.32	730861	D/062961-202	B.37
730050	D/061312-203	B.7	730483	D/061430-203	B.11	730636	D/062942-254	B.33	730865	D/062970-261	B.37
730055	D/061314-201	B.7	730485	D/061431-201	B.11	730649	D/061940-211	B.11	730867	D/062972-223	B.37
730056	D/061314-203	B.7	730486	D/061431-203	B.11	730649	D/061940-211	B.13	730868	D/062972-224	B.37
730061	D/061315-201	B.7	730488	D/061433-201	B.11	730650	D/061940-213	B.11	730869	D/062972-225	B.37
730067	D/061316-201	B.7	730489	D/061433-203	B.11	730650	D/061940-213	B.13	730975	D/061980-271	B.37
730068	D/061316-203	B.7	730491	D/061434-201	B.13	730651	D/061940-231	B.11	730984	D/061301-201	B.3
730073	D/061317-201	B.7	730492	D/061434-203	B.13	730651	D/061940-231	B.13	730985	D/061301-251	B.4
730074	D/061317-203	B.7	730494	D/061435-201	B.13	730652	D/061940-233	B.11	730986	D/061302-201	B.3
730088	D/061324-201	B.9	730495	D/061435-203	B.13	730652	D/061940-233	B.13	730987	D/061302-251	B.4
730089	D/061324-203	B.9	730497	D/061436-201	B.13	730653	D/061950-251	B.15	730988	D/061303-201	B.3
730096	D/061326-201	B.9	730498	D/061436-203	B.13	730655	D/062910-205	B.12	730989	D/061303-251	B.4
730097	D/061326-203	B.9	730500	D/061437-201	B.13	730655	D/062910-205	B.25	730990	D/061304-201	B.3
730117	D/061412-201	B.7	730502	D/061444-201	B.15	730656	D/062910-206	B.12	730991	D/061304-251	B.4
730118	D/061412-203	B.7	730504	D/061445-201	B.15	730656	D/062910-206	B.25	730992	D/061900-501	B.3
730123	D/061414-201	B.7	730506	D/061446-201	B.15	730661	D/062920-201	B.11	730996	D/061900-601	B.3
730124	D/061414-203	B.7	730510	D/061530-201	B.11	730661	D/062920-201	B.13	730997	D/061900-603	B.3
730129	D/061415-201	B.7	730513	D/061531-201	B.11	730661	D/062920-201	B.25	730998	D/061900-651	B.4
730135	D/061416-201	B.7	730516	D/061533-201	B.11	730661	D/062920-201	B.27	730999	D/061900-653	B.4
730136	D/061416-203	B.7	730519	D/061534-201	B.13	730662	D/062920-203	B.11	731000	D/061901-202	B.3
730141	D/061417-201	B.7	730522	D/061535-201	B.13	730662	D/062920-203	B.13	731001	D/061901-252	B.4
730142	D/061417-203	B.7	730525	D/061536-201	B.13	730662	D/062920-203	B.25	731002	D/061902-220	B.3
730144	D/061419-000	B.8	730528	D/061537-201	B.13	730662	D/062920-203	B.27	731002	D/061902-220	B.4
730157	D/061424-201	B.9	730530	D/061544-201	B.15	730663	D/062920-221	B.11	731003	D/061902-221	B.3
730158	D/061424-203	B.9	730532	D/061545-201	B.15	730663	D/062920-221	B.13	731003	D/061902-221	B.4
730165	D/061426-201	B.9	730534	D/061546-201	B.15	730663	D/062920-221	B.25	731004	D/061903-104	B.3
730166	D/061426-203	B.9	730560	D/062311-201	B.24	730663	D/062920-221	B.27	731005	D/061903-154	B.4
730185	D/061512-201	B.7	730561	D/062311-203	B.24	730664	D/062920-223	B.11	731006	D/061903-204	B.3
730189	D/061514-201	B.7	730563	D/062321-201	B.27	730664	D/062920-223	B.13	731007	D/061903-205	B.3
730193	D/061515-201	B.7	730564	D/062321-203	B.27	730664	D/062920-223	B.25	731008	D/061903-206	B.3
730197	D/061516-201	B.7	730569	D/062341-201	B.31	730664	D/062920-223	B.27	731009	D/061903-254	B.4
730201	D/061517-201	B.7	730570	D/062341-203	B.31	730665	D/062920-265	B.14	731010	D/061903-255	B.4
730215	D/061524-201	B.9	730572	D/062351-201	B.32	730665	D/062920-265	B.28	731011	D/061903-256	B.4
730223	D/061526-201	B.9	730576	D/062411-201	B.24	730666	D/062920-266	B.14	731012	D/061903-304	B.3
730250	D/061900-020	B.7	730577	D/062411-203	B.24	730666	D/062920-266	B.28	731013	D/061903-354	B.4
730250	D/061900-020	B.8	730579	D/062421-201	B.27	730667	D/062940-241	B.15	731014	D/061903-404	B.3
730250	D/061900-020	B.9	730580	D/062421-203	B.27	730667	D/062940-241	B.31	731015	D/061903-454	B.4
730252	D/061901-001	B.7	730585	D/062441-201	B.31	730667	D/062940-241	B.33	731024	D/061912-020	B.7
730252	D/061901-001	B.9	730586	D/062441-203	B.31	730668	D/062940-243	B.31	731056	D/062927-202	B.11
730252	D/061901-001	B.12	730588	D/062451-201	B.32	730669	D/062940-265	B.15	731056	D/062927-202	B.13
730252	D/061901-001	B.14	730592	D/062511-201	B.24	730669	D/062940-265	B.31	731056	D/062927-202	B.24
730252	D/061901-001	B.15	730595	D/062521-201	B.27	730669	D/062940-265	B.33	731056	D/062927-202	B.27
730252	D/061901-001	B.25	730601	D/062541-201	B.31	730743	D/061394-201	B.22	731347	D/062910-207	B.12
730252	D/061901-001	B.28	730604	D/062551-201	B.32	730757	D/061494-201	B.22	731347	D/062910-207	B.25
730252	D/061901-001	B.32	730610	D/062921-201	B.14	730773	D/062371-201	B.37	731348	D/062920-267	B.14
730252	D/061901-001	B.33	7								

Ref. no.	Cat. no.	Page	Ref. no.	Cat. no.	Page	Ref. no.	Cat. no.	Page
731351	D/062927-203	B.11	731667	D/661465-273	B.39	731882	D/662960-231	B.35
731351	D/062927-203	B.13	731668	D/661465-281	B.42	731883	D/662960-232	B.17
731351	D/062927-203	B.24	731669	D/661465-285	B.43	731883	D/662960-232	B.35
731351	D/062927-203	B.27	731677	D/661466-231	B.17	731884	D/662960-251	B.17
731352	D/062947-202	B.15	731678	D/661466-251	B.17	731884	D/662960-251	B.19
731352	D/062947-202	B.31	731679	D/661466-255	B.45	731884	D/662960-251	B.21
731352	D/062947-202	B.33	731681	D/661466-273	B.39	731885	D/662960-252	B.17
731353	D/062947-203	B.31	731682	D/661466-281	B.42	731885	D/662960-252	B.19
731357	D/061990-271	B.22	731683	D/661466-285	B.43	731885	D/662960-252	B.21
731359	D/062990-261	B.22	731691	D/661467-231	B.17	731895	D/662962-223	B.17
731404	D/061301-203	B.3	731692	D/661467-251	B.17	731895	D/662962-223	B.35
731407	D/061302-203	B.3	731693	D/661467-255	B.45	731895	D/662962-223	B.39
731410	D/061303-203	B.3	731695	D/661467-273	B.39	731895	D/662962-223	B.42
731413	D/061304-203	B.3	731696	D/661467-281	B.42	731895	D/662962-223	B.43
731415	D/061912-013	B.7	731697	D/661467-285	B.43	731895	D/662962-223	B.45
731416	D/061912-014	B.7	731706	D/661471-251	B.19	731895	D/662962-223	B.46
731420	D/062930-251	B.31	731707	D/661471-255	B.45	731896	D/662962-224	B.17
731420	D/062930-251	B.33	731709	D/661471-273	B.39	731896	D/662962-224	B.35
731421	D/062930-253	B.31	731711	D/661471-281	B.42	731896	D/662962-224	B.39
731436	D/062910-251	B.24	731712	D/661471-285	B.43	731896	D/662962-224	B.42
731436	D/062910-251	B.27	731719	D/661482-251	B.19	731896	D/662962-224	B.43
731437	D/062910-253	B.24	731721	D/661482-273	B.39	731896	D/662962-224	B.45
731437	D/062910-253	B.27	731723	D/661482-281	B.42	731896	D/662962-224	B.46
731453	D/062927-265	B.12	731728	D/661485-251	B.19	731897	D/662962-225	B.35
731453	D/062927-265	B.25	731729	D/661485-281	B.42	731898	D/662962-227	B.17
731455	D/062937-265	B.14	731733	D/661565-231	B.17	731898	D/662962-227	B.19
731455	D/062937-265	B.28	731734	D/661565-251	B.17	731898	D/662962-227	B.21
731457	D/062947-265	B.15	731737	D/661566-231	B.17	731903	D/662970-231	B.35
731457	D/062947-265	B.31	731738	D/661566-251	B.17	731906	D/662972-229	B.35
731457	D/062947-265	B.33	731741	D/661567-231	B.17	731906	D/662972-229	B.37
731459	D/062922-226	B.14	731742	D/661567-251	B.17	731919	D/062312-232	B.24
731459	D/062922-226	B.28	731745	D/661665-231	B.46	731921	D/062412-232	B.24
731461	D/062942-226	B.15	731747	D/661666-231	B.46	731923	D/062512-232	B.24
731461	D/062942-226	B.32	731749	D/661667-231	B.46	731925	D/062322-242	B.27
731461	D/062942-226	B.33	731752	D/661771-251	B.19	731927	D/062422-242	B.27
731466	D/061419-021	B.8	731754	D/661782-251	B.19	731929	D/062522-242	B.27
731467	D/061912-021	B.8	731755	D/661782-255	B.45	731931	D/062342-222	B.31
731498	D/062972-227	B.22	731756	D/661782-285	B.43	731933	D/062442-222	B.31
731538	D/061940-252	B.11	731761	D/661785-251	B.19	731935	D/062542-222	B.31
731538	D/061940-252	B.13	731762	D/661785-255	B.45	760000		
731539	D/061940-253	B.11	731763	D/661785-285	B.43	769080	D/769080-000	B.11
731539	D/061940-253	B.13	731769	D/661793-251	B.21	769080	D/769080-000	B.13
731540	D/061950-252	B.15	731773	D/661793-281	B.42	769080	D/769080-000	B.15
731552	D/062927-267	B.12	731786	D/661960-231	B.17	769080	D/769080-000	B.25
731552	D/062927-267	B.25	731787	D/661960-245	B.17	769080	D/769080-000	B.27
731554	D/062937-267	B.14	731787	D/661960-245	B.35			
731554	D/062937-267	B.28	731788	D/661960-251	B.17			
731557	D/661367-231	B.17	731788	D/661960-251	B.19			
731570	D/661365-231	B.17	731788	D/661960-251	B.21			
731571	D/661365-251	B.17	731792	D/661970-245	B.19			
731572	D/661365-255	B.45	731794	D/661971-201	B.17			
731574	D/661365-273	B.39	731794	D/661971-201	B.19			
731575	D/661365-281	B.42	731794	D/661971-201	B.21			
731576	D/661365-285	B.43	731794	D/661971-201	B.35			
731584	D/661366-231	B.17	731794	D/661971-201	B.45			
731585	D/661366-251	B.17	731794	D/661971-201	B.46			
731586	D/661366-255	B.45	731795	D/661971-202	B.17			
731588	D/661366-273	B.39	731795	D/661971-202	B.19			
731589	D/661366-281	B.42	731795	D/661971-202	B.21			
731590	D/661366-285	B.43	731795	D/661971-202	B.35			
731601	D/661367-251	B.17	731795	D/661971-202	B.45			
731602	D/661367-255	B.45	731795	D/661971-202	B.46			
731606	D/661367-273	B.39	731798	D/661980-245	B.19			
731607	D/661367-281	B.42	731800	D/661990-245	B.21			
731608	D/661367-285	B.43	731815	D/662361-231	B.35			
731618	D/661371-251	B.19	731818	D/662361-273	B.39			
731619	D/661371-255	B.45	731819	D/662361-281	B.42			
731621	D/661371-273	B.39	731825	D/662362-231	B.35			
731622	D/661371-281	B.42	731828	D/662362-273	B.39			
731625	D/661371-285	B.43	731829	D/662362-281	B.42			
731632	D/661382-251	B.19	731838	D/662363-273	B.39			
731635	D/661382-255	B.45	731839	D/662363-281	B.42			
731637	D/661382-273	B.39	731845	D/662461-231	B.35			
731638	D/661382-281	B.42	731848	D/662461-273	B.39			
731639	D/661382-285	B.43	731849	D/662461-281	B.42			
731646	D/661385-251	B.19	731855	D/662462-231	B.35			
731647	D/661385-255	B.45	731858	D/662462-273	B.39			
731648	D/661385-281	B.42	731859	D/662462-281	B.42			
731649	D/661385-285	B.43	731868	D/662463-273	B.39			
731654	D/661393-251	B.21	731869	D/662463-281	B.39			
731656	D/661393-281	B.42	731881	D/662960-200	B.21			
731662	D/661465-231	B.17	731881	D/662960-200	B.35			
731663	D/661465-251	B.17	731881	D/662960-200	B.45			
731665	D/661465-255	B.45	731882	D/662960-231	B.17			

The policy of GE Consumer & Industrial is one of continuous improvement.
 The right is reserved to alter the design or any structural details of the products at any time without giving notice.

February 2008

GE Consumer & Industrial



Notes

Numerical index

A

B

C

D

E

X

Grid of dots for notes



Industrial Solutions, a division of GE Energy, is a first class European supplier of low-voltage products including wiring devices, residential and industrial electrical distribution components, automation products, enclosures and switchboards. Demand for the company's products comes from, wholesalers, installers, panel-board builders, contractors, OEMs and utilities worldwide.


www.ge.com/ex/industrialsolutions
www.ge.com/eu/industrialsolutions

GE Energy
Industrial Solutions
Nieuwevaart 51
B-9000 Gent - Belgium
Tel. +32/9 265 21 11
Fax +32/9 265 28 00
E-mail: gepcb@gepc.ge.com

GE POWER CONTROLS Ltd
129-135 Camp Road
St Albans
Herts AL1 5HL
United Kingdom
Customer Service
Tel. 0800 587 1251
Fax 0800 587 1239
gepcuk@gepc.ge.com



GE imagination at work